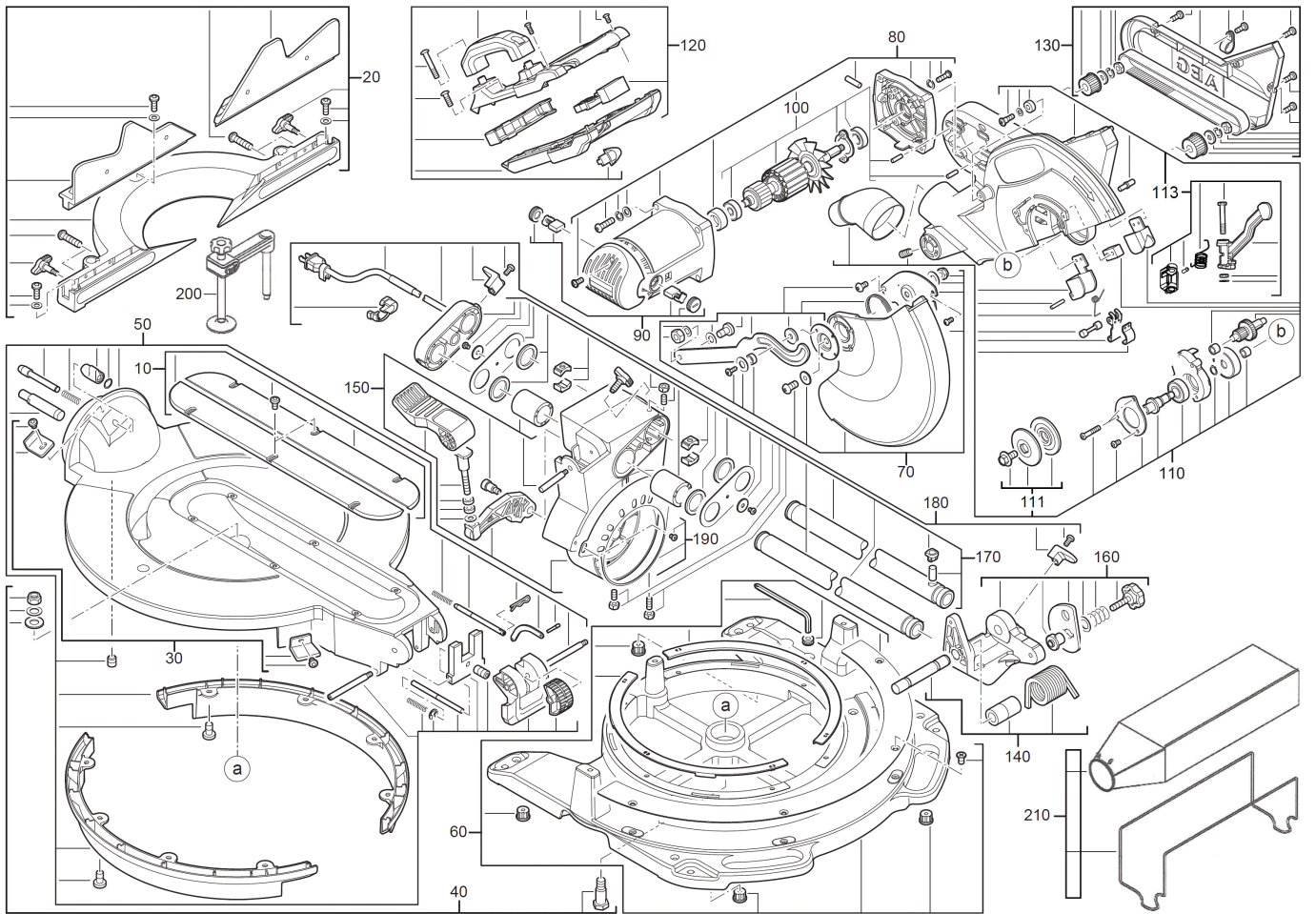


# PS305DG KAPP-U. GEHRUNGSSAEGE IN2

4935411570 - PS305DG - 4000411571





| Position | Quantity | Description                   | Part number                   | EAN           |
|----------|----------|-------------------------------|-------------------------------|---------------|
| 0010 1   | 1        | EINLEGETEIL                   | Item discontinued(101603701)  |               |
| 0020 2   | 1        | ABDECKUNG                     | Item discontinued(101603702)  |               |
| 0030 3   | 1        | ANZEIGERING                   | Item discontinued(101603703)  |               |
| 0040 4   | 1        | SCHRAUBENSET                  | Item discontinued(101603704)  |               |
| 0050 5   | 1        | TISCH                         | Item discontinued(101603705)  |               |
| 0060 6   | 1        | GRUNDPLATTE                   | Item discontinued(101603706)  |               |
| 0070 7   | 1        | SCHUTZ                        | Item discontinued(101603710)  |               |
| 0080 8   | 1        | MOTOREINHEIT                  | Item discontinued(101603720)  |               |
| 0090 9   | 1        | KOHLEBUERSTEN-SET             | Item discontinued(101603620)  |               |
| 0100 10  | 1        | ANKER F.ELEKTROMOTOR          | Item discontinued(101603622)  |               |
| 0110 11  | 1        | SCHUTZHAUBEN-SET              | Item discontinued(101603730)  |               |
| 0111 12  | 1        | SPANNSET MIT LASEREINRICHTUNG | Item discontinued(4931446566) |               |
| 0113 13  | 1        | VERRIEGELUNGSHEBEL            | Item discontinued(4931446568) |               |
| 0120 14  | 1        | HANDGRIFF-SET                 | Item discontinued(101603740)  |               |
| 0130 15  | 1        | RIEMEN                        | Item discontinued(101603750)  |               |
| 0140 16  | 1        | REPARATURSATZ                 | 101603760                     | 4002395795239 |
| 0150 17  | 1        | ACHSE                         | Item discontinued(101603771)  |               |
| 0160 18  | 1        | HALTER                        | Item discontinued(101603772)  |               |
| 0170 19  | 1        | SCHLAUCH                      | Item discontinued(101603773)  |               |
| 0180 20  | 1        | ANSCHLUSSLEITUNG              | Item discontinued(101603780)  |               |
| 0190 21  | 1        | ANZEIGERING                   | Item discontinued(101603790)  |               |
| 0200 22  | 1        | KLEMMSTUECK                   | Item discontinued(101603803)  |               |
| 0210 23  | 1        | STAUBABSAUGVORRTG             | Item discontinued(101603800)  |               |