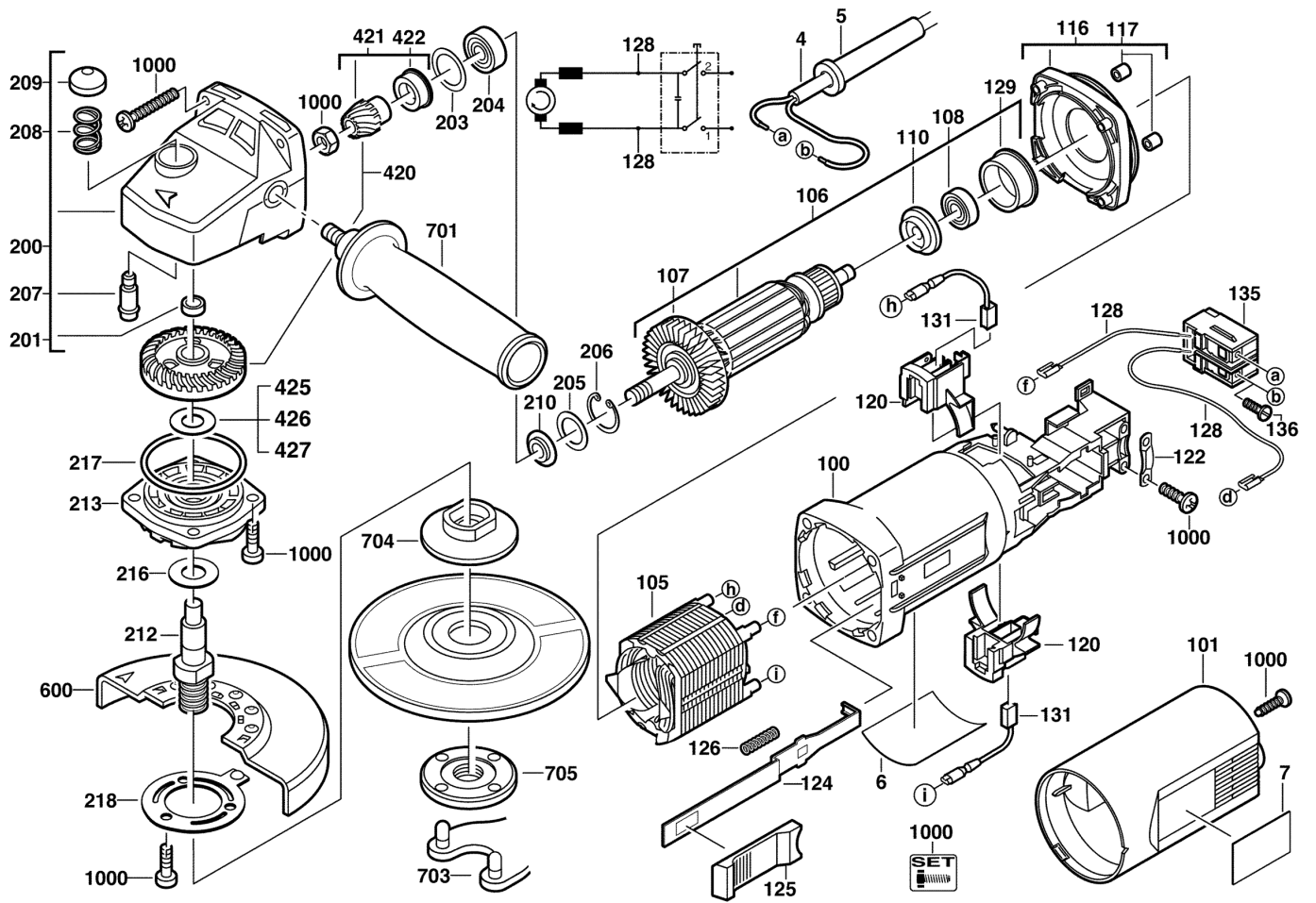


WS1200/125 WINKELSCHLEIFER SNP IN2

4935412704 - WS1200-125 - 4000412705





| Position | Quantity | Description | Part number | EAN |
|----------|----------|--------------------------------------|-------------------------------|---------------|
| 0004 1 | 1 | ANSCHLUSSLEITUNG | 4931623861 | 4002395704293 |
| 0005 2 | 1 | KABELSCHUTZSCHLAUCH | 4931218785 | 4002395583805 |
| 0006 3 | 1 | LEISTUNGSSCHILD | Item discontinued(4931412710) | |
| 0007 4 | 1 | FIRMENSCHILD | 4931412064 | 4002395906529 |
| 0100 5 | 1 | MOTORGEHAEUSE ZAP-OR | 4931412699 | 4002395793457 |
| 0101 6 | 1 | GEHAEUSEKAPPE | Item discontinued(4931412698) | |
| 0105 7 | 1 | FELD 240V | Item discontinued(4931369044) | |
| 0106 8 | 1 | ANKER F.ELEKTROMOTOR | Item discontinued(4931362685) | |
| 0107 9 | 1 | VENTILATOR | 4931341088 | 4002395626205 |
| 0108 10 | 1 | D 625 KULA 627-2RSL TN9/C3HGWF4 | 4931624662 | 4002395790890 |
| 0110 11 | 1 | ISOLIERSCHEIBE | 4931271823 | 4002395588138 |
| 0116 12 | 1 | ZWISCHENFLANSCH | 4931369787 | 4002395674190 |
| 0117 13 | 2 | NIEDERHALTER | 4931409768 | 4002395847617 |
| 0120 14 | 2 | BUERSTENHALTER | 4931326923 | 4002395607778 |
| 0122 15 | 1 | KABELSCHELLE | 4931256500 | 4002395586547 |
| 0124 16 | 1 | FUEHRUNGSSTUECK | 4931326959 | 4002395607877 |
| 0125 17 | 1 | SCHIEBER | 4931442821 | 4002395254293 |
| 0126 18 | 1 | DRUCKFEDER | 4931326981 | 4002395607945 |
| 0128 19 | 2 | LEITUNG | 4931624660 | 4002395819607 |
| 0129 20 | 1 | LAGERBUECHSE | 4931326953 | 4002395607846 |
| 0131 21 | 1 | KOHLEBUERSTEN-SET | 4931381391 | 4002395726936 |
| 0135 22 | 1 | SCHALTER | 4931326976 | 4002395607938 |
| 0136 23 | 2 | SCHRAUBE | 4931617313 | 4002395694761 |
| 0200 24 | 1 | GETRIEBEKASTEN | 4931412193 | 4002395798919 |
| 0201 25 | 1 | Nadelhuelse | 4931912093 | 4002395706464 |
| 0203 26 | 1 | SCHEIBE | 4931362085 | 4002395660254 |
| 0204 27 | 1 | RILLENKUGELLAGER | 4931368037 | 4002395670642 |
| 0205 28 | 1 | SCHEIBE | 4931622761 | 4002395699056 |
| 0206 29 | 1 | SPERRING | 4931616614 | 4002395694624 |
| 0207 30 | 1 | ARRETIERBOLZEN | 4931326929 | 4002395607785 |
| 0208 31 | 1 | DRUCKFEDER | 4931326942 | 4002395607822 |
| 0209 32 | 1 | DRUECKER | 4931326930 | 4002395607792 |
| 0210 33 | 1 | SCHEIBE | 4931624287 | 4002395732098 |
| 0212 34 | 1 | SPINDEL | 4931409808 | 4002395837168 |
| 0213 35 | 1 | LAGERSCHILD | 4931378310 | 4002395683789 |
| 0216 36 | 1 | SCHEIBE | 4931623480 | 4002395702398 |
| 0217 37 | 1 | DICHTRING | 4931623590 | 4002395702992 |
| 0218 38 | 1 | FEDERSCHEIBE | 4931345965 | 4002395633623 |
| 0420 39 | 1 | KEGELRADPAAR | 4931369937 | 4002395674510 |
| 0421 40 | 1 | RITZEL | 4931369937 | 4002395674510 |
| 0422 41 | 1 | DICHTRING | 4931369774 | 4002395674169 |
| 0425 42 | 1 | SCHEIBE | 4931808473 | 4002395727544 |
| 0426 43 | 1 | SCHEIBE | 4931925940 | 4002395706624 |
| 0427 44 | 1 | SCHEIBE | 4931624256 | 4002395723379 |
| 0600 45 | 1 | SCHUTZHAUBE 125 | 4931403578 | 4002395798544 |
| 1000 46 | 1 | SCHRAUBENSET | 4931362846 | 4002395661695 |
| 0703 47 | 1 | STIRNLOCHSCHLUeSSEL GERADE B35 D3116 | 4932367712 | 4002395338467 |
| 0705 48 | 1 | FLANSCHMUTTER M14 3MM | 4932345628 | 4002395313105 |