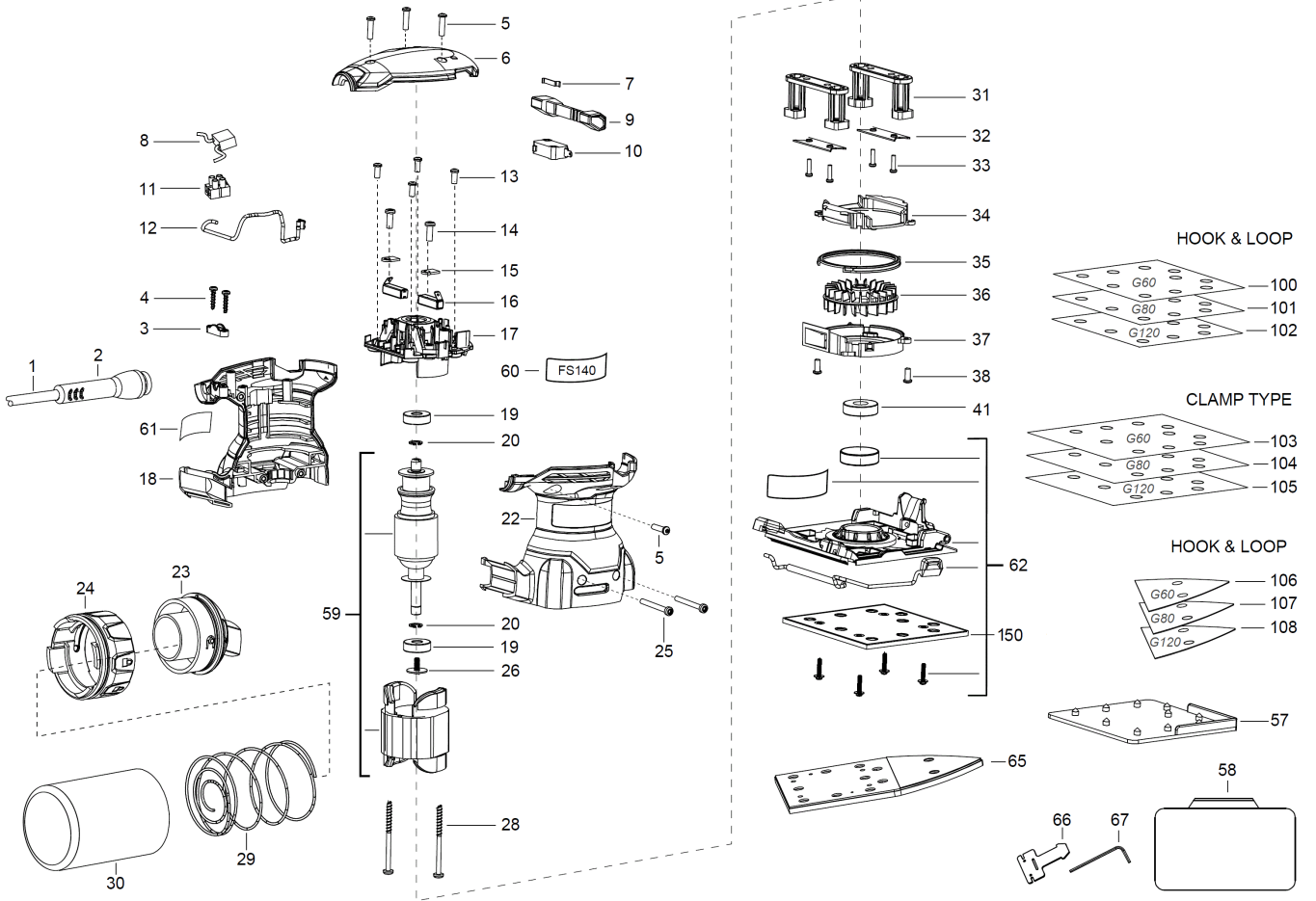


# FDS140 DELTASCHLEIFER IN2

4935416090 - FDS140 - 4000428470





Position	Quantity	Description	Part number	EAN
0001 1	1	ANSCHLUSSLEITUNG	Item discontinued(730351054)	
0002 2	1	KABELSCHUTZSCHLAUCH	Item discontinued(560363001)	
0003 3	1	KABELKLEMME	Item discontinued(590924003)	
0004 4	1	SCHRAUBE M3,5 Torx 15	Item discontinued(660031021)	
0005 5	1	SCHRAUBE 8-18 L5/8 T15	Item discontinued(660370001)	
0006 6	1	ABDECKUNG	Item discontinued(520363002)	
0007 7	1	FEDER	630674001	4002395831531
0008 8	1	KONDENSATOR	Item discontinued(820865007)	
0009 9	1	KNOPF	520426002	4002395894345
0010 10	1	SCHALTER	Item discontinued(760227006)	
0011 11	1	TERMINAL BLOCK	Item discontinued(1000039861)	
0012 12	1	KABELSET	290061239	4002395830947
0013 13	1	SCHRAUBE 6-19 Torx 15 L7/16	Item discontinued(660372004)	
0014 14	1	SCHRAUBE 8-16 L o,50 T20	Item discontinued(660371002)	
0015 15	1	KOHLEHALTER	Item discontinued(630801001)	
0016 16	2	KOHLEBUERSTE	290484001	4002395830978
0017 17	1	KLEMMSTUECK	Item discontinued(520411002)	
0018 18	1	GEHAEUSE	Item discontinued(520365002)	
0019 19	1	KUGELLAGER	Item discontinued(5131011963)	
0020 20	1	SPRENGRING	Item discontinued(5131010669)	
0022 21	1	GEHAEUSE	Item discontinued(520364002)	
0023 22	1	ADAPTER	Item discontinued(350434001)	
0024 23	1	RAHMEN	Item discontinued(350408002)	
0025 24	1	SCHRAUBEM4 Torx 20	Item discontinued(660422008)	
0026 25	1	SCHRAUBE 8-32	660369006	4002395831647
0028 26	1	SCHRAUBE M3,5	Item discontinued(660435007)	
0029 27	1	FEDER	Item discontinued(672399001)	
0030 28	1	STAUBBEUTEL	901547004	4002395831838
0031 29	1	DRUCKSTUECK	301859002	4002395830985
0032 30	1	REDUZIERSTUECK	631955001	4002395831555
0033 31	1	SCHRAUBE M3x12	660004017	4002395831609
0034 32	1	ABDECKUNG	Item discontinued(520431001)	
0035 33	1	RING	Item discontinued(520432001)	
0036 34	1	VENTILATOR	641570002	4002395831593
0037 35	1	FUEHRUNGSSTUECK	Item discontinued(520433001)	
0038 36	1	SCHRAUBE 6-19 Torx 15	Item discontinued(660367004)	
0041 37	1	KUGELLAGER	681053001	4002395831883
0057 38	1	STOESSEL	520512001	4002395831135
0058 39	1	TASCHE	Item discontinued(901474004)	
0059 40	1	MOTOR KOMPLETT	Item discontinued(290450001)	
0060 41	1	LEISTUNGSSCHILD	4931428473	4002395844128
0061 42	1	FIRMENSCHILD	4931413099	4002395840595
0062 43	1	GRUNDPLATTE	201237027	4002395843657
0065 44	1	GRUNDPLATTE	304344001	4002395843664
0066 45	1	Schlueselhalter	Item discontinued(560088001)	
0067 46	1	SECHSKANTSCHLUESSEL	Item discontinued(681302001)	
0150 47	1	SCHLEIFTELLER	4931511355	4058546652111
0100 48	1	SCHLEIFPAPIER 115X107MM K60 KLETT (10)	Item discontinued(4932352420)	
0101 49	1	SCHLEIFPAPIER 115X107MM K80 KLETT (10)	Item discontinued(4932352421)	
0102 50	1	SCHLEIFPAPIER 115X107MM K120 KLETT (10)	Item discontinued(4932352422)	

Position	Quantity	Description	Part number	EAN
0103 51	1	SCHLEIFPAPIER 115X140MM K60 (10)	Item discontinued(4932352424)	
0104 52	1	SCHLEIFPAPIER 115X140MM K80 (10)	Item discontinued(4932352425)	
0105 53	1	SCHLEIFPAPIER 115X140MM K120 (10)	Item discontinued(4932352426)	
0106 54	1	SCHLEIFPAPIER 110X88MM K60 (10)	Item discontinued(4932352925)	
0107 55	1	SCHLEIFPAPIER 110X88MM K80 (10)	Item discontinued(4932352926)	
0108 56	1	SCHLEIFPAPIER 110X88MM K120 (10)	Item discontinued(4932352927)	