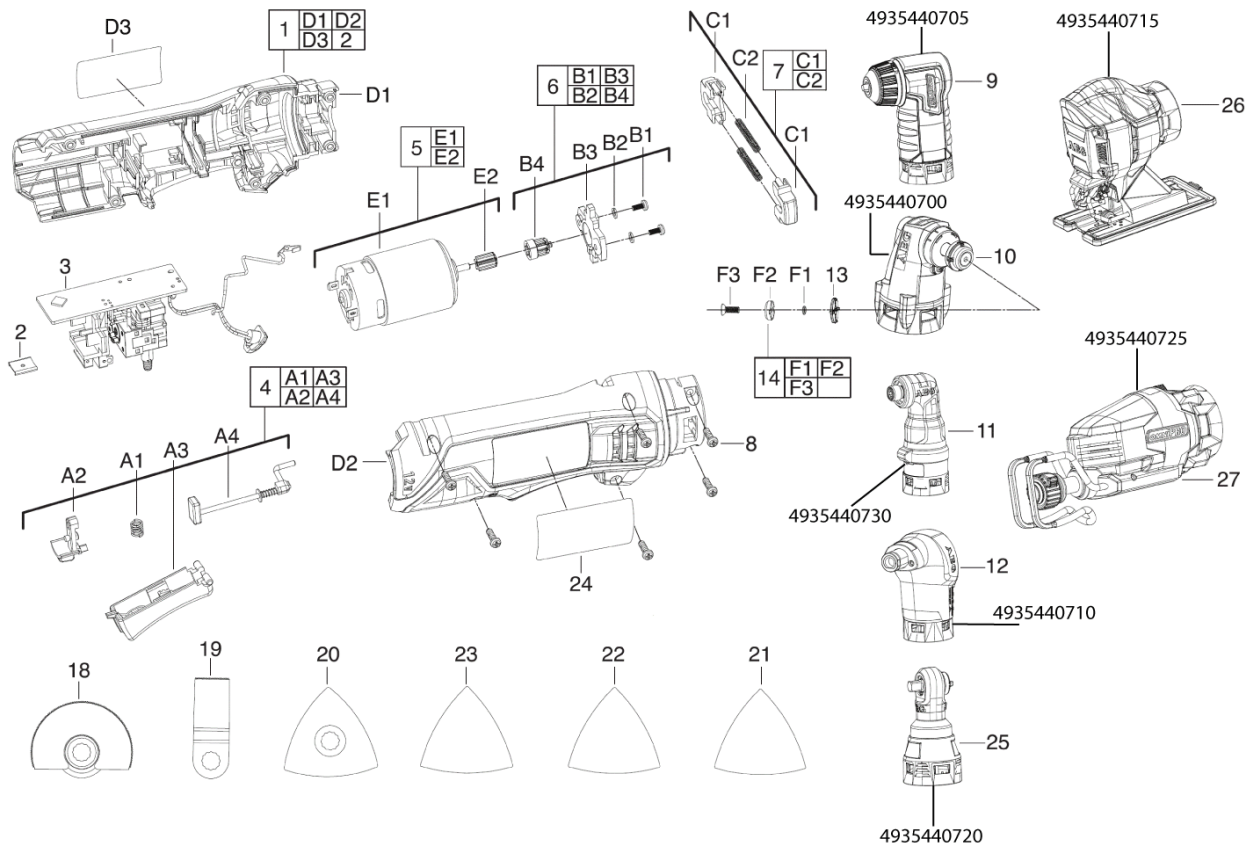


# OMNI12CLI-152B-KIT2 MULTITOOLO IN2

4935440770 - OMNI12CLI-152B-KIT2 - 4000440745





Position	Quantity	Description	Part number	EAN
0001 1	1	HANDGRIFF-SET	4931431837	4002395897667
0002 2	1	VERBINDUNGS-STUECK	631542001	4002395822591
0003 3	1	SCHALTER M.ELEKTRO.	Item discontinued(4931431839)	
0004 4	1	SCHALTER	201583001	4002395840007
0005 5	1	MOTOREINHEIT	Item discontinued(230317001)	
0006 6	1	MONTAGESATZ	201584001	4002395840014
0007 7	1	DRUECKER	201585001	4002395840021
0008 8	1	SCHRAUBE	660815002	4002395840052
0009 9	1	FOR PARTS SEE ORIGIN PRODUCT	888888	
0010 10	1	FOR PARTS SEE ORIGIN PRODUCT	888888	
0011 11	1	FOR PARTS SEE ORIGIN PRODUCT	888888	
0012 12	1	FOR PARTS SEE ORIGIN PRODUCT	888888	
0013 13	1	ADAPTER	692496002	4002395840397
0014 14	1	HUELSE	201671001	4002395840120
0018 15	1	SAEGBLATT	Item discontinued(681457002)	
0024 16	1	LEISTUNGSSCHILD	Item discontinued(4931440848)	
0025 17	1	FOR PARTS SEE ORIGIN PRODUCT	888888	
0026 18	1	FOR PARTS SEE ORIGIN PRODUCT	888888	
0027 19	1	FOR PARTS SEE ORIGIN PRODUCT	888888	
0019 20	1	TAUCHSAeGEBLATT BI-METALL MULTITOOL (2)	Item discontinued(4932352613)	
0020 21	1	SCHLEIFPLATTE 80X80MM	Item discontinued(4932352429)	
0021 22	1	SCHLEIFPAPIER MT ABR80X80 G60 P10A	Item discontinued(4932352671)	
0022 23	1	SCHLEIFPAPIER MT ABR80X80 G80 P10A	Item discontinued(4932352672)	
0023 24	1	SCHLEIFPAPIER MT ABR80X80 G120 P10A XXX	Item discontinued(4932352673)	