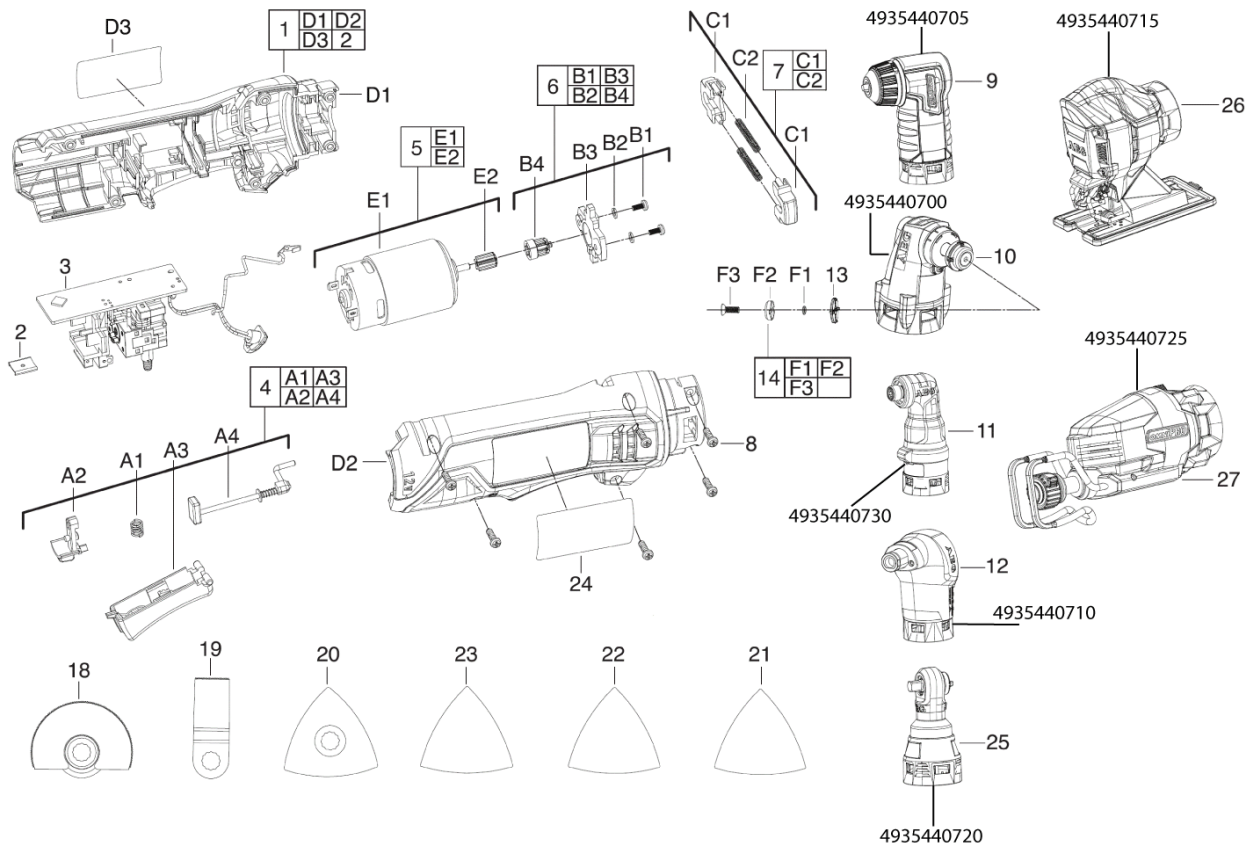


# OMNI12CLI-152B-KIT3 AK.WECHSELKOPFM. IN2

4935440780 - OMNI12CLI-152B-KIT3 - 4000440745





| Position | Quantity | Description                             | Part number                   | EAN           |
|----------|----------|---|-------------------------------|---------------|
| 0001 1   | 1        | HANDGRIFF-SET                           | 4931431837                    | 4002395897667 |
| 0002 2   | 1        | VERBINDUNGS-STUECK                      | 631542001                     | 4002395822591 |
| 0003 3   | 1        | SCHALTER M.ELEKTRO.                     | Item discontinued(4931431839) |               |
| 0004 4   | 1        | SCHALTER                                | 201583001                     | 4002395840007 |
| 0005 5   | 1        | MOTOREINHEIT                            | Item discontinued(230317001)  |               |
| 0006 6   | 1        | MONTAGESATZ                             | 201584001                     | 4002395840014 |
| 0007 7   | 1        | DRUECKER                                | 201585001                     | 4002395840021 |
| 0008 8   | 1        | SCHRAUBE                                | 660815002                     | 4002395840052 |
| 0009 9   | 1        | FOR PARTS SEE ORIGIN PRODUCT            | 888888                        |               |
| 0010 10  | 1        | FOR PARTS SEE ORIGIN PRODUCT            | 888888                        |               |
| 0011 11  | 1        | FOR PARTS SEE ORIGIN PRODUCT            | 888888                        |               |
| 0012 12  | 1        | FOR PARTS SEE ORIGIN PRODUCT            | 888888                        |               |
| 0013 13  | 1        | ADAPTER                                 | 692496002                     | 4002395840397 |
| 0014 14  | 1        | HUELSE                                  | 201671001                     | 4002395840120 |
| 0018 15  | 1        | SAEGBLATT                               | Item discontinued(681457002)  |               |
| 0024 16  | 1        | LEISTUNGSSCHILD                         | Item discontinued(4931440848) |               |
| 0025 17  | 1        | FOR PARTS SEE ORIGIN PRODUCT            | 888888                        |               |
| 0026 18  | 1        | FOR PARTS SEE ORIGIN PRODUCT            | 888888                        |               |
| 0027 19  | 1        | FOR PARTS SEE ORIGIN PRODUCT            | 888888                        |               |
| 0019 20  | 1        | TAUCHSAeGEBLATT BI-METALL MULTITOOL (2) | Item discontinued(4932352613) |               |
| 0020 21  | 1        | SCHLEIFPLATTE 80X80MM                   | Item discontinued(4932352429) |               |
| 0021 22  | 1        | SCHLEIFPAPIER MT ABR80X80 G60 P10A      | Item discontinued(4932352671) |               |
| 0022 23  | 1        | SCHLEIFPAPIER MT ABR80X80 G80 P10A      | Item discontinued(4932352672) |               |
| 0023 24  | 1        | SCHLEIFPAPIER MT ABR80X80 G120 P10A XXX | Item discontinued(4932352673) |               |