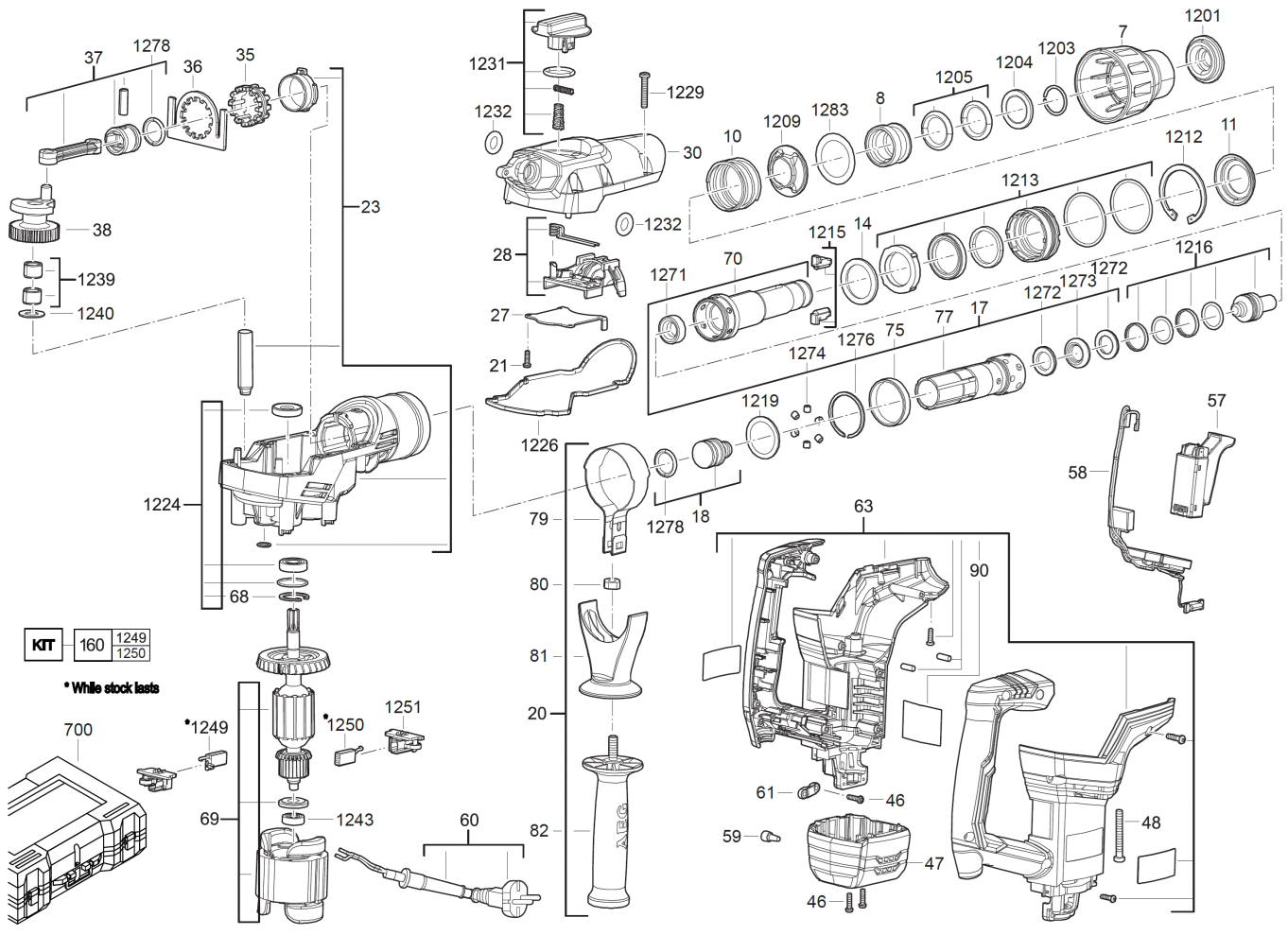


# MH5G MEISSELHAMMER IN2

4935443170 - MH5G - 4000443171





| Position | Quantity | Description          | Part number                   | EAN           |
|----------|----------|----------------------|-------------------------------|---------------|
| 0007 1   | 1        | VERRIEGEL.-HUELSE    | 4931435355                    | 4002395889150 |
| 0008 2   | 1        | VERRIEGEL.-HUELSE    | Item discontinued(4931435356) |               |
| 0010 3   | 1        | FEDER                | 4931435140                    | 4002395859245 |
| 0011 4   | 1        | PLATTE               | 633152001                     | 4002395857708 |
| 0014 5   | 1        | O-RING               | 4931435143                    | 4002395859276 |
| 0017 6   | 1        | SPINDELHUELSE        | 4931435146                    | 4002395859900 |
| 0018 7   | 1        | DOEPPER              | 4931435147                    | 4002395859917 |
| 0020 8   | 1        | ZUSATZHANDGRIFF      | 4931435357                    | 4002395889174 |
| 0021 9   | 3        | SCHRAUBE             | 4931435150                    | 4002395859948 |
| 0023 10  | 1        | GETRIEBEBAUSATZ      | Item discontinued(4931446168) |               |
| 0027 11  | 1        | BUERSTENHALTER       | Item discontinued(4931446170) |               |
| 0028 12  | 1        | GABEL                | 4931446171                    | 4002395886647 |
| 0030 13  | 1        | GETRIEBEBEDECKEL     | Item discontinued(4931446172) |               |
| 0035 14  | 1        | HUELSE               | 4931435164                    | 4002395860784 |
| 0036 15  | 1        | VERRIEGEL.-PLATTE    | 4931435165                    | 4002395860791 |
| 0037 16  | 1        | Pleuelstange         | 4931435166                    | 4002395860609 |
| 0038 17  | 1        | Kurbelrad            | 4931435167                    | 4002395860616 |
| 0046 18  | 4        | SCHRAUBE             | 660024018                     | 4002395823741 |
| 0047 19  | 1        | MOTORABDECKUNG       | Item discontinued(4931435361) |               |
| 0048 20  | 4        | SCHRAUBE             | Item discontinued(4931435362) |               |
| 0057 21  | 1        | SCHALTER             | Item discontinued(4931446174) |               |
| 0058 22  | 1        | ELECTRONIK-BAUSTEIN  | 4931435364                    | 4002395889839 |
| 0059 23  | 1        | VERBINDUNGSSTUECK    | 790009001                     | 4002395772445 |
| 0060 24  | 1        | ANSCHLUSSLEITUNG     | 4931435187                    | 4002395858606 |
| 0061 25  | 1        | KABELKLEMME          | 4931435190                    | 4002395858637 |
| 0063 26  | 1        | GEHAEUSE             | Item discontinued(4931446175) |               |
| 0068 27  | 1        | SICHERUNGSRING       | 4931435192                    | 4002395858651 |
| 0069 28  | 1        | ANKER F.ELEKTROMOTOR | 4931435366                    | 4002395889853 |
| 0070 29  | 1        | MITNEHMER            | 4931435195                    | 4002395858682 |
| 0075 30  | 1        | RING                 | 4931435200                    | 4002395859337 |
| 0077 31  | 1        | SPINDELHUELSE        | 4931435202                    | 4002395859351 |
| 0079 32  | 1        | KLEMME               | 4931435204                    | 4002395859375 |
| 0080 33  | 1        | MUTTER               | 4931435205                    | 4002395859382 |
| 0081 34  | 1        | HALTER               | 4931435367                    | 4002395889860 |
| 0082 35  | 1        | HANDGRIFF KOMPL.     | Item discontinued(4931435368) |               |
| 0090 36  | 1        | LEISTUNGSSCHILD      | Item discontinued(4931446176) |               |
| 0160 37  | 1        | KOHLEBUERSTE         | 4931435179                    | 4002395857937 |
| 0700 38  | 1        | TRANSPORTKOFFER      | 4931435370                    | 4002395889891 |
| 1200 39  | 1        | WARTUNGSSET          | 4931446716                    | 4002395879038 |
| 1201 40  | 1        | GUMMIKAPPE           | 4931435353                    | 4002395889136 |
| 1203 41  | 1        | HALTERING            | 4931435134                    | 4002395858583 |
| 1204 42  | 1        | DRUCKSCHEIBE         | 4931435135                    | 4002395858590 |
| 1205 43  | 2        | O-RING               | 4931435354                    | 4002395889143 |
| 1209 44  | 1        | HALTEPLATTE          | 4931466761                    | 4058546279783 |
| 1212 45  | 1        | SICHERUNGSRING       | 4931435141                    | 4002395859252 |
| 1213 46  | 1        | LAGERSCHILD          | 4931435142                    | 4002395859269 |
| 1215 47  | 2        | MITNEHMER            | 4931435144                    | 4002395859283 |
| 1216 48  | 1        | SCHLAGKOERPER        | 4931435145                    | 4002395859290 |
| 1219 49  | 1        | SCHEIBE              | 4931435148                    | 4002395859924 |
| 1224 50  | 1        | DICHTRING            | 4931435929                    | 4002395888313 |

| Position | Quantity | Description    | Part number                   | EAN           |
|----------|----------|----------------|-------------------------------|---------------|
| 1226 51  | 1        | DICHTUNG       | 4931435155                    | 4002395859993 |
| 1229 52  | 6        | SCHRAUBE       | 4931435158                    | 4002395860722 |
| 1231 53  | 1        | SCHALTER       | Item discontinued(4931446173) |               |
| 1232 54  | 2        | DAEMPFUNGSRING | Item discontinued(4931435360) |               |
| 1239 55  | 2        | NADELLAGER     | 4931435168                    | 4002395860623 |
| 1240 56  | 1        | SCHEIBE        | 4931435169                    | 4002395860630 |
| 1243 57  | 1        | KUGELLAGER     | 4931435170                    | 4002395860647 |
| 1249 58  | 1        | KOHLEBUERSTE   | 4931435177                    | 4002395857913 |
| 1250 59  | 1        | KOHLEBUERSTE   | 4931435179                    | 4002395857937 |
| 1251 60  | 2        | BUERSTENHALTER | 4931435363                    | 4002395889822 |
| 1271 61  | 1        | BREMSRING      | 4931435196                    | 4002395858699 |
| 1272 62  | 2        | RING           | 4931435197                    | 4002395859306 |
| 1273 63  | 1        | RING           | 4931435198                    | 4002395859313 |
| 1274 64  | 6        | STIFT          | 4931435199                    | 4002395859320 |
| 1276 65  | 1        | SCHEIBE        | 4931435201                    | 4002395859344 |
| 1278 66  | 2        | Kolbenring     | 4931435203                    | 4002395859368 |
| 1283 67  | 1        | SCHEIBE        | 4931431199                    | 4002395858736 |