

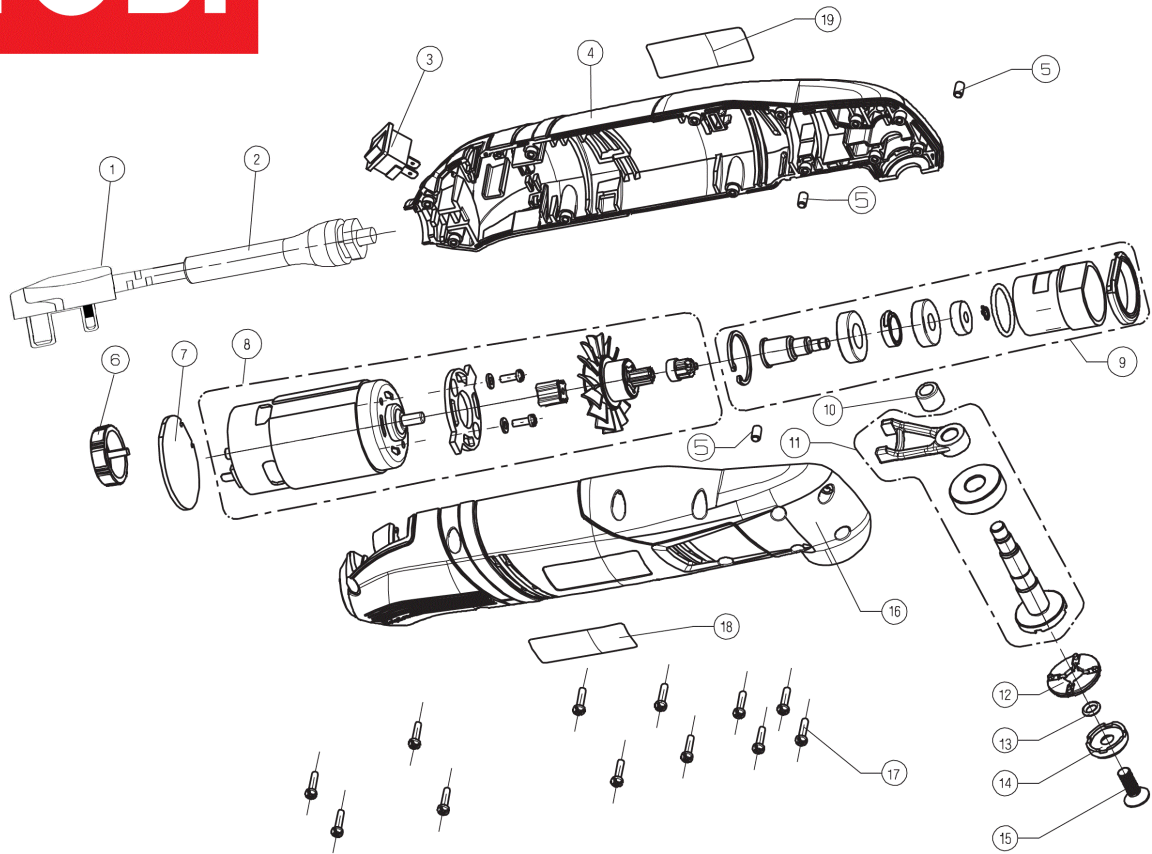
RMT200-SA44 200W Multi Tool GB2

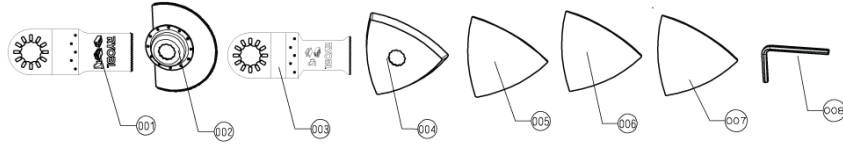
5133001888 - RMT200-SA44 - 4000444006





RMT200T





Position	Quantity	Description	Part number	EAN
1_001 1	1	ELEKTRISCHES KABEL	Item discontinued(5131198035)	
1_002 2	1	KNICKSCHUTZ	Item discontinued(5131031140)	
1_003 3	1	SCHALTER M.ELEKTRO.	5131031081	4058546127558
1_004 4	1	MOTORGEHAEUSE-LINKS	5131198036	4002395164813
1_005 5	3	ANSCHLAG	Item discontinued(5131017424)	
1_006 6	1	DREHZAHLREGLER	Item discontinued(5131031082)	
1_007 7	1	LEITERPLATTE	Item discontinued(5131031083)	
1_008 8	1	MOTOREINHEIT	5131031084	4058546127589
1_009 9	1	Antriebswelle	5131031085	4058546127596
1_010 10	1	NADELLAGER	5131031086	4058546127602
1_011 11	1	GETRIEBEWELLE	Item discontinued(5131031087)	
1_012 12	1	GETRIEBELAGERSCHILD	5131031088	4058546127626
1_013 13	1	O-RING	5131030183	4058546122911
1_014 14	1	HUELSE	5131030182	4058546122904
1_015 15	1	SCHRAUBE	5131030118	4058546122553
1_016 16	1	MOTORGEHAEUSE-RECHTS	Item discontinued(5131198053)	
1_017 17	12	SCHRAUBE	5131031089	4058546127633
1_018 18	1	ETIKETT	Item discontinued(5131031961)	
1_019 19	1	ETIKETT	Item discontinued(5131031091)	
2_001 20	3	KLINGE	5131036582	4002395166275
2_002 21	3	KLINGE	5131036583	4002395166282
2_003 22	3	KLINGE	Item discontinued(5131036584)	
2_004 23	1	GRUNDPLATTE	5131030957	4058546126919
2_005 24	3	SCHLEIFPAPIER 60G	4932352671	4002395373291
2_006 25	4	SCHLEIFPAPIER 80G	4932352672	4002395373307
2_007 26	3	SCHLEIFPAPIER 120G	4932352673	4002395373314
2_008 27	1	T-SCHLUESSEL	5131029524	4058546002091