

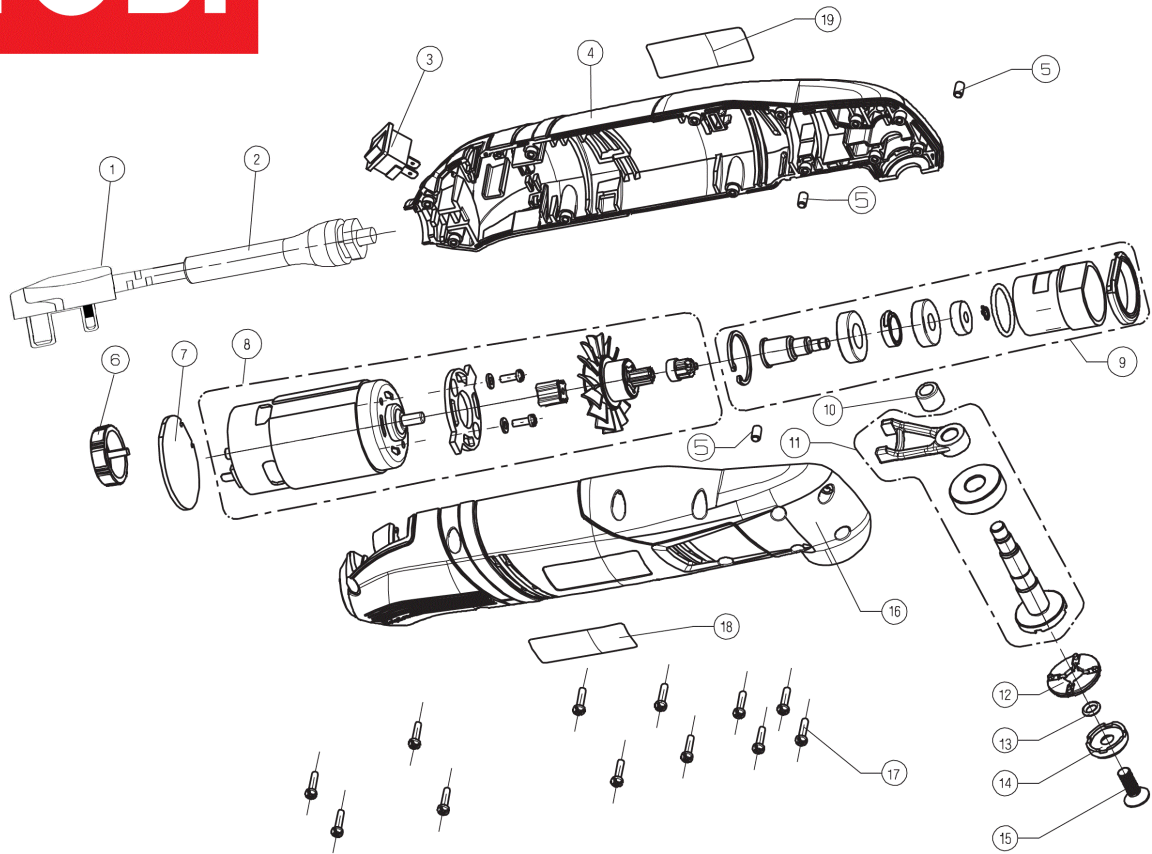
RMT200DQP MULTITOOL 200W BQ

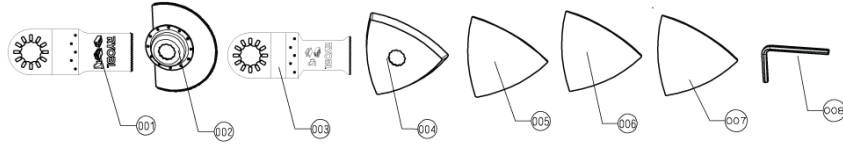
5133002072 - RMT200DQP - 4000444006





RMT200T





| Position | Quantity | Description | Part number | EAN |
|----------|----------|----------------------|-------------------------------|---------------|
| 1_001 1 | 1 | ELEKTRISCHES KABEL | Item discontinued(5131198035) | |
| 1_002 2 | 1 | KNICKSCHUTZ | Item discontinued(5131031140) | |
| 1_003 3 | 1 | SCHALTER M.ELEKTRO. | 5131031081 | 4058546127558 |
| 1_004 4 | 1 | MOTORGEHAEUSE-LINKS | 5131198036 | 4002395164813 |
| 1_005 5 | 3 | ANSCHLAG | Item discontinued(5131017424) | |
| 1_006 6 | 1 | DREHZAHLREGLER | Item discontinued(5131031082) | |
| 1_007 7 | 1 | LEITERPLATTE | Item discontinued(5131031083) | |
| 1_008 8 | 1 | MOTOREINHEIT | 5131031084 | 4058546127589 |
| 1_009 9 | 1 | Antriebswelle | 5131031085 | 4058546127596 |
| 1_010 10 | 1 | NADELLAGER | 5131031086 | 4058546127602 |
| 1_011 11 | 1 | GETRIEBEWELLE | Item discontinued(5131031087) | |
| 1_012 12 | 1 | GETRIEBELAGERSCHILD | 5131031088 | 4058546127626 |
| 1_013 13 | 1 | O-RING | 5131030183 | 4058546122911 |
| 1_014 14 | 1 | HUELSE | 5131030182 | 4058546122904 |
| 1_015 15 | 1 | SCHRAUBE | 5131030118 | 4058546122553 |
| 1_016 16 | 1 | MOTORGEHAEUSE-RECHTS | Item discontinued(5131198053) | |
| 1_017 17 | 12 | SCHRAUBE | 5131031089 | 4058546127633 |
| 1_018 18 | 1 | ETIKETT | Item discontinued(5131031961) | |
| 1_019 19 | 1 | ETIKETT | Item discontinued(5131031091) | |
| 2_001 20 | 3 | KLINGE | 5131036582 | 4002395166275 |
| 2_002 21 | 3 | KLINGE | 5131036583 | 4002395166282 |
| 2_003 22 | 3 | KLINGE | Item discontinued(5131036584) | |
| 2_004 23 | 1 | GRUNDPLATTE | 5131030957 | 4058546126919 |
| 2_005 24 | 3 | SCHLEIFPAPIER 60G | 4932352671 | 4002395373291 |
| 2_006 25 | 4 | SCHLEIFPAPIER 80G | 4932352672 | 4002395373307 |
| 2_007 26 | 3 | SCHLEIFPAPIER 120G | 4932352673 | 4002395373314 |
| 2_008 27 | 1 | T-SCHLUESSEL | 5131029524 | 4058546002091 |