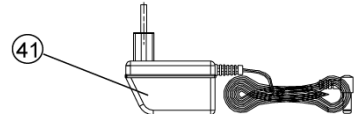
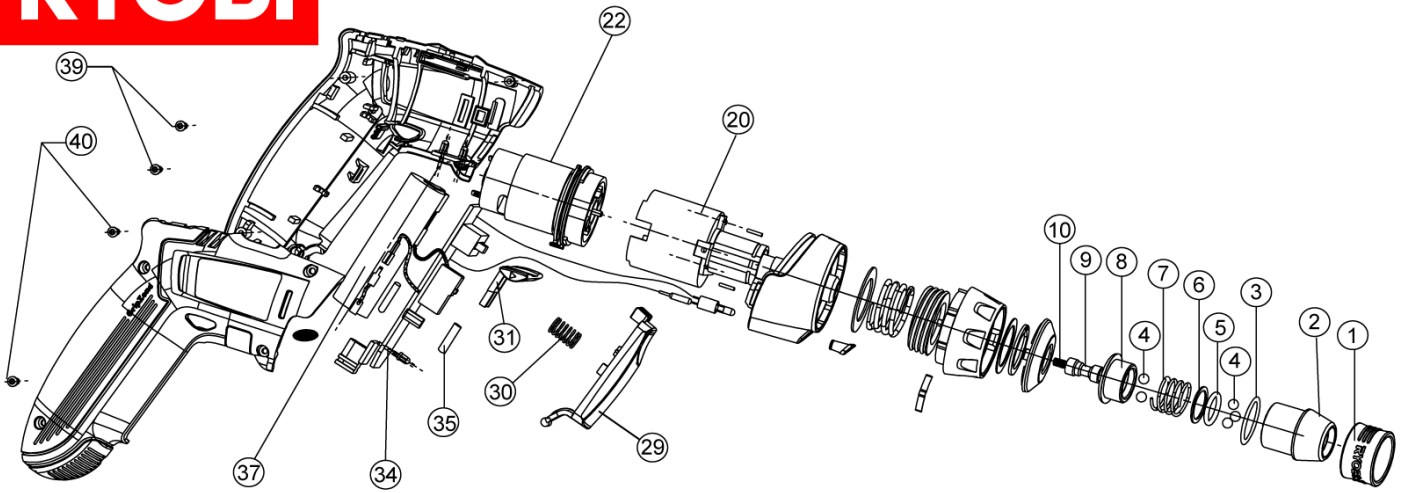


CSD4107BG/1.2Ah/4V Akkuschauber IN2

5133000139 - CSD4107BG - 4000444019





Position	Quantity	Description	Part number	EAN
001 1	1	RUBBER COVER OD21.6XID18.5X14	Item discontinued(5131009423)	
002 2	1	METAL SLEEVE CSD4030G/4130GN	Item discontinued(5131010592)	
003 3	1	RUBBER O-RING ID14XOD1.8	Item discontinued(5131009422)	
004 4	5	KUGEL	Item discontinued(5131017805)	
005 5	1	SHAFT CLIP DIA.1.0XOD13.0 BID1201	Item discontinued(5131011717)	
006 6	1	WASHER OD15XID12.1X0.6	Item discontinued(5131010716)	
007 7	1	SPRING 0.9XOD14.3XL12.7MM BID1201	Item discontinued(5131011715)	
008 8	1	SLEEVE CAP OD21XID12.15X9.25 BID120	Item discontinued(5131010591)	
009 9	1	SHUTTLE BID1201	Item discontinued(5131010590)	
010 10	1	FEDER	Item discontinued(5131011716)	
020 11	1	GETRIEBEKASTEN	Item discontinued(5131006553)	
022 12	1	MOTOR	Item discontinued(5131006705)	
029 13	1	DRUECKER	5131016040	4058546103170
030 14	1	SPRING DIA 0.7XOD7.7XL11.5MM CSD42L	Item discontinued(5131016205)	
031 15	1	F/R BUTTON	Item discontinued(1000079314)	
034 16	1	Schalter	Item discontinued(5131008177)	
035 17	1	SHRINKABLE TUBE UL DIA.5MM EWD1245/	Item discontinued(5131012727)	
037 18	1	CSD4130GN BATTERY PACK ASSY XXX	Item discontinued(5131007620)	
039 19	2	SCHRAUBE	Item discontinued(5131016190)	
040 20	2	ST SCREW CH M2.6X14 PH LSdT1201	Item discontinued(5131011562)	