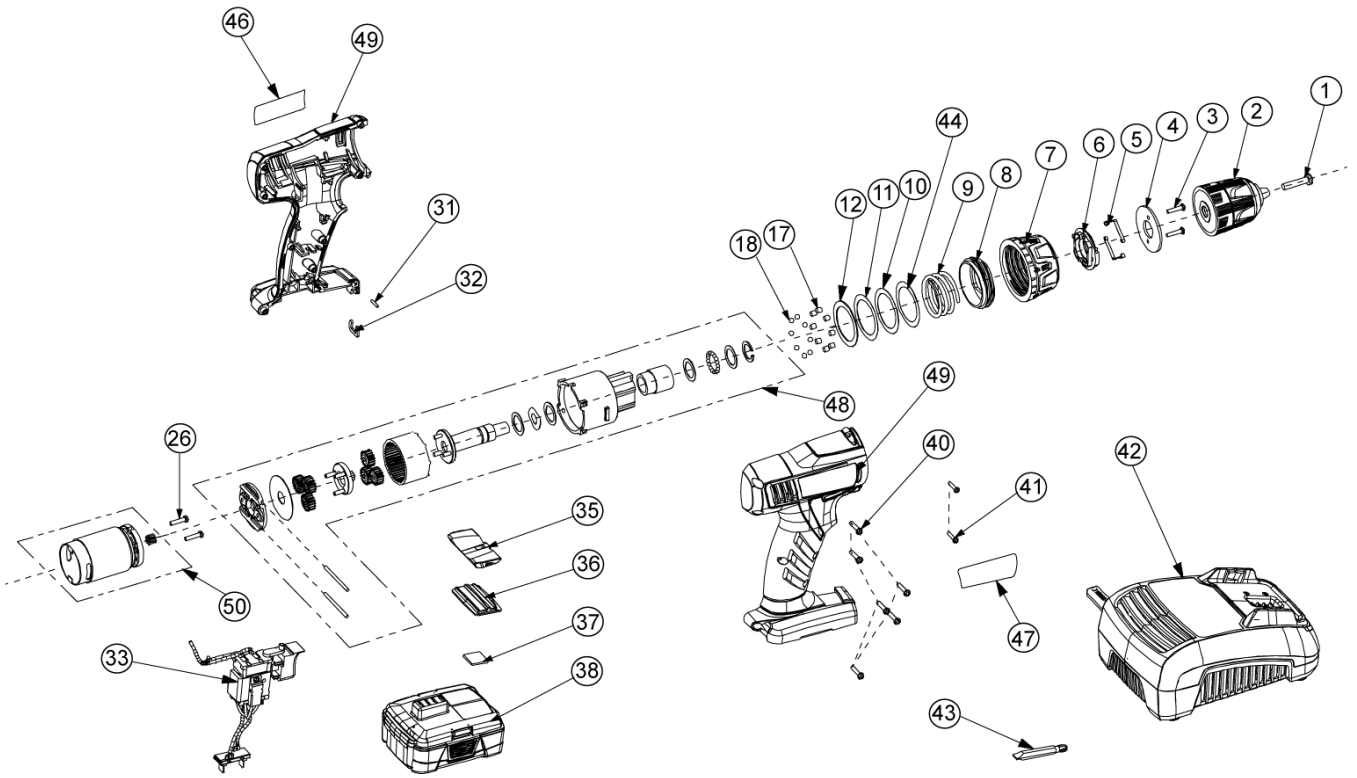


LSDT1201/1x1.2Ah Akku-Bohrschrauber

5133000248 - LSTD1201 - 4000444021





Position	Quantity	Description	Part number	EAN
1	1	PART NOT DETAILED	1000063920	
001 2	1	SCHRAUBE	Item discontinued(5131011370)	
002 3	1	CHUCK STEEL W/OHT3/8in	Item discontinued(5131012332)	
003 4	2	SCHRAUBE	Item discontinued(5131011394)	
004 5	1	MOUNTING PLATE LSDT1201	Item discontinued(5131010678)	
005 6	2	SPRING PLATE LSDT1201	Item discontinued(5131010679)	
006 7	1	SPRING HOLDER LSDT1201	Item discontinued(5131009247)	
007 8	1	KLEMMRING	Item discontinued(5131008680)	
008 9	1	Aufnahme	Item discontinued(5131000755)	
009 10	1	SPRING TORQUE CONTROL CCD CHP1201	Item discontinued(5131011962)	
010 11	1	SCHEIBE	Item discontinued(5131012279)	
011 12	2	SCHEIBE	Item discontinued(5131012280)	
012 13	1	SCHEIBE	Item discontinued(5131011635)	
017 14	8	KUGEL	Item discontinued(5131011939)	
018 15	8	KUGEL	Item discontinued(5131017805)	
026 16	2	Schraube M3x6	5131000979	4058546161354
031 17	1	SPRING PIN DIA.1.6 STEEL	Item discontinued(5131010739)	
032 18	1	FEDERKLEMME	Item discontinued(5131010738)	
033 19	1	SCHALTER M.ELEKTRO.	5131008028	4058546092023
035 20	1	WECHSELKNOPF	Item discontinued(5131009077)	
036 21	1	RUBBER BIT HOLDER LSD120 BID1201	Item discontinued(5131009427)	
037 22	1	MAGNET 15X15X2MM LSD120 BID1201	Item discontinued(5131011669)	
040 23	6	ST SCREW ST M3.0X14MM	Item discontinued(5131011484)	
041 24	2	ST SCREW CH M2.6X14 PH LSDT1201	Item discontinued(5131011562)	
044 25	1	SCHEIBE	Item discontinued(5131016247)	
046 26	1	LOGO LABEL FOR DRILL	Item discontinued(5131013511)	
047 27	1	RATING LABEL FOR DRILL	Item discontinued(5131013539)	
048 28	1	GETRIEBEKASTEN	Item discontinued(5131006551)	
049 29	1	GEHAEUSE	Item discontinued(5131006258)	
050 30	1	MOTOR	5131006672	4058546090425
038 31	1	P/P ASSY 12V-DC LSD120	5132000046	4892210105035
043 32	1	DOUBLE BIT (PH2 S6 L=50MM)	Item discontinued(5132001236)	