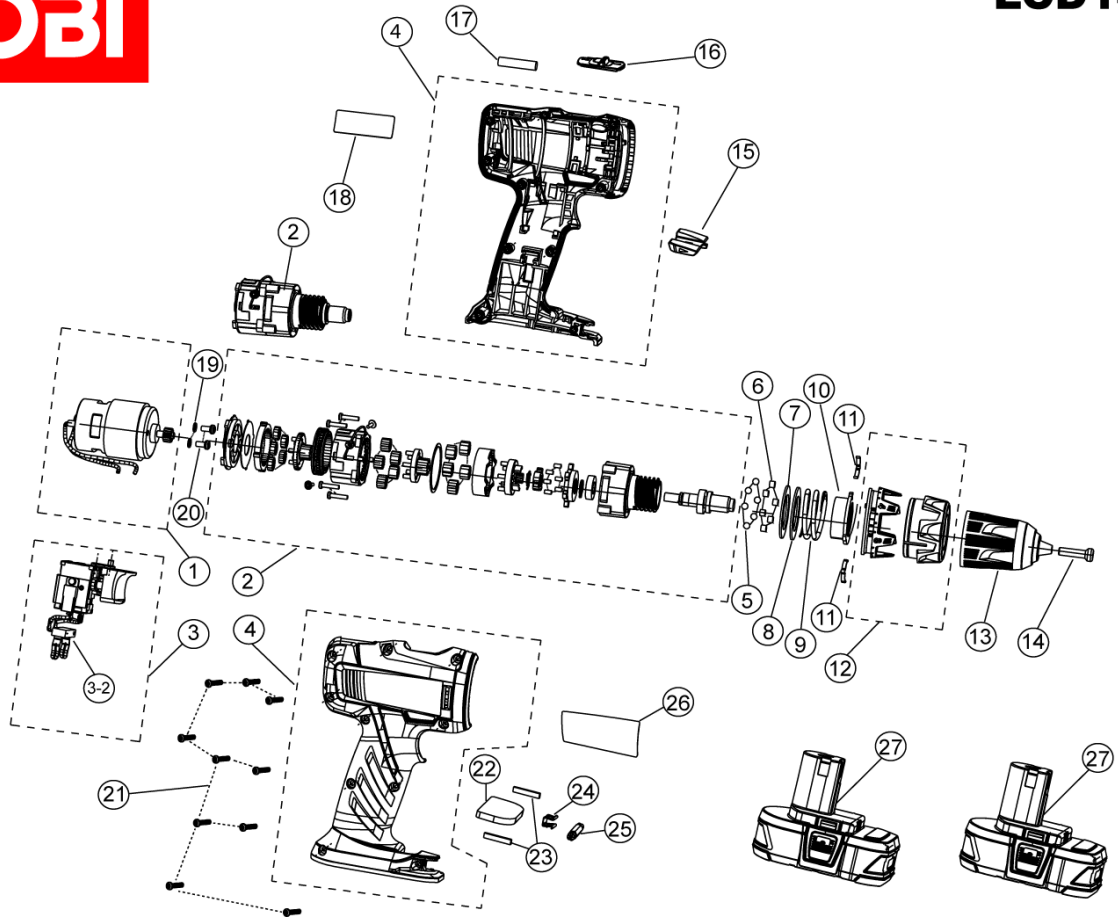


LCD14022/2x1.4Ah LilonAkku-Schrauber

5133000243 - LCD14022 - 4000444032





Position	Quantity	Description	Part number	EAN
001 1	1	MOTOREINHEIT	Item discontinued(5131031863)	
002 2	1	BATTERIE	Item discontinued(5131031697)	
002 3	1	GETRIEBEKASTEN	Item discontinued(5131031858)	
003 4	1	SCHALTER M.ELEKTRO.	Item discontinued(5131008025)	
003-2 5	1	CONTACT PLATE HOLDER ASSY LCD1802	Item discontinued(5131008427)	
004 6	1	GEHAEUSE	Item discontinued(5131015902)	
005 7	6	KUGEL	Item discontinued(5131011639)	
006 8	6	STIFT	Item discontinued(5131011915)	
007 9	1	SCHEIBE	Item discontinued(5131010746)	
008 10	1	CLUTCH WASHER STEEL	5131016119	4058546171223
009 11	1	FEDER	Item discontinued(5131011977)	
010 12	1	HUELSE	Item discontinued(5131009079)	
011 13	2	FEDER	Item discontinued(5131010740)	
012 14	1	KLEMMRING	Item discontinued(5131008439)	
013 15	1	BOHRFUTTER	Item discontinued(5131012333)	
014 16	1	Schraube	5131001845	4058546083502
015 17	1	SCHALTERDRUECKER	Item discontinued(5131008684)	
016 18	1	GETRIEBE	Item discontinued(5131008683)	
017 19	1	LIBELLE FUeR WASSERWAAGE	Item discontinued(5131008331)	
018 20	1	LOGO LABEL	Item discontinued(1000044985)	
019 21	2	SPRING WASHER OD7.2XID4.1X1MM	Item discontinued(1000076783)	
020 22	2	SCHRAUBE	Item discontinued(5131011425)	
021 23	10	SCHRAUBE	5131011359	4058546168315
022 24	1	MAGNET	Item discontinued(5131016253)	
023 25	2	FOAM RUBBER 10X5X2MM LCD1402	Item discontinued(5131016085)	
024 26	1	Bithalter	Item discontinued(5131002001)	
026 27	1	ETIKETT	Item discontinued(5131016289)	
025 28	1	DOUBLE BIT (PH2 S6 L=50MM)	Item discontinued(5132001236)	