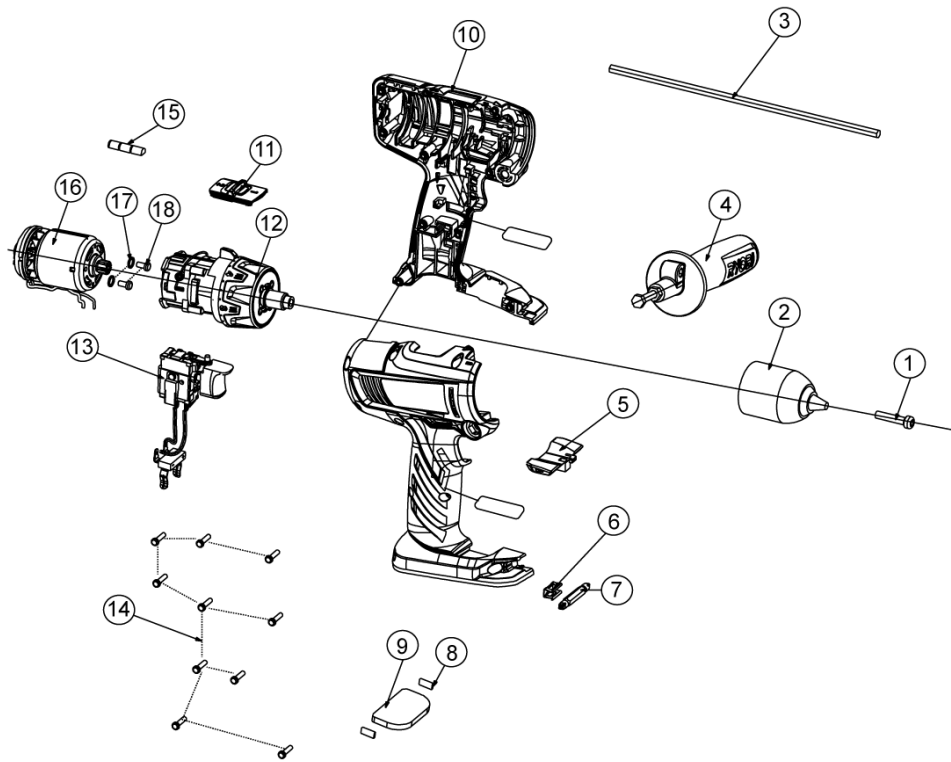


# LCDI18022 /2x1.4Ah Akku-Schlagbohrschr.

5133000245 - LCDI18022 - 4000444046





Position	Quantity	Description	Part number	EAN
1	1	BUNDBUCHSE	Item discontinued(5131032214)	
2	1	LADEGERAET	Item discontinued(5131031689)	
3	1	BATTERIE	Item discontinued(5131031693)	
001 4	1	Schraube	5131001845	4058546083502
002 5	1	BOHRFUTTER	5131017815	4058546106478
003 6	1	TIEFENANSCHLAG	5131017604	4058546105839
004 7	1	ZUSATZHANDGRIFF	Item discontinued(5131017285)	
005 8	1	SCHALTERDRUECKER	Item discontinued(5131017331)	
006 9	1	Bithalter	Item discontinued(5131002001)	
008 10	2	GUMMIPLATTE	Item discontinued(5131009392)	
009 11	1	MAGNET	5131031877	4058546130152
010 12	1	MOTORGEHAEUSE	5131017292	4058546105068
011 13	1	SCHIEBER	Item discontinued(5131017332)	
012 14	1	GETRIEBEKASTEN	Item discontinued(5131017290)	
013 15	1	SCHALTER M.ELEKTRO.	Item discontinued(5131017199)	
014 16	10	SCHRAUBE	5131011359	4058546168315
015 17	1	WASSERWAAGE	Item discontinued(5131017274)	
016 18	1	DC-MOTOR	Item discontinued(5131031974)	
017 19	1	FEDERRING	Item discontinued(5131019721)	
018 20	2	SCHRAUBE	Item discontinued(5131011425)	
007 21	1	DOUBLE BIT (PH2 S6 L=50MM)	Item discontinued(5132001236)	