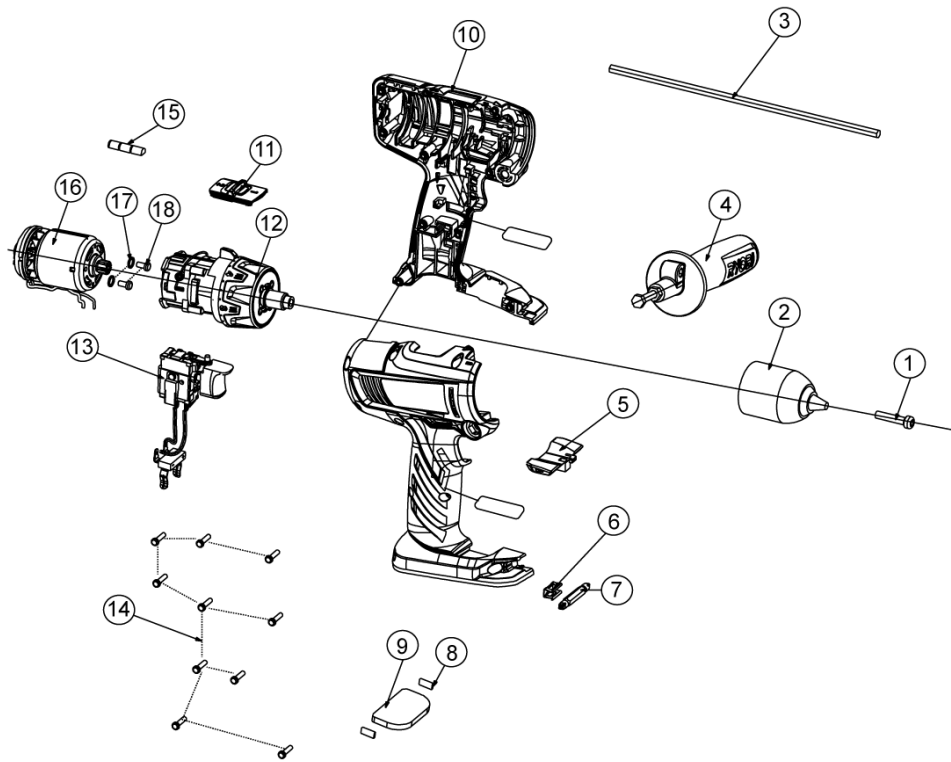


# LCDI1802M/0 Akku-Schlagbohrschr. One+

5133000246 - LCDI1802M - 4000444046





Position	Quantity	Description	Part number	EAN
1	1	BUNDBUCHSE	Item discontinued(5131032214)	
001 2	1	Schraube	5131001845	4058546083502
002 3	1	BOHRFUTTER	5131017815	4058546106478
003 4	1	TIEFENANSCHLAG	5131017604	4058546105839
004 5	1	ZUSATZHANDGRIFF	Item discontinued(5131017285)	
005 6	1	SCHALTERDRUECKER	Item discontinued(5131017331)	
006 7	1	Bithalter	Item discontinued(5131002001)	
008 8	2	GUMMIPLATTE	Item discontinued(5131009392)	
009 9	1	MAGNET	5131031877	4058546130152
010 10	1	MOTORGEHAEUSE	5131017292	4058546105068
011 11	1	SCHIEBER	Item discontinued(5131017332)	
012 12	1	GETRIEBEKASTEN	Item discontinued(5131017290)	
013 13	1	SCHALTER M.ELEKTRO.	Item discontinued(5131017199)	
014 14	10	SCHRAUBE	5131011359	4058546168315
015 15	1	WASSERWAAGE	Item discontinued(5131017274)	
016 16	1	DC-MOTOR	Item discontinued(5131031974)	
017 17	1	FEDERRING	Item discontinued(5131019721)	
018 18	2	SCHRAUBE	Item discontinued(5131011425)	
007 19	1	DOUBLE BIT (PH2 S6 L=50MM)	Item discontinued(5132001236)	