

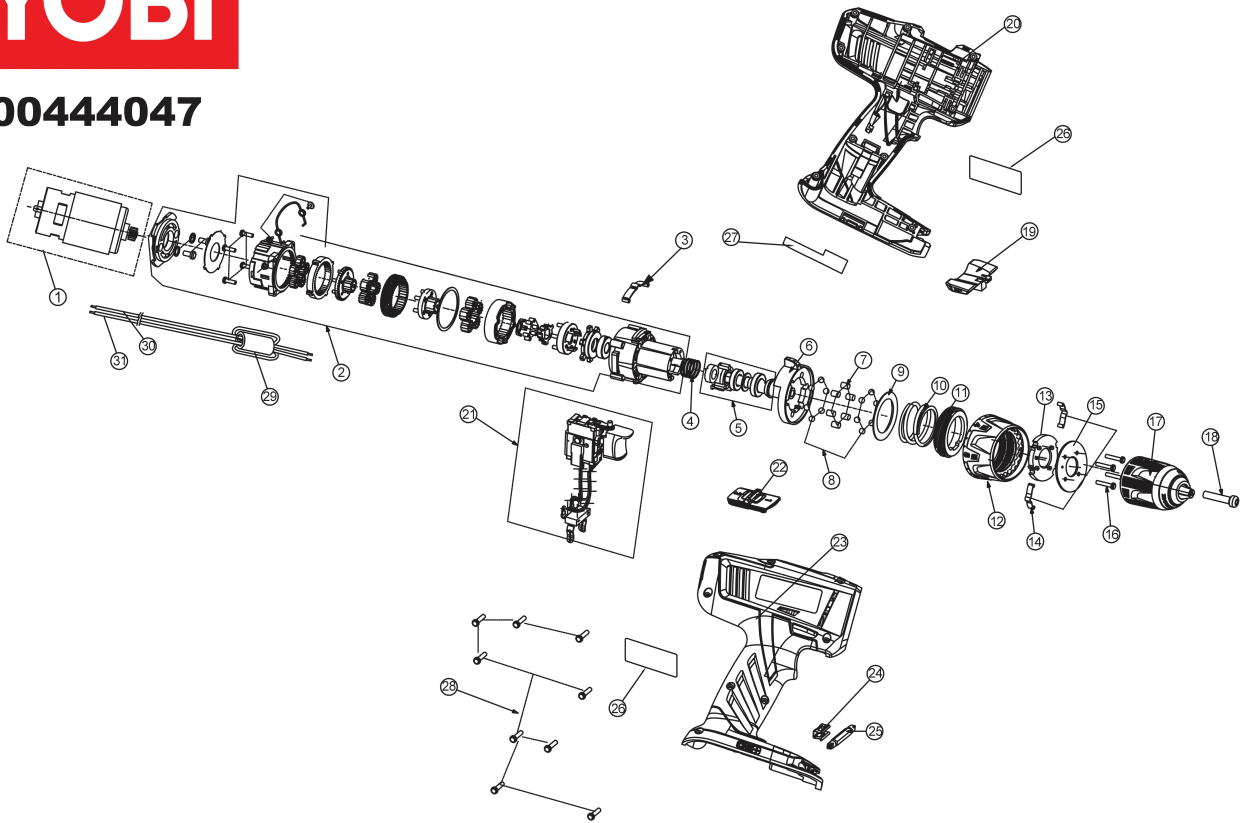
LLCDI1802-LL25S Akku-Schlagbohrschr GB2

5133002724 - LLCDI1802-LL25S - 4000444047





4000444047



Position	Quantity	Description	Part number	EAN
001 1	1	MOTOREINHEIT	Item discontinued(5131029534)	
002 2	1	GETRIEBEKASTEN	5131029535	4058546119515
003 3	1	FEDERTELLER	Item discontinued(5131028234)	
004 4	1	FEDER	Item discontinued(5131028235)	
005 5	1	GETRIEBEWELLE	Item discontinued(5131028236)	
006 6	1	RING	Item discontinued(5131028237)	
007 7	6	STIFT	Item discontinued(5131028238)	
008 8	12	Kugel 5mm	5131001020	4058546080525
009 9	1	SCHEIBE	Item discontinued(5131028239)	
010 10	1	FEDER	Item discontinued(5131028240)	
011 11	1	HUELSE	Item discontinued(5131028241)	
012 12	1	STELLHUELSE	Item discontinued(5131028242)	
013 13	1	FEDERTELLER	Item discontinued(5131028244)	
014 14	2	FEDERBLECH 0,5MM	Item discontinued(5131028243)	
015 15	1	GRUNDPLATTE	Item discontinued(5131028245)	
016 16	4	ST SCREW M3.0 L=16MM CJS180LM CHD18	Item discontinued(5131011391)	
017 17	1	BOHRFUTTER	Item discontinued(5131012333)	
018 18	1	Schraube	5131001845	4058546083502
019 19	1	SCHALTERDRUECKER	Item discontinued(5131008684)	
020 20	1	GEHAEUSE	Item discontinued(5131029536)	
021 21	1	SCHALTER M.ELEKTRO.	5131028247	4058546115890
022 22	1	SCHIEBER	Item discontinued(5131017332)	
023 23	1	GEHAEUSE	Item discontinued(5131029537)	
024 24	1	Bithalter	Item discontinued(5131002001)	
026 25	1	AUFKLEBER	Item discontinued(5131027447)	
027 26	1	HAFTTIKETT	Item discontinued(5131029538)	
028 27	9	SCHRAUBE	5131011359	4058546168315
029 28	1	KNICKSCHUTZ	Item discontinued(5131029478)	
030 29	1	LEITUNG	Item discontinued(5131029539)	
031 30	1	LEITUNG	Item discontinued(5131029540)	
025 31	1	DOUBLE BIT (PH2 S6 L=50MM)	Item discontinued(5132001236)	