

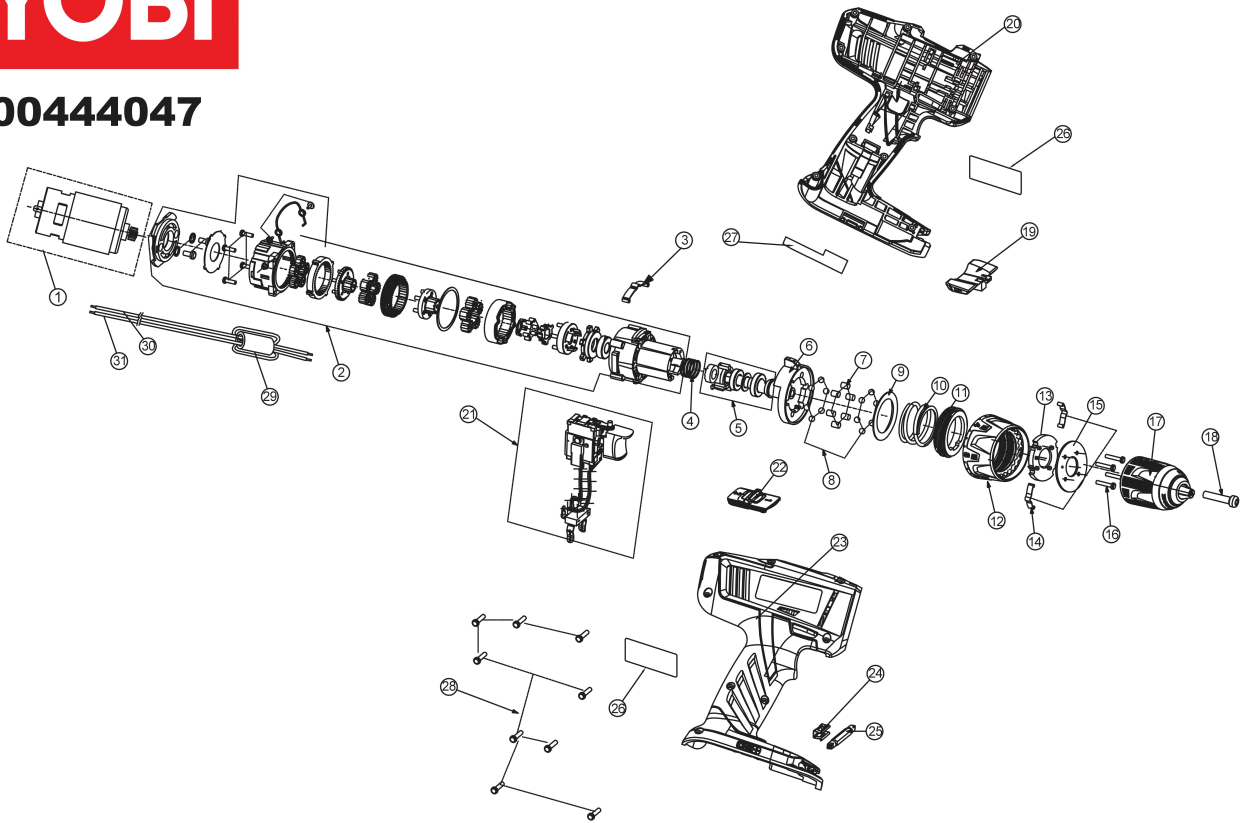
LLCDI18022LX 18V LI H.DRILL IN2

5133001898 - LLCDI18022LX - 4000444047





4000444047



| Position | Quantity | Description | Part number | EAN |
|----------|----------|-------------------------------------|-------------------------------|---------------|
| 1 | 1 | LADEGERAET - BCL14183H | Item discontinued(5131031692) | |
| 2 | 2 | BATTERIE | Item discontinued(5131031688) | |
| 001 3 | 1 | MOTOREINHEIT | Item discontinued(5131029534) | |
| 002 4 | 1 | GETRIEBEKASTEN | 5131029535 | 4058546119515 |
| 003 5 | 1 | FEDERTELLER | Item discontinued(5131028234) | |
| 004 6 | 1 | FEDER | Item discontinued(5131028235) | |
| 005 7 | 1 | GETRIEBEWELLE | Item discontinued(5131028236) | |
| 006 8 | 1 | RING | Item discontinued(5131028237) | |
| 007 9 | 6 | STIFT | Item discontinued(5131028238) | |
| 008 10 | 12 | Kugel 5mm | 5131001020 | 4058546080525 |
| 009 11 | 1 | SCHEIBE | Item discontinued(5131028239) | |
| 010 12 | 1 | FEDER | Item discontinued(5131028240) | |
| 011 13 | 1 | HUELSE | Item discontinued(5131028241) | |
| 012 14 | 1 | STELLHUELSE | Item discontinued(5131028242) | |
| 013 15 | 1 | FEDERTELLER | Item discontinued(5131028244) | |
| 014 16 | 2 | FEDERBLECH 0,5MM | Item discontinued(5131028243) | |
| 015 17 | 1 | GRUNDPLATTE | Item discontinued(5131028245) | |
| 016 18 | 4 | ST SCREW M3.0 L=16MM CJS180LM CHD18 | Item discontinued(5131011391) | |
| 017 19 | 1 | BOHRFUTTER | Item discontinued(5131012333) | |
| 018 20 | 1 | Schraube | 5131001845 | 4058546083502 |
| 019 21 | 1 | SCHALTERDRUECKER | Item discontinued(5131008684) | |
| 020 22 | 1 | GEHAEUSE | Item discontinued(5131029536) | |
| 021 23 | 1 | SCHALTER M.ELEKTRO. | 5131028247 | 4058546115890 |
| 022 24 | 1 | SCHIEBER | Item discontinued(5131017332) | |
| 023 25 | 1 | GEHAEUSE | Item discontinued(5131029537) | |
| 024 26 | 1 | Bithalter | Item discontinued(5131002001) | |
| 026 27 | 1 | AUFKLEBER | Item discontinued(5131027447) | |
| 027 28 | 1 | HAFTTIKETT | Item discontinued(5131029538) | |
| 028 29 | 9 | SCHRAUBE | 5131011359 | 4058546168315 |
| 029 30 | 1 | KNICKSCHUTZ | Item discontinued(5131029478) | |
| 030 31 | 1 | LEITUNG | Item discontinued(5131029539) | |
| 031 32 | 1 | LEITUNG | Item discontinued(5131029540) | |
| 025 33 | 1 | DOUBLE BIT (PH2 S6 L=50MM) | Item discontinued(5132001236) | |