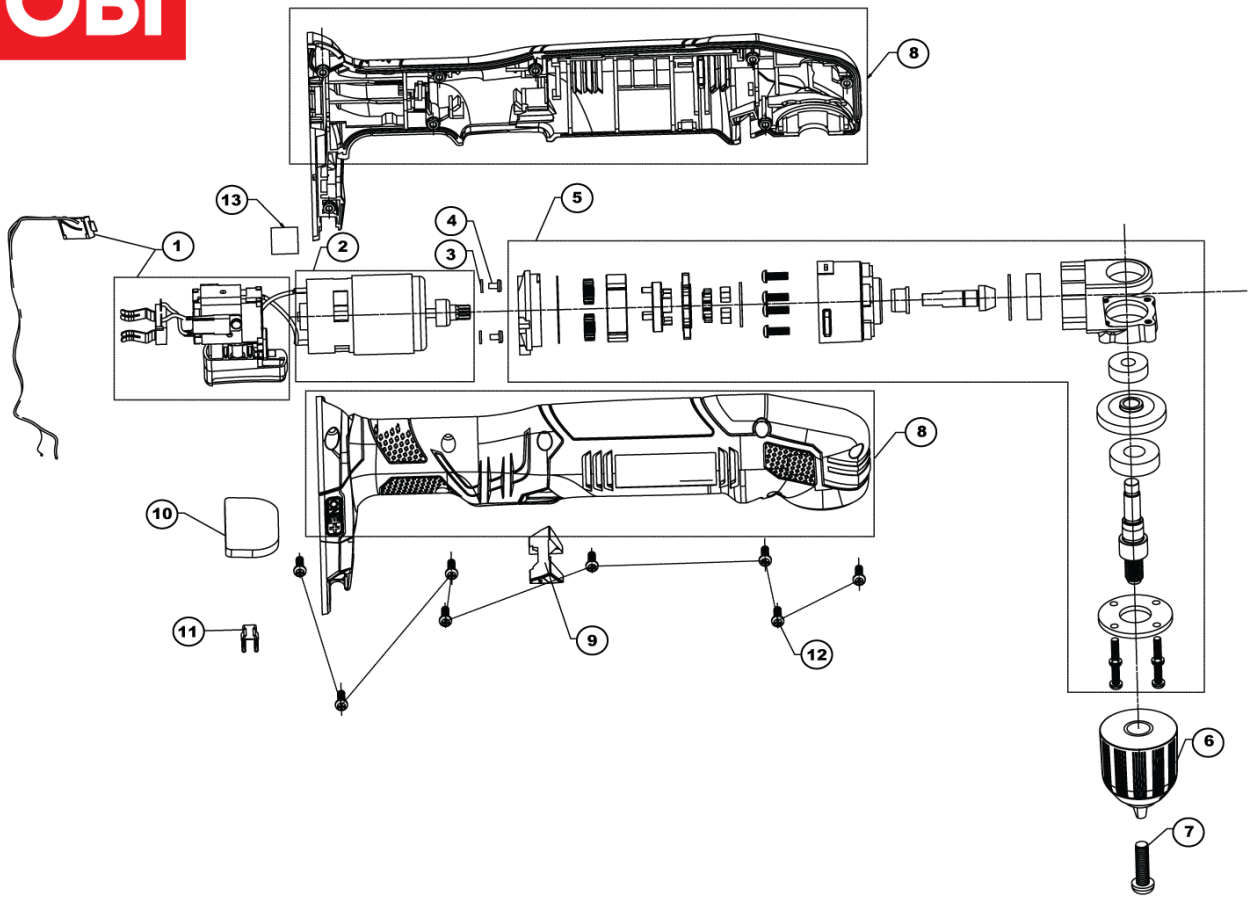


RAD1801M/0 Akku-Winkelbohrschr. ONE+ XXX

5133001166 - RAD1801M-0 - 4000444050





Position	Quantity	Description	Part number	EAN
1	1	ADAPTER SCHWEIZ	4931392302	4002395733965
001 2	1	SCHALTER	Item discontinued(5131029485)	
002 3	1	MOTOREINHEIT	Item discontinued(5131029486)	
003 4	2	FEDERRING	Item discontinued(5131019721)	
004 5	2	Schraube M4x10	Item discontinued(5131000980)	
005 6	1	GETRIEBEKASTEN	Item discontinued(5131029487)	
006 7	1	BOHRFUTTER	Item discontinued(5131029488)	
007 8	1	Schraube Bohrfutter LH	Item discontinued(5131000976)	
008 9	1	MOTORGEHAEUSE	Item discontinued(5131029489)	
009 10	1	WECHSELKNOPF	Item discontinued(5131029491)	
010 11	1	MAGNET	5131031877	4058546130152
011 12	1	Bithalter	Item discontinued(5131002001)	
012 13	8	SCHRAUBE	Item discontinued(5131016147)	
013 14	1	KNICKSCHUTZ	Item discontinued(5131029490)	