

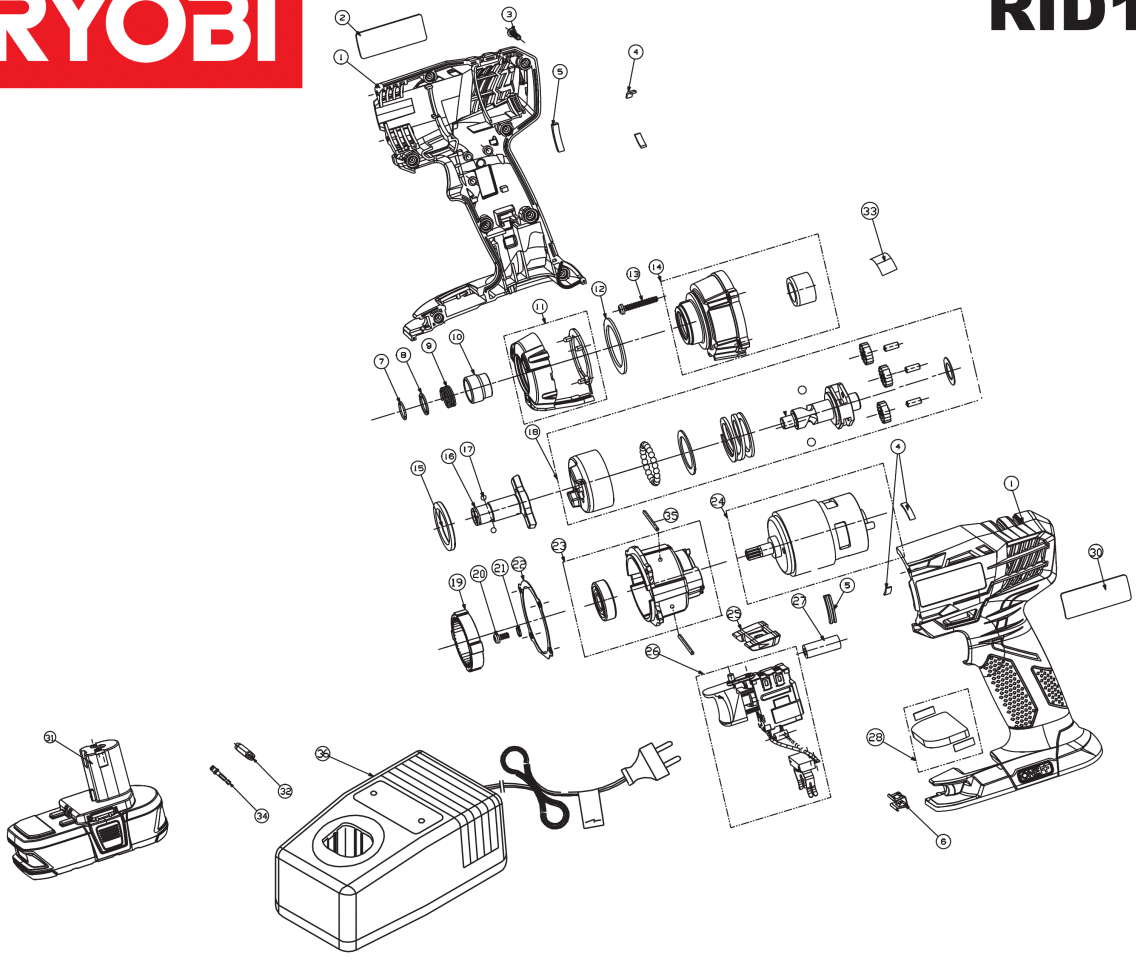
# RID18011L 18V Akku-Schlagschrauber UK

5133002056 - RID18011L - 4000444052





# RID18L15F



Position	Quantity	Description	Part number	EAN
0001 1	1	BATTERIE	Item discontinued(5131031693)	
0002 2	1	LADEGERAET	Item discontinued(5131031689)	
001 3	1	MOTORGEHAEUSE	5131031954	4058546130596
002 4	1	ETIKETT	Item discontinued(5131031955)	
003 5	8	SCHRAUBE	Item discontinued(5131011358)	
004 6	4	GUMMIPUFFER	Item discontinued(5131029452)	
005 7	2	GUMMIPUFFER	Item discontinued(5131009458)	
006 8	1	BIT-HALTER	5131031687	4058546193171
007 9	1	SICHERUNGSRING	Item discontinued(5131012418)	
008 10	1	SCHEIBE	5131017936	4058546106775
009 11	1	FEDER	5131012420	4058546168841
010 12	1	HUELSE	5131029453	4058546119256
011 13	1	ELECTRONIK-BAUSTEIN	Item discontinued(5131029454)	
012 14	1	SCHAUMSTOFF	Item discontinued(5131029455)	
013 15	4	SCHRAUBE	Item discontinued(5131011469)	
014 16	1	GETRIEBEPLATTE	5131029456	4058546119263
015 17	1	SCHEIBE	5131031956	4058546130619
016 18	1	BITHALTER	5131029457	4058546119270
017 19	2	KUGEL	5131017937	4058546172183
018 20	1	NOCKENWELLE	5131031957	4058546130626
019 21	1	HOHLRAD	Item discontinued(5131031958)	
020 22	2	SCHRAUBE	Item discontinued(5131011428)	
021 23	2	FEDERRING	Item discontinued(5131019721)	
022 24	1	DICHTUNGSPLATTE	Item discontinued(5131029460)	
023 25	1	GETRIEBEKAPPE	5131031959	4058546130640
024 26	1	MOTOREINHEIT	5131031960	4058546130657
025 27	1	WECHSELKNOPF	5131029464	4058546119317
026 28	1	SCHALTER M.ELEKTRO.	5131029463	4058546119300
027 29	1	BUNDBUCHSE	Item discontinued(5131029449)	
028 30	1	MAGNET	5131031877	4058546130152
030 31	1	ETIKETT	Item discontinued(5131031961)	
032 32	1	SCHRAUBERBIT	Item discontinued(5131031962)	
033 33	1	ETIKETT	Item discontinued(5131031963)	
034 34	1	BITHALTER	Item discontinued(5131031964)	
035 35	2	STIFT	Item discontinued(5131031965)	