

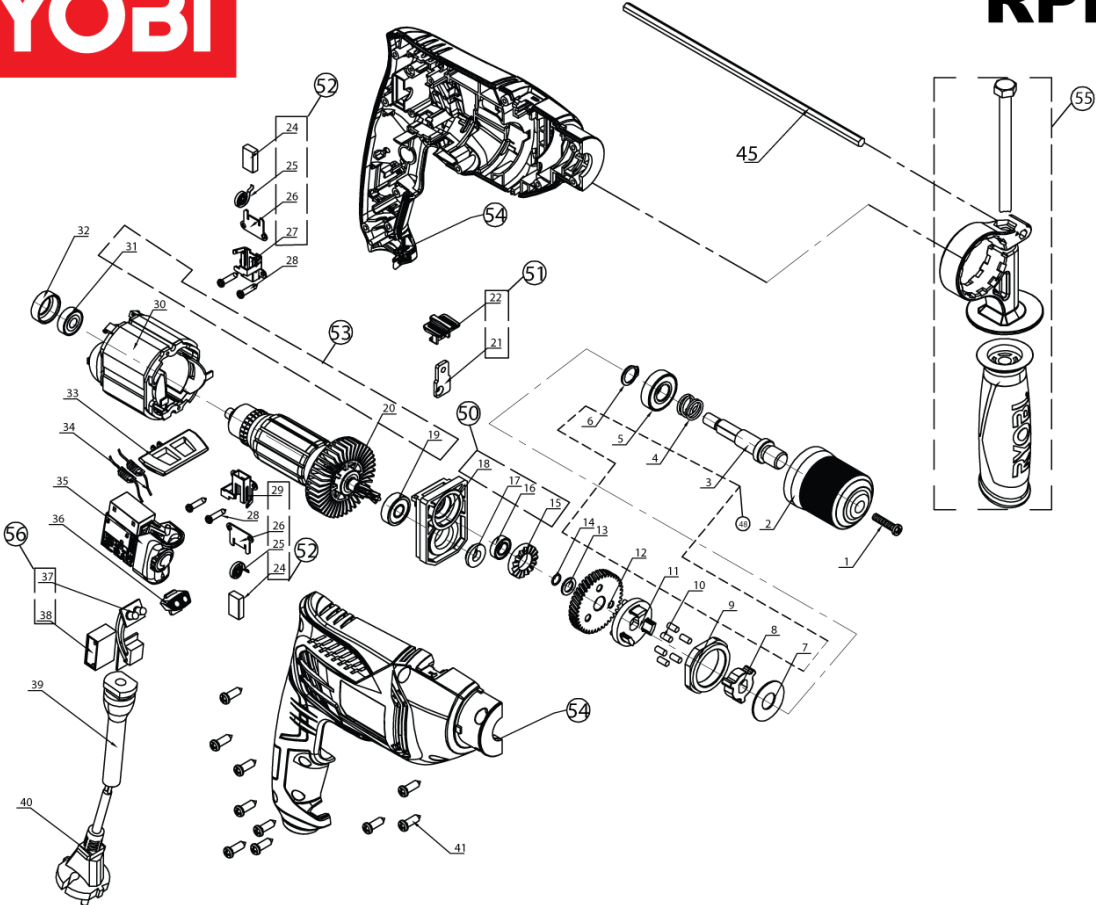
RPD800-K 800W Schlagbohrmaschine GB2

5133002019 - RPD800K 800W - 4000444088





RPD800K



| Position | Quantity | Description | Part number | EAN |
|----------|----------|----------------------|-------------------------------|---------------|
| 1 | 1 | ADAPTER SCHWEIZ | 4931392302 | 4002395733965 |
| 2 | 1 | ETIKETT | Item discontinued(5131031934) | |
| 3 | 1 | ETIKETT | Item discontinued(5131031943) | |
| 001 4 | 1 | SCHRAUBE | 5131031880 | 4058546130169 |
| 002 5 | 1 | BOHRFUTTER | 5131031881 | 4058546130176 |
| 003 6 | 1 | SCHAFT | 5131031883 | 4058546130190 |
| 004 7 | 1 | FEDER | Item discontinued(5131031884) | |
| 005 8 | 1 | KUGELLAGER | 5131031885 | 4058546130213 |
| 006 9 | 1 | RETAINING RING | 5131031886 | 4058546130220 |
| 007 10 | 1 | BREMSRING | Item discontinued(5131031887) | |
| 008 11 | 1 | MITNEHMER | Item discontinued(5131031888) | |
| 009 12 | 1 | TRAEGER | Item discontinued(5131031889) | |
| 010 13 | 6 | ZYLINDERSTIFT | Item discontinued(5131031890) | |
| 011 14 | 1 | GETRIEBESATZ | 5131031891 | 4058546130268 |
| 012 15 | 1 | ZAHNRAD | 5131031892 | 4058546130275 |
| 013 16 | 1 | SCHEIBE | Item discontinued(5131031893) | |
| 014 17 | 1 | FEDER | 5131031894 | 4058546130282 |
| 015 18 | 1 | RATSCHE | Item discontinued(5131031896) | |
| 016 19 | 1 | KUGELLAGER | 5131031897 | 4058546130312 |
| 017 20 | 1 | DICHTUNGSSCHEIBE | Item discontinued(5131031898) | |
| 018 21 | 1 | KUPPLUNGSGEHAEUSE | Item discontinued(5131031899) | |
| 019 22 | 1 | KUGELLAGER | 5131031910 | 4058546130374 |
| 020 23 | 1 | ANKER F.ELEKTROMOTOR | 5131031937 | 4058546130558 |
| 021 24 | 1 | ANTRIEBSPLATTE | 5131031901 | 4058546130336 |
| 022 25 | 1 | DRUECKER | Item discontinued(5131031902) | |
| 024 26 | 2 | KOHLEBUERSTE | 5131031904 | 4058546130367 |
| 025 27 | 2 | FEDERTELLER | Item discontinued(5131031905) | |
| 026 28 | 2 | ABDECKPLATTE | Item discontinued(5131031906) | |
| 027 29 | 1 | BUERSTENHALTER | Item discontinued(5131031907) | |
| 028 30 | 4 | SCHRAUBE | Item discontinued(5131031913) | |
| 029 31 | 1 | BUERSTENHALTER | Item discontinued(5131031908) | |
| 030 32 | 1 | STATOR | 5131031938 | 4058546130565 |
| 031 33 | 1 | KUGELLAGER | 5131031912 | 4058546130398 |
| 032 34 | 1 | LAGERBUECHSE | 5131031918 | 4058546130411 |
| 033 35 | 1 | WECHSELKNOPF | Item discontinued(5131031919) | |
| 034 36 | 2 | DROSSEL | 5131031920 | 4058546130428 |
| 035 37 | 1 | SCHALTER | 5131031921 | 4058546130435 |
| 036 38 | 1 | ABDECKUNG | Item discontinued(5131031932) | |
| 037 39 | 1 | ELECTRONIK-BAUSTEIN | Item discontinued(5131031940) | |
| 038 40 | 1 | KONDENSATOR | Item discontinued(5131031941) | |
| 039 41 | 1 | KNICKSCHUTZ | Item discontinued(5131031923) | |
| 040 42 | 1 | ELEKTRISCHES KABEL | 5131031924 | 4058546130459 |
| 041 43 | 10 | SCHRAUBE | Item discontinued(5131031925) | |
| 045 44 | 1 | TIEFENANSCHLAG | Item discontinued(5131031933) | |
| 048 45 | 1 | SCHAFT | Item discontinued(5131031882) | |
| 050 46 | 1 | KUPPLUNGSGEHAEUSE | 5131031895 | 4058546130299 |
| 051 47 | 1 | DRUECKER | 5131031900 | 4058546130329 |
| 052 48 | 1 | KOHLEHALTER-SET | 5131031903 | 4058546130350 |
| 053 49 | 1 | ANKER KOMPLETT | 5131031936 | 4058546130541 |
| 054 50 | 1 | MOTORGEHAEUSE | Item discontinued(5131031926) | |

| Position | Quantity | Description | Part number | EAN |
|----------|----------|-----------------|-------------------------------|-----|
| 055 51 | 1 | ZUSATZHANDGRIFF | Item discontinued(5131031929) | |
| 056 52 | 1 | LED-Baustein | Item discontinued(5131031939) | |