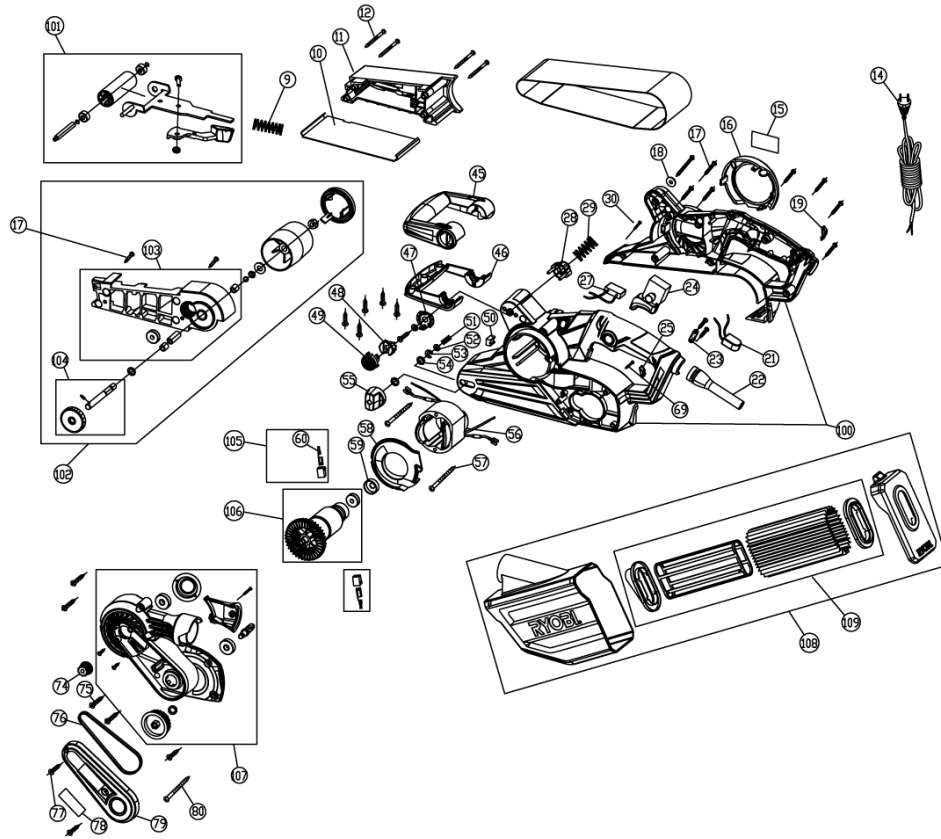


EBS800 800W BELT SANDER IN2

5133001148 - EBS800 - 4000444134





Position	Quantity	Description	Part number	EAN
1	1	ADAPTER SCHWEIZ	4931392302	4002395733965
009 2	1	FEDER	5131030573	4058546124779
010 3	1	BODENPLATTE	5131030574	4058546124786
011 4	1	TRAEGER	5131030575	4058546124793
012 5	5	SCHRAUBE	Item discontinued(5131030576)	
014 6	1	ANSCHLUSSLEITUNG	Item discontinued(5131030623)	
016 7	1	DECKEL	Item discontinued(5131030578)	
017 8	19	SCHRAUBE	Item discontinued(5131030579)	
018 9	1	SCHEIBE	Item discontinued(5131030580)	
019 10	1	LINSE-POLSTER	Item discontinued(5131030581)	
021 11	1	KONTROLLEUCHTE	5131030583	4058546187491
022 12	1	KABELSCHUTZSCHLAUCH	Item discontinued(5131030584)	
023 13	1	KABELKLEMME	Item discontinued(5131030585)	
024 14	1	Feststellknopf	5131030586	4058546124816
025 15	1	LINSE-POLSTER	Item discontinued(5131030587)	
027 16	1	KONDENSATOR	Item discontinued(5131030588)	
028 17	1	ARRETIERSTUECK	5131030589	4058546187538
029 18	1	FEDER	5131030590	4058546187545
030 19	2	SCHRAUBE	Item discontinued(5131030591)	
045 20	1	HANDGRIFFDECKEL	5131030595	4058546124847
046 21	1	HANDGRIFFDECKEL	5131030596	4058546124854
047 22	1	SKALA	5131030597	4058546124861
048 23	1	ZWISCHENFLANSCH	5131030598	4058546124878
049 24	1	KNOPF	5131030599	4058546187569
050 25	1	ANSCHLAG	5131030600	4058546124885
051 26	1	FEDER	Item discontinued(5131030601)	
052 27	2	SCHEIBE	Item discontinued(5131030602)	
053 28	1	SCHEIBE	Item discontinued(5131030603)	
054 29	2	SCHEIBE	Item discontinued(5131030604)	
055 30	1	KNOPF	5131030605	4058546124908
056 31	1	STATOR	Item discontinued(5131030606)	
057 32	2	SCHRAUBE	Item discontinued(5131030607)	
058 33	1	FLANSCH	5131030608	4058546124922
059 34	1	LAGERBUECHSE	5131030609	4058546124939
060 35	2	KOHLEBUERSTE	5131030611	4058546124953
074 36	1	RIEMENSCHLEIFE	5131030614	4058546124984
075 37	4	SCHRAUBE	Item discontinued(5131030615)	
076 38	1	RIEMEN	5131030616	4058546125004
077 39	3	SCHRAUBE	Item discontinued(5131030617)	
079 40	1	GEHAEUSEDECKEL	5131030618	4058546125028
080 41	1	SCHRAUBE	Item discontinued(5131030619)	
100 42	1	MOTORGEHAEUSE KOMPL.	5131030582	4058546124809
101 43	1	EINZUGSROLLE	5131030572	4058546124762
102 44	1	ROLLE	5131030592	4002395870004
103 45	1	TRAEGER	5131030593	4058546124823
104 46	1	ANTRIEB	5131030594	4058546124830
105 47	2	KOHLEBUERSTEN-SET	5131030610	4058546124946
106 48	1	ANKER F.ELEKTROMOTOR	5131030612	4058546124960
107 49	1	GEHAEUSE LINKS	5131030613	4058546124977
108 50	1	STAUBBEUTEL	5131030620	4058546125035

Position	Quantity	Description	Part number	EAN
109 51	1	STAUBFILTER	5131030621	4058546125042