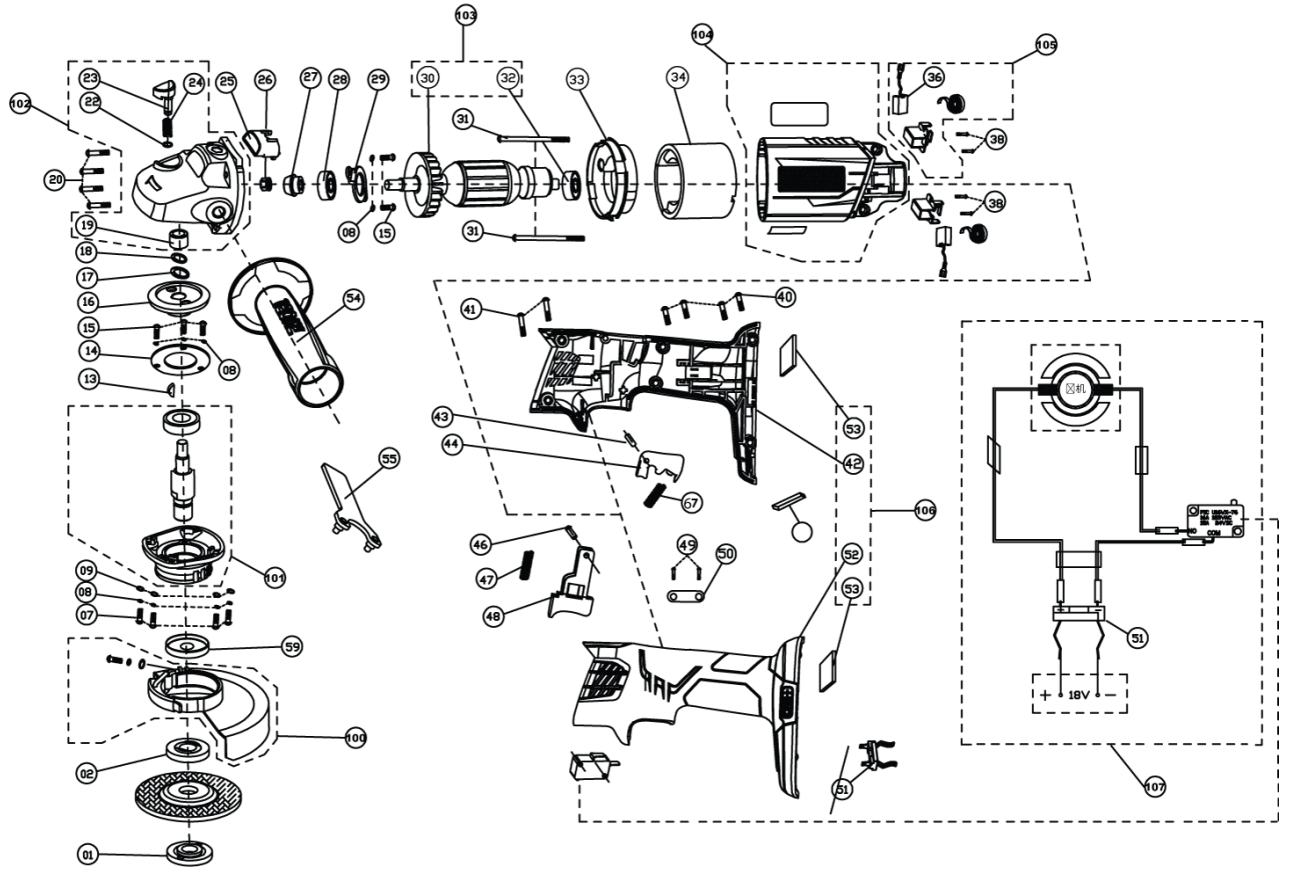


R18AG/0 Akku-Winkelschleifer XXX

5133001903 - R18AG-0 - 4000444141





Position	Quantity	Description	Part number	EAN
001 1	1	SPANNFLANSCH	5131037426	4002395290154
002 2	1	SPANNFLANSCH	5131037427	4002395290161
007 3	4	SCHRAUBE	Item discontinued(5131031189)	
008 4	9	SCHEIBE	Item discontinued(5131031190)	
009 5	4	SCHEIBE	Item discontinued(5131031191)	
013 6	1	KEIL	5131031192	4058546128258
014 7	1	LAGERDECKEL	Item discontinued(5131031193)	
015 8	5	SCHRAUBE	Item discontinued(5131031194)	
016 9	1	ZAHNRAD	Item discontinued(5131031195)	
017 10	1	SCHEIBE	Item discontinued(5131031196)	
018 11	1	SPRENGRING	Item discontinued(5131031197)	
019 12	1	NADELLAGER	Item discontinued(5131031223)	
020 13	4	SCHRAUBE	Item discontinued(5131031198)	
022 14	1	SPRENGRING	Item discontinued(5131031224)	
023 15	1	ARRETIERSTIFT	Item discontinued(5131031225)	
024 16	1	FEDER	Item discontinued(5131031226)	
025 17	1	DECKEL	Item discontinued(5131031199)	
026 18	1	MUTTER	Item discontinued(5131031200)	
027 19	1	RITZEL	Item discontinued(5131031201)	
028 20	1	KUGELLAGER	5131031202	4058546128265
029 21	1	LAGERDECKEL	Item discontinued(5131031203)	
031 22	2	SCHRAUBE	Item discontinued(5131031204)	
033 23	1	VENTILATORGEHAEUSE	Item discontinued(5131031205)	
034 24	1	FELD F. ELEKTROMOTOR	Item discontinued(5131031206)	
036 25	2	KOHLEBUERSTE	Item discontinued(5131031230)	
038 26	4	SCHRAUBE	Item discontinued(5131031207)	
040 27	4	SCHRAUBE	Item discontinued(5131031208)	
041 28	2	SCHRAUBE	Item discontinued(5131031209)	
043 29	1	STIFT	5131031210	4058546128296
044 30	1	VERRIEGELUNGSHEBEL	5131031211	4058546128302
046 31	1	STIFT	5131031212	4058546128319
047 32	1	FEDER	5131031213	4058546128326
048 33	1	DRUECKER	Item discontinued(5131031214)	
049 34	2	SCHRAUBE	Item discontinued(5131031215)	
050 35	1	DRUCKBLECH	Item discontinued(5131031216)	
051 36	1	ANSCHLUSSPLATTE	5131017253	4058546242121
054 37	1	ZUSATZHANDGRIFF	Item discontinued(5131031217)	
055 38	1	SCHLUESSEL	Item discontinued(5131031218)	
059 39	1	STAUBDICHTUNG	Item discontinued(5131031219)	
100 40	1	SCHUTZ	5131037463	4002395289523
101 41	1	GETRIEBE-SET	Item discontinued(5131031221)	
102 42	1	GETRIEBEKASTEN	Item discontinued(5131031222)	
103 43	1	ANKER KOMPLETT	Item discontinued(5131031227)	
104 44	1	MOTORGEHAEUSE	Item discontinued(5131031228)	
105 45	1	BUERST.HALTER KOMPL	Item discontinued(5131031229)	
106 46	1	GRIFF	Item discontinued(5131031231)	
107 47	1	SCHALTER	Item discontinued(5131031232)	