

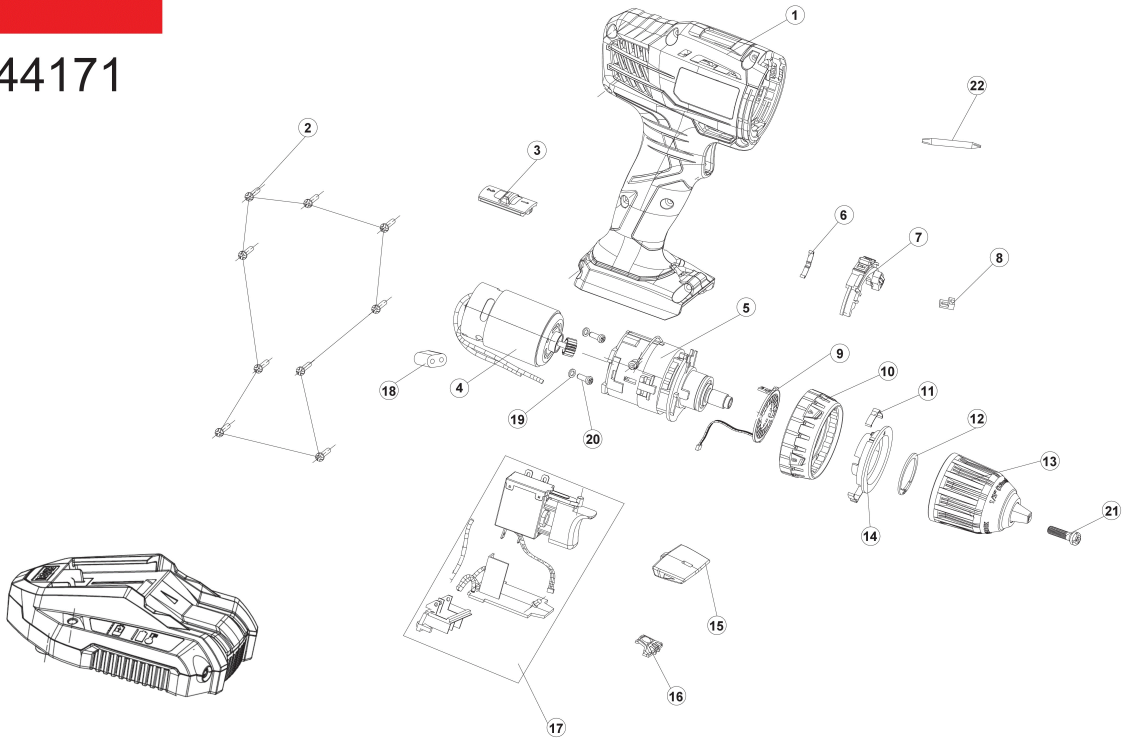
# R14DDE-LL15S/2x1.5Ah A.Bohrschrauber IN2

5133001900 - R14DDE-LL15S - 4000444171





4000444171



Position	Quantity	Description	Part number	EAN
1	1	LADEGERAET RC14L60	Item discontinued(5131031248)	
2	2	BATTERIE RB14L15	Item discontinued(5131031247)	
001 3	1	MOTORGEHAEUSE	5131031234	4058546128425
002 4	9	SCHRAUBE	Item discontinued(5131019437)	
003 5	1	EINSTELLKNOPF	Item discontinued(5131031235)	
004 6	1	MOTOR	5131028232	4058546115760
005 7	1	GETRIEBEKASTEN	5131031236	4058546128449
006 8	1	FEDER	Item discontinued(5131010740)	
007 9	1	KNOPF	Item discontinued(5131031237)	
008 10	1	MOOSGUMMI	Item discontinued(5131031238)	
009 11	1	Elektronikplatine	5131031239	4058546128470
010 12	1	KUPPLUNGSHUELSE	Item discontinued(5131031240)	
011 13	2	BLATTFEDER	5131028210	4058546115715
012 14	1	SICHERUNGSRING	Item discontinued(5131031241)	
013 15	1	BOHRFUTTER 13mm	5131031242	4058546128500
014 16	1	HALTER	Item discontinued(5131031243)	
015 17	1	WECHSELKNOPF	5131031244	4058546128524
016 18	1	HALTER	5131031245	4058546128531
017 19	1	SCHALTER M.ELEKTRO.	Item discontinued(5131031246)	
018 20	1	KNICKSCHUTZ	Item discontinued(5131029490)	
019 21	2	SCHEIBE	Item discontinued(5131017800)	
020 22	2	SCHRAUBE	Item discontinued(5131011422)	
021 23	1	SCHRAUBE	5131030096	4058546122379
022 24	1	DOUBLE BIT (PH2 S6 L=50MM)	Item discontinued(5132001236)	