

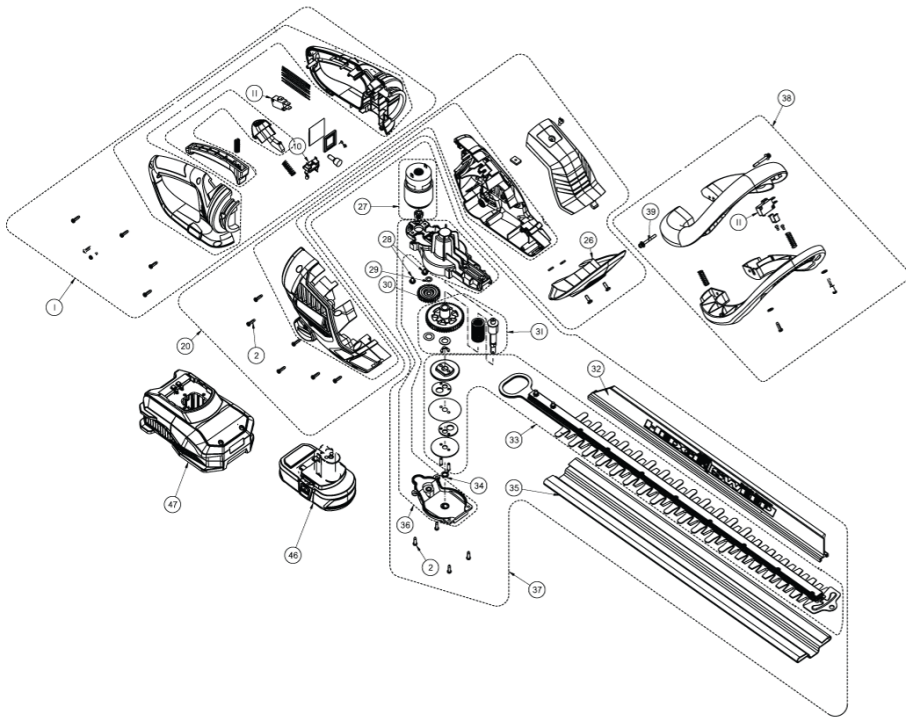
RHT1855R40 18V 4,0AH HECKENSCH. IN2

5133002111 - RHT1855R40 TAILLE HAIE 18V 4.0A -
4000444189





RHT1855R40



090978003

Position	Quantity	Description	Part number	EAN
0001 1	1	BATTERIE 18V-DC LI-ION 4,0AH	Item discontinued(5131031944)	
0002 2	1	LADEGERAET	Item discontinued(5131031689)	
1_001 3	1	HANDGRIFF	Item discontinued(5131035459)	
1_002 4	17	SCHRAUBE	5131035460	4058546148829
1_010 5	1	PLATTE	5131035461	4058546011659
1_011 6	2	SCHALTER	5131035462	4058546148836
1_020 7	1	GEHAEUSE	Item discontinued(5131035463)	
1_026 8	1	SCHUTZ	Item discontinued(5131035464)	
1_027 9	1	MOTOR	5131035465	4058546148867
1_028 10	2	SCHRAUBE	Item discontinued(5131035466)	
1_029 11	1	SCHEIBE	5131035467	4058546148881
1_030 12	1	ZAHNRAD	Item discontinued(5131035468)	
1_031 13	1	ZAHNRAD	5131035469	4058546148904
1_032 14	1	ABWEISER	5131035470	4058546148911
1_033 15	1	KLINGE	5131035471	4058546148928
1_034 16	1	SCHEIBE	Item discontinued(5131035472)	
1_035 17	1	SCHWERTSCHUTZ	5131035473	4058546148942
1_036 18	1	ZAHNRAD	Item discontinued(5131035474)	
1_037 19	1	SCHERBLATT	Item discontinued(5131035475)	
1_038 20	1	HANDGRIFF	5131035476	4058546148959
1_039 21	2	SCHRAUBE	5131035477	4058546148966