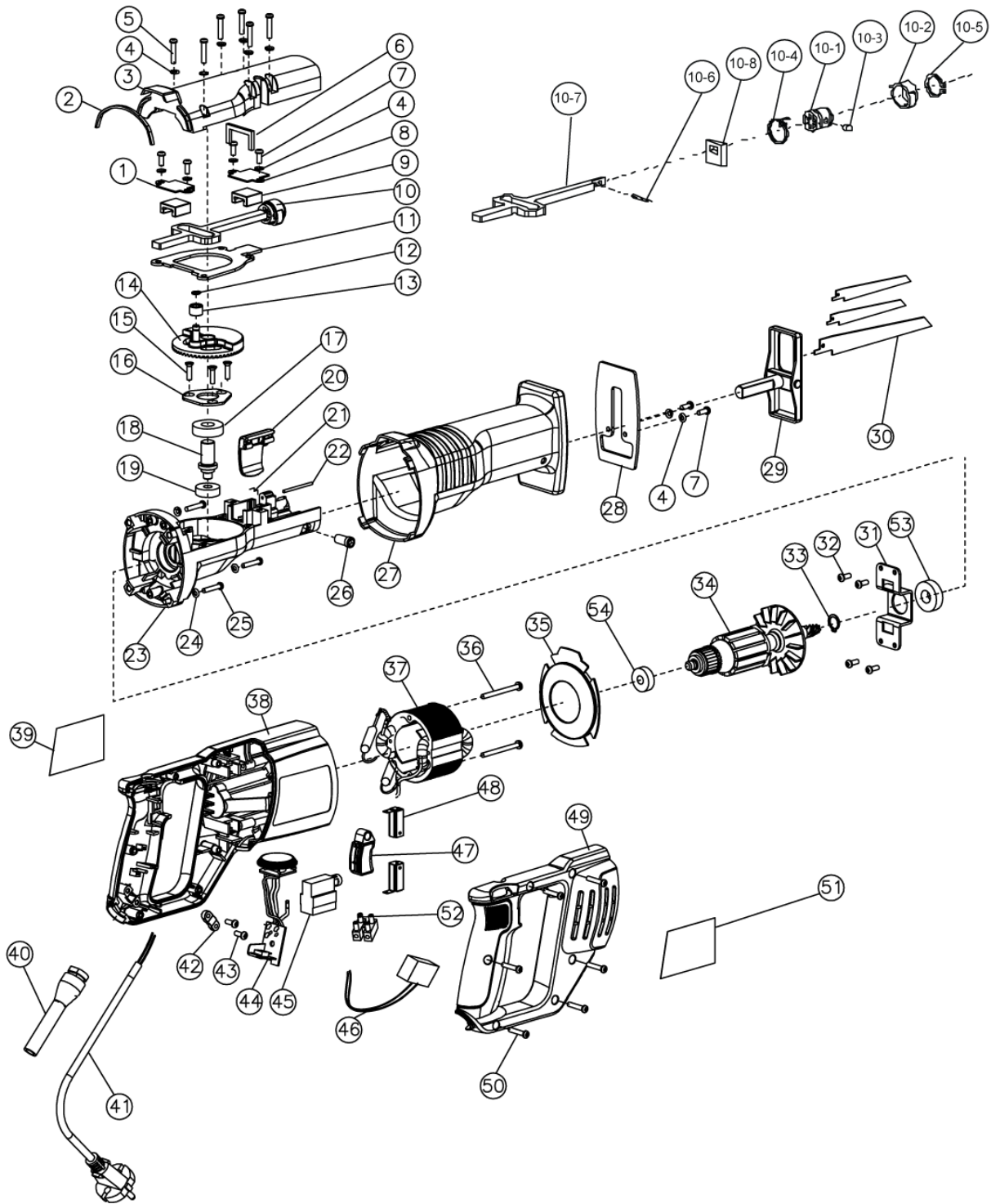


ERS80VHG Saebelsaege

5133000367 - ERS80VHG - 4000444234





Position	Quantity	Description	Part number	EAN
1	1	ADAPTER SCHWEIZ	4931392302	4002395733965
001 2	1	DECKEL	Item discontinued(5131017938)	
002 3	1	DICHTUNG	5131018059	4058546106935
003 4	1	GETRIEBEDECKEL	5131017455	4058546105396
004 5	12	FEDERRING	Item discontinued(5131019721)	
005 6	6	SCHRAUBE	Item discontinued(5131027925)	
006 7	1	Dichtung	Item discontinued(5131000758)	
007 8	6	Schraube M4x10	Item discontinued(5131000980)	
008 9	1	Deckel	5131001121	4058546081058
009 10	2	Fuehrung	5131001122	4058546081065
010 11	1	SCHAFT	Item discontinued(5131027926)	
010_1 12	1	Klemme	5131000918	4058546079857
010_2 13	1	Fuehrung	5131000919	4058546079864
010_3 14	2	Kugel 5mm	5131001020	4058546080525
010_4 15	1	Feder	5131001120	4058546081041
010_5 16	1	Sicherungsring	5131001123	4058546081072
010_6 17	1	Stift 5x16	5131001076	4058546080853
010_7 18	1	Welle	Item discontinued(5131001119)	
010_8 19	1	Dichtung	5131001173	4058546081294
011 20	1	Halteplatte	Item discontinued(5131016384)	
012 21	1	SICHERUNGSRING	5131033587	4002395148004
013 22	1	NADELLAGER	5131017859	4058546106607
014 23	1	Ritzel	Item discontinued(5131000537)	
015 24	3	SCHRAUBE	Item discontinued(5131027927)	
016 25	1	PLATTE	Item discontinued(5131017866)	
017 26	1	KUGELLAGER	5131027945	4058546115142
018 27	1	GETRIEBEWELLE	Item discontinued(5131017941)	
019 28	1	KUGELLAGER	Item discontinued(5131017852)	
020 29	1	DECKEL	5131027929	4058546115036
021 30	1	Feder	Item discontinued(5131001125)	
022 31	1	Stift 2.5x36	5131001126	4058546081096
023 32	1	GETRIEBEKASTEN	Item discontinued(5131017640)	
024 33	4	FEDERRING	Item discontinued(5131027930)	
025 34	4	SCHRAUBE	Item discontinued(5131020049)	
026 35	1	SCHRAUBE	Item discontinued(5131027931)	
027 36	1	GEHAEUSE	5131027932	4058546115067
028 37	1	Fuehrungsplatte	5131001124	4058546081089
029 38	1	GLEITSCHUH	Item discontinued(5131027933)	
031 39	1	STAMPING BEARING PRESS COVER ERS80V	Item discontinued(5131017942)	
032 40	4	SCHRAUBE	5131027934	4058546115081
033 41	1	RING	Item discontinued(5131017940)	
034+037 42	1	MOTOREINHEIT	Item discontinued(5131027935)	
035 43	1	WIND SHIELD ERS80V	Item discontinued(5131017453)	
036 44	2	SCHRAUBE	Item discontinued(5131027936)	
038 45	1	MOTORGEHAEUSE	Item discontinued(5131027937)	
039 46	1	ETIKETT	Item discontinued(5131027938)	
040 47	1	KABELSCHUTZSCHLAUCH	Item discontinued(5131017459)	
041 48	1	ANSCHLUSSLEITUNG	Item discontinued(5131027939)	
042 49	1	PLASTIC CORD CLAMP EBS1310V EPN7582	Item discontinued(5131017462)	
043 50	2	SCHRAUBE	5131016161	4058546019990

Position	Quantity	Description	Part number	EAN
044 51	1	SCHALTER	Item discontinued(5131027940)	
045 52	1	SCHALTER	Item discontinued(5131012838)	
046 53	1	CAPACITOR 0.47µF ERS80V	Item discontinued(5131018038)	
047 54	1	DRUECKER	Item discontinued(5131027941)	
048 55	1	BUERST.HALTER KOMPL	Item discontinued(5131027942)	
049 56	1	GRIFFDECKEL	Item discontinued(5131027943)	
050 57	6	ST SCREW CH M4X18 ERS80V EBS7576	Item discontinued(5131017753)	
051 58	1	ETIKETT	Item discontinued(5131027944)	
052 59	1	VERBINDUNGS-STUECK	Item discontinued(690331003)	
053 60	1	KUGELLAGER	5131027945	4058546115142
054 61	1	KUGELLAGER	Item discontinued(5131017852)	