

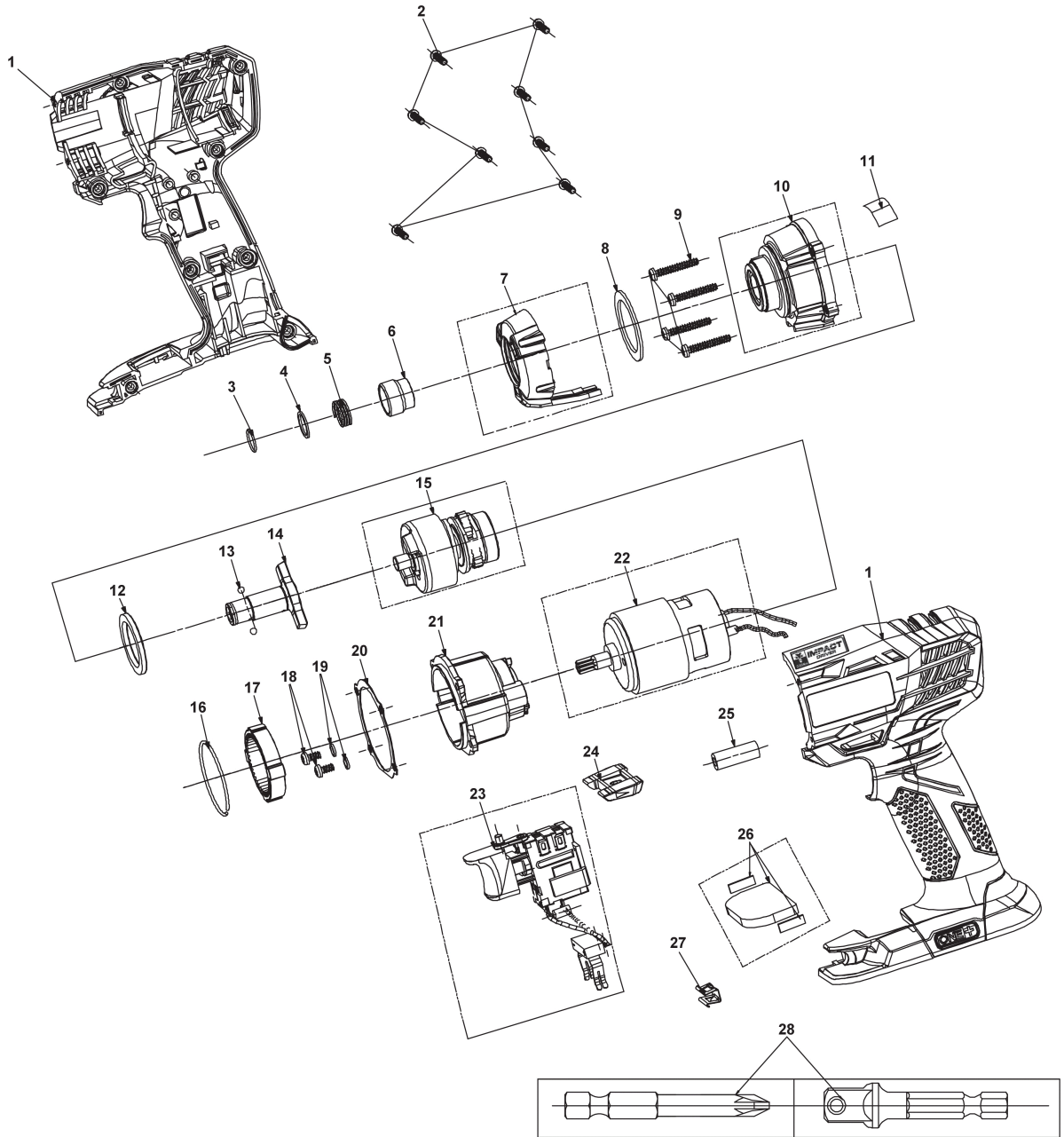
# RID1801M/0 Akku-Schlagschrauber ONE+ XXX

5133001168 - RID1801M - 4000444235





4000444235



| Position | Quantity | Description         | Part number                   | EAN           |
|----------|----------|---------------------|-------------------------------|---------------|
| 0001 1   | 1        | MOTORGEHAEUSE       | Item discontinued(5131029450) |               |
| 0002 2   | 8        | SCHRAUBE            | Item discontinued(5131011358) |               |
| 0003 3   | 1        | SICHERUNGSRING      | Item discontinued(5131012418) |               |
| 0004 4   | 1        | SCHEIBE             | 5131017936                    | 4058546106775 |
| 0005 5   | 1        | FEDER               | 5131012420                    | 4058546168841 |
| 0006 6   | 1        | HUELSE              | 5131029453                    | 4058546119256 |
| 0007 7   | 1        | ELECTRONIK-BAUSTEIN | Item discontinued(5131029454) |               |
| 0008 8   | 1        | SCHAUMSTOFF         | Item discontinued(5131029455) |               |
| 0009 9   | 4        | SCHRAUBE            | Item discontinued(5131011469) |               |
| 0010 10  | 1        | GETRIEBEPLATTE      | 5131029456                    | 4058546119263 |
| 0011 11  | 1        | ETIKETT             | Item discontinued(5131031963) |               |
| 0012 12  | 1        | SCHEIBE             | 5131009091                    | 4058546167677 |
| 0013 13  | 2        | KUGEL               | 5131017937                    | 4058546172183 |
| 0014 14  | 1        | BITHALTER           | 5131029457                    | 4058546119270 |
| 0015 15  | 1        | NOCKENWELLE         | Item discontinued(5131029458) |               |
| 0016 16  | 1        | SICHERUNGSRING      | Item discontinued(5131017935) |               |
| 0017 17  | 1        | HOHLRAD             | Item discontinued(5131029459) |               |
| 0018 18  | 2        | SCHRAUBE            | Item discontinued(5131011428) |               |
| 0019 19  | 2        | FEDERRING           | Item discontinued(5131019721) |               |
| 0020 20  | 1        | DICHTUNGSPLATTE     | Item discontinued(5131029460) |               |
| 0021 21  | 1        | GETRIEBEPLATTE      | Item discontinued(5131029461) |               |
| 0022 22  | 1        | MOTOREINHEIT        | 5131031960                    | 4058546130657 |
| 0023 23  | 1        | SCHALTER M.ELEKTRO. | 5131029463                    | 4058546119300 |
| 0024 24  | 1        | WECHSELKNOPF        | 5131029464                    | 4058546119317 |
| 0025 25  | 1        | BUNDBUCHSE          | Item discontinued(5131029449) |               |
| 0026 26  | 1        | MAGNET              | 5131031877                    | 4058546130152 |
| 0027 27  | 1        | Bithalter           | Item discontinued(5131002001) |               |
| 0028 28  | 1        | BITKASSETTE         | Item discontinued(5131029465) |               |