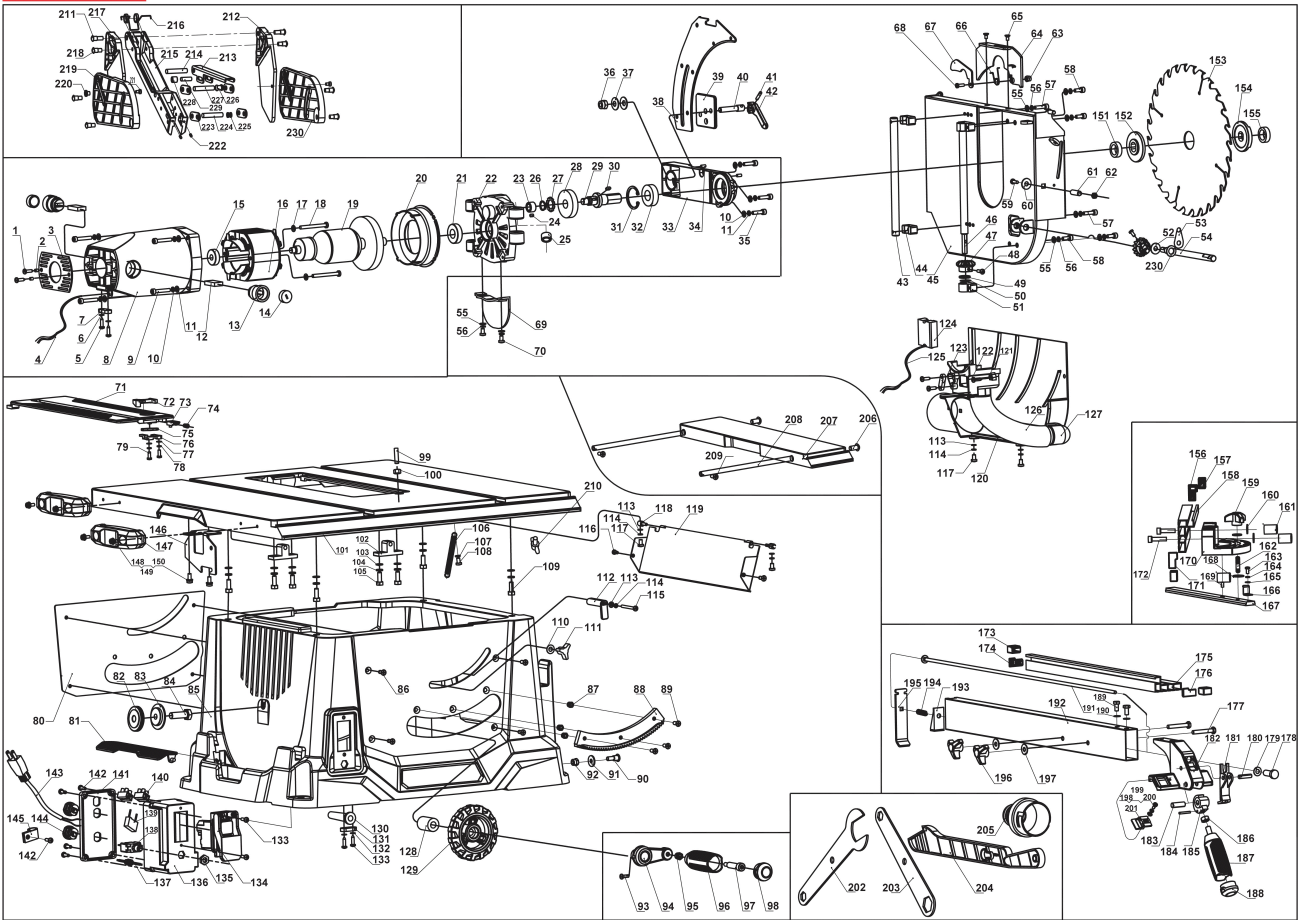


RTS1800EF-G 1800W Tischkreissaege GB2

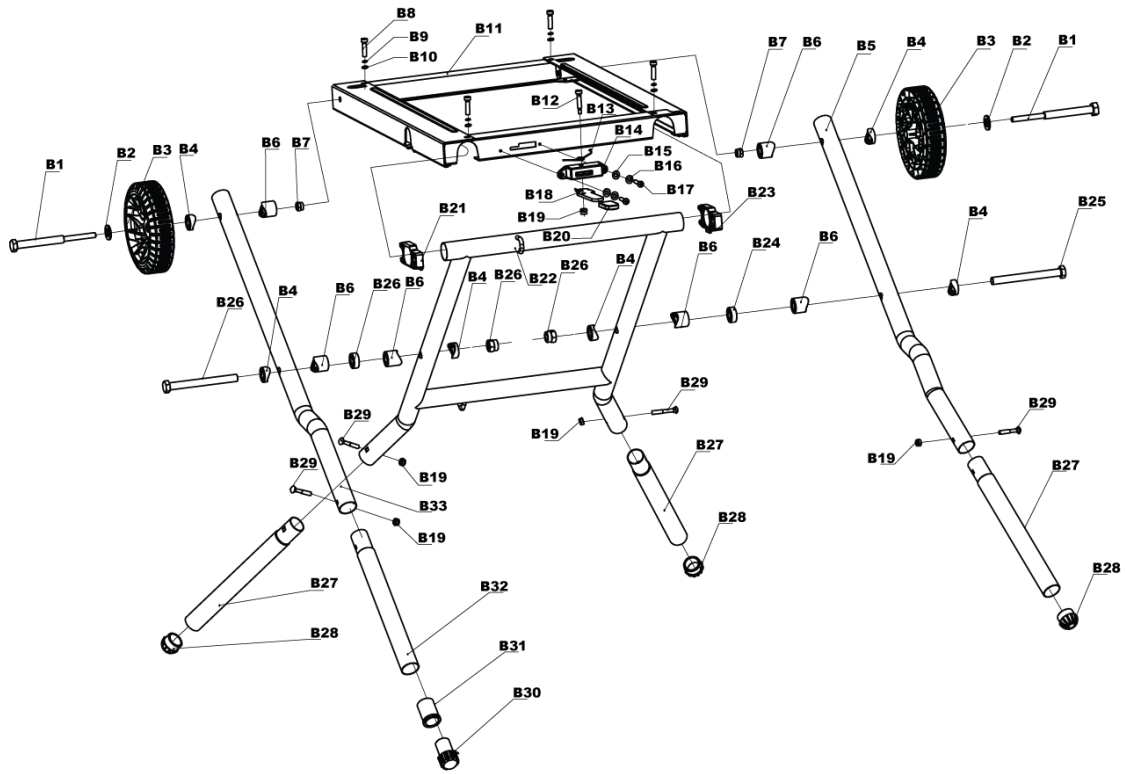
5133002026 - RTS1800EF - 4000444248

RYOBI RTS1800EF



RTS1800EF

RYOBI



Position	Quantity	Description	Part number	EAN
001 1	2	SCHRAUBE	Item discontinued(5131032516)	
002 2	1	GEWINDESTIFT	Item discontinued(5131032517)	
003 3	1	DECKEL	Item discontinued(5131032518)	
004 4	1	LEITUNG	5131032519	4058546136031
005 5	2	SCHRAUBE	Item discontinued(5131032520)	
006 6	2	SCHEIBE	5131032521	4058546136055
007 7	1	KABELKLEMME	Item discontinued(5131032522)	
008 8	1	MOTORGEHAEUSE	5131032523	4058546136079
009 9	4	SCHRAUBE	Item discontinued(5131032524)	
010 10	7	FEDERRING	Item discontinued(5131032525)	
011 11	7	SCHEIBE	Item discontinued(5131032526)	
012 12	2	KOHLEBUERSTE	5131032527	4058546136116
013 13	2	BUERSTENHALTER	Item discontinued(5131032528)	
014 14	2	BUERSTENABDECKUNG	Item discontinued(5131032529)	
015 15	1	KUGELLAGER	5131032530	4058546136147
016 16	1	STATOR	5131032531	4058546136154
017 17	2	SCHEIBE	Item discontinued(5131032532)	
018 18	2	SCHRAUBE	Item discontinued(5131032533)	
019 19	1	ANKER F.ELEKTROMOTOR	5131032534	4058546136185
020 20	1	DICHTRING	5131032535	4058546136192
021 21	1	KUGELLAGER	5131032536	4058546136208
022 22	1	GETRIEBEGEHAUSE	5131032537	4058546136215
023 23	1	NADELLAGER	5131032538	4058546136222
024 24	2	ZYLINDERSCHRAUBE	5131032804	4058546138707
025 25	1	GLEITHUELSE	5131032805	4058546138714
026 26	1	SPRENGRING	5131032541	4058546136253
027 27	1	FEDERRING	5131032542	4058546136260
028 28	1	ZAHNRAD	5131032543	4058546136277
029 29	1	RITZELWELLE	5131032544	4058546136284
030 30	1	PASSFEDER	5131032545	4058546136291
031 31	1	SPRENGRING	5131032546	4058546136307
032 32	1	KUGELLAGER	5131032547	4058546136314
033 33	1	AUFNAHME	5131032548	4058546136321
034 34	2	STIFT	Item discontinued(5131032549)	
035 35	3	SCHRAUBE	Item discontinued(5131032550)	
036 36	1	MUTTER	5131032551	4058546136352
037 37	2	SCHEIBE	Item discontinued(5131032552)	
038 38	1	SPALTKEIL	5131032553	4058546136376
039 39	1	BLECH	Item discontinued(5131032554)	
040 40	1	SCHAFT	Item discontinued(5131032555)	
041 41	1	STIFT	Item discontinued(5131032556)	
042 42	1	KLEMMHEBEL	Item discontinued(5131032557)	
043 43	1	FUEHRUNGSELEMENT	5131032558	4058546136420
044 44	2	LAENGSANSCHL.TRAEG.	5131032559	4058546136437
045 45	1	SCHUTZ	Item discontinued(5131032560)	
046 46	1	STANGE	5131032561	4058546136444
047 47	2	KEGELRAD	5131032562	4058546136451
048 48	2	SCHRAUBE	Item discontinued(5131032563)	
049 49	1	SCHEIBE	Item discontinued(5131032564)	
050 50	1	MITNEHMERSCHEIBE	Item discontinued(5131032806)	

Position	Quantity	Description	Part number	EAN
051 51	2	BEFESTIGUNGSTEILE	5131032566	4058546136482
052 52	1	SCHEIBE	5131032567	4058546136499
053 53	1	SPERRE	Item discontinued(5131032807)	
054 54	1	ACHSE	5131032569	4058546136512
055 55	8	SCHEIBE	Item discontinued(5131032526)	
056 56	8	FEDERRING	Item discontinued(5131032525)	
057 57	2	SCHRAUBE	Item discontinued(5131032572)	
058 58	4	SCHRAUBE	Item discontinued(5131032573)	
059 59	1	BOLZEN	Item discontinued(5131032574)	
060 60	3	SCHEIBE	Item discontinued(5131032575)	
061 61	1	HUELSE	Item discontinued(5131032576)	
062 62	1	MUTTER	5131032577	4058546136598
063 63	1	MUTTER	Item discontinued(5131032578)	
064 64	1	PLATTE	Item discontinued(5131032579)	
065 65	2	SCHRAUBE	Item discontinued(5131032580)	
066 66	1	FEDER	Item discontinued(5131032581)	
067 67	1	SCHUTZVORRICHTUNG	Item discontinued(5131032582)	
068 68	1	SCHRAUBE	Item discontinued(5131032583)	
069 69	1	SCHUTZVORRICHTUNG	Item discontinued(5131032584)	
070 70	2	SCHRAUBE	Item discontinued(5131032585)	
071 71	1	EINLEGETEIL	5131032492	4058546135768
072 72	1	SCHLUESSEL	Item discontinued(5131032587)	
073 73	1	EINLEGETEIL	5131032588	4058546136703
074 74	1	FEDER	5131032589	4058546136710
075 75	1	VERBINDUNG	Item discontinued(5131032590)	
076 76	1	PLATTE	Item discontinued(5131032591)	
077 77	2	SCHEIBE	5131032521	4058546136055
078 78	2	FEDERRING	Item discontinued(5131032593)	
079 79	2	SCHRAUBE	Item discontinued(5131032594)	
080 80	1	PLATTE	5131032595	4058546136772
081 81	1	DECKEL	Item discontinued(5131032596)	
082 82	1	KNOPF	5131032597	4058546136796
083 83	1	HALTER	5131032598	4058546136802
084 84	1	SCHRAUBE	Item discontinued(5131032599)	
085 85	1	GEHAEUSE	Item discontinued(5131032600)	
086 86	4	SCHRAUBE	Item discontinued(5131032601)	
087 87	3	MUTTER	5131032602	4058546136833
088 88	1	ZAHNSTANGE	5131032603	4058546136840
089 89	3	SCHRAUBE	Item discontinued(5131032604)	
090 90	1	SCHRAUBE	Item discontinued(5131032605)	
091 91	1	SCHEIBE	5131032679	4058546137571
092 92	3	SECHSKANTMUTTER	Item discontinued(5131032808)	
093 93	4	FUSS	5131032608	4058546136895
094 94	1	SCHRAUBE	5131032610	4058546136918
095 95	1	KURBELSCHEIBE	5131032611	4058546136925
096 96	1	MUTTER	5131032612	4058546136932
097 97	1	GRIFF	5131032613	4058546136949
098 98	1	SCHRAUBE	5131032614	4058546136956
099 99	1	GRIFFDECKEL	5131032615	4058546136963
100 100	2	SCHRAUBE	Item discontinued(5131032616)	

Position	Quantity	Description	Part number	EAN
101 101	2	MUTTER	Item discontinued(5131032617)	
102 102	1	TISCH	5131032618	4058546198510
103 103	2	BLOCK	Item discontinued(5131032619)	
104 104	7	SCHEIBE	Item discontinued(5131032620)	
105 105	7	FEDERRING	Item discontinued(5131032621)	
106 106	4	SCHRAUBE	Item discontinued(5131032622)	
107 107	1	FEDER	Item discontinued(5131032623)	
108 108	7	SCHEIBE	Item discontinued(5131032620)	
109 109	1	SCHRAUBE	Item discontinued(5131032625)	
110 110	4	SCHRAUBE	Item discontinued(5131032626)	
111 111	2	SCHEIBE	Item discontinued(5131032627)	
112 112	1	DREHKNOPF	5131032628	4058546137076
113 113	1	SCHAUGLAS	5131032629	4058546137083
114 114	3	SCHEIBE	5131032842	4058546138806
115 115	5	FEDERRING	Item discontinued(5131032593)	
116 116	1	SCHRAUBE	Item discontinued(5131032632)	
117 117	2	SCHRAUBE	Item discontinued(5131032633)	
118 118	4	SCHRAUBE	5131032634	4058546137137
119 119	2	ACHSE	Item discontinued(5131032635)	
120 120	1	PLATTE	5131032636	4058546137151
121 121	1	PLATTE	5131032637	4058546137168
122 122	2	SCHRAUBE	Item discontinued(5131032516)	
123 123	1	DRUCKBLECH	Item discontinued(5131032757)	
124 124	1	Anlasser	5131032758	4058546138301
125 125	1	LEITUNG	Item discontinued(5132032759)	
126 126	1	TRENNABSAUG-SET	Item discontinued(5131032640)	
127 127	1	ANSCHLUSS	Item discontinued(5131032641)	
128 128	1	HUELSE	Item discontinued(5131032642)	
129 129	1	SCHWUNGRAD	Item discontinued(5131032643)	
130 130	1	KABELSCHUTZSCHLAUCH	Item discontinued(5131032644)	
131 131	1	KABELHAKEN	Item discontinued(5131032645)	
132 132	2	SCHEIBE	5131032521	4058546136055
133 133	4	SCHRAUBE	Item discontinued(5131032520)	
134 134	1	SCHALTER	5131032648	4058546137267
135 135	1	SICHERUNGSRING	5131032649	4058546137274
136 136	1	Schalterabdeckung	5131032650	4058546137281
137 137	1	DROSSEL	5131032651	4058546137298
138 138	1	SCHALTER	5131032652	4058546137304
139 139	1	KONDENSATOR	Item discontinued(5131032653)	
140 140	2	ANSCHLUSS	Item discontinued(5131032654)	
141 141	1	SCHALTERKAPPE	Item discontinued(5131032655)	
142 142	5	SCHRAUBE	Item discontinued(5131032656)	
143 143	1	ANSCHLUSSLEITUNG	Item discontinued(5131032802)	
144 144	2	KABELSCHUTZSCHLAUCH	Item discontinued(5131032658)	
145 145	1	KABELHAKEN	Item discontinued(5131032659)	
146 146	1	PLATTE	Item discontinued(5131032660)	
147 147	2	STUETZPLATTE	Item discontinued(5131032760)	
148 148	6	SCHEIBE	Item discontinued(5131032661)	
149 149	6	FEDERRING	Item discontinued(5131032525)	
150 150	6	SCHRAUBE	Item discontinued(5131032585)	

Position	Quantity	Description	Part number	EAN
151 151	1	KISSEN	5131032664	4058546137427
152 152	1	DRUCKBLECH	5131032497	4058546135812
154 153	1	SPANNFLANSCH	5131032498	4058546135829
155 154	1	MUTTER	Item discontinued(5131032668)	
156 155	1	KAPPE	5131032670	4058546137489
157 156	2	KNOPF	5131032671	4058546137496
158 157	1	BACKE	5131032672	4058546137502
159 158	1	KNOPF	5131032673	4058546137519
160 159	3	SCHEIBE	5131032674	4058546137526
161 160	2	ARRETIERSTIFT	5131032675	4058546137533
162 161	1	GEWINDEBOLZEN	5131032676	4058546137540
163 162	2	SCHRAUBE	Item discontinued(5131032633)	
164 163	2	SCHEIBE	5131032521	4058546136055
165 164	4	FEDERRING	Item discontinued(5131032593)	
166 165	1	ZEIGER METALL	5131032680	4058546137588
167 166	1	FUEHRUNGSLEISTE	5131032681	4058546137595
168 167	1	SCHEIBE	5131032679	4058546137571
169 168	1	WINKELANSCHLAG	Item discontinued(5131032683)	
170 169	1	EINSTELLEHRE	5131032684	4058546137625
171 170	1	KAPPE	Item discontinued(5131032685)	
172 171	2	MUTTER	Item discontinued(5131032617)	
173 172	2	KAPPE	5131032688	4058546137663
174 173	1	KAPPE	5131032689	4058546137670
175 174	1	BACKE	5131032690	4058546137687
176 175	1	KAPPE	5131032691	4058546137694
177 176	2	SCHRAUBE	5131032692	4058546137700
178 177	1	BOLZEN	5131032693	4058546137717
179 178	1	SCHEIBE	5131032694	4058546137724
180 179	1	STIFT	5131032695	4058546137731
181 180	1	ARM	5131032696	4058546137748
182 181	1	BLOCK	5131032697	4058546137755
183 182	1	STIFT	5131032698	4058546137762
184 183	1	STIFT	5131032699	4058546137779
185 184	1	MITNEHMER	5131032700	4058546137786
186 185	1	MUTTER	5131032577	4058546136598
187 186	1	GRIFF	5131032702	4058546137809
188 187	1	DECKEL	5131032703	4058546137816
189 188	2	SCHRAUBE	Item discontinued(5131032704)	
190 189	2	SCHEIBE	Item discontinued(5131032705)	
191 190	1	STANGE	5131032706	4058546137847
192 191	1	BACKE	5131032707	4058546137854
193 192	1	DISTANZSCHEIBE	5131032708	4058546137861
194 193	1	FEDER	5131032709	4058546137878
195 194	1	PLATTE	5131032710	4058546137885
196 195	2	KNOPF	5131032711	4058546137892
197 196	2	SCHEIBE	5131032679	4058546137571
198 197	1	SCHRAUBE	Item discontinued(5131032633)	
199 198	1	SCHEIBE	5131032521	4058546136055
200 199	1	FEDERRING	Item discontinued(5131032593)	
201 200	1	SCHAUGLAS	5131032716	4058546137946

Position	Quantity	Description	Part number	EAN
202 201	1	SCHLUESSEL	5131032718	4058546137953
203 202	1	SCHLUESSEL	5131032719	4058546137960
204 203	1	STAUBKAPPE	Item discontinued(5131032721)	
205 204	1	STAUBKAPPE	Item discontinued(5131032721)	
206 205	2	STIFT	5131032539	4058546136239
207 206	1	VERLAENGERUNG	5131032540	4058546136246
208 207	2	VERLAENGER.-STUECK	Item discontinued(5131032565)	
209 208	1	SCHRAUBE	5131032568	4058546136505
210 209	2	FLUEGELSCHRAUBE	5131032809	4058546138752
211 210	2	SCHRAUBE	Item discontinued(5131032592)	
212 211	1	SCHUTZ	Item discontinued(5131032630)	
213 212	1	VERRIEGELUNGSHEBEL	5131032646	4058546137250
214 213	2	SCHAFT	Item discontinued(5131032714)	
215 214	1	TRENNSCHUTZHAUBE	5131032701	4058546137793
216 215	1	DRUCKFEDER	Item discontinued(5131032663)	
217 216	1	SCHUTZ	5131032631	4058546137106
218 217	6	SCHRAUBE	Item discontinued(5131032715)	
219 218	1	SCHUTZ	5131032678	4058546137564
220 219	2	ANSCHLUSS	Item discontinued(5131032607)	
221 220	2	SCHRAUBE	Item discontinued(5131032682)	
222 221	2	SCHRAUBE	Item discontinued(5131032712)	
223 222	4	BLECH	Item discontinued(5131032686)	
224 223	1	SCHAFT	Item discontinued(5131032662)	
225 224	1	SCHAFT	Item discontinued(5131032571)	
226 225	1	BUECHSE	Item discontinued(5131032677)	
227 226	1	BUECHSE	Item discontinued(5131032713)	
228 227	1	SCHAFT	Item discontinued(5131032747)	
229 228	1	SCHUTZ	Item discontinued(5131032748)	
230 229	1	SCHEIBE	Item discontinued(5131032761)	
300 230	1	EINSTELLEHRE	Item discontinued(5131032496)	
400 231	1	FUEHRUNGSSCHIENE	5131032495	4058546135799
B01 232	1	GEWINDEBOLZEN	5131033601	4002395149407
B02 233	2	SCHEIBE	Item discontinued(5131032725)	
B03 234	2	WELLE	5131032762	4058546138349
B04 235	6	HUELSE	5131032763	4058546138356
B05 236	1	FUSS	5131032764	4058546138363
B06 237	6	HUELSE	5131032765	4058546138370
B07 238	2	MUTTER	5131032551	4058546136352
B08 239	4	SCHRAUBE	Item discontinued(5131032626)	
B09 240	4	FEDERRING	Item discontinued(5131032621)	
B10 241	4	SCHEIBE	Item discontinued(5131032766)	
B11 242	1	TRAEGER	Item discontinued(5131032767)	
B12 243	1	SCHRAUBE	5131032768	4058546138400
B13 244	1	FEDER	Item discontinued(5131032769)	
B14 245	1	BEFESTIGUNGSTEILE	5131032770	4058546138424
B15 246	2	SCHEIBE	Item discontinued(5131032526)	
B16 247	2	FEDERRING	Item discontinued(5131032593)	
B17 248	2	SCHRAUBE	Item discontinued(5131032585)	
B18 249	1	HAKEN	5131032771	4058546138431
B19 250	5	MUTTER	5131032612	4058546136932

Position	Quantity	Description	Part number	EAN
B20 251	1	KAPPE	Item discontinued(5131032772)	
B21 252	1	GLEITPLATTE	Item discontinued(5131032773)	
B22 253	1	AUFLAGEPLATTE	Item discontinued(5131032774)	
B23 254	1	GLEITPLATTE	Item discontinued(5131032775)	
B24 255	2	HUELSE	Item discontinued(5131032776)	
B25 256	2	SCHRAUBE	Item discontinued(5131032777)	
B26 257	2	SECHSKANTMUTTER	5131032778	4058546138493
B27 258	3	UNTERGEST.F.SAEGE	5131032779	4058546138509
B28 259	3	KAPPE	5131032780	4058546138516
B29 260	4	SCHRAUBE	5131032781	4058546138523
B30 261	1	EINSTELLKNOPF	5131032782	4058546138530
B31 262	1	EINSTELLMUTTER	5131032783	4058546138547
B32 263	1	UNTERGEST.F.SAEGE	5131032784	4058546138554
B33 264	1	FUSS	5131032785	4058546138561