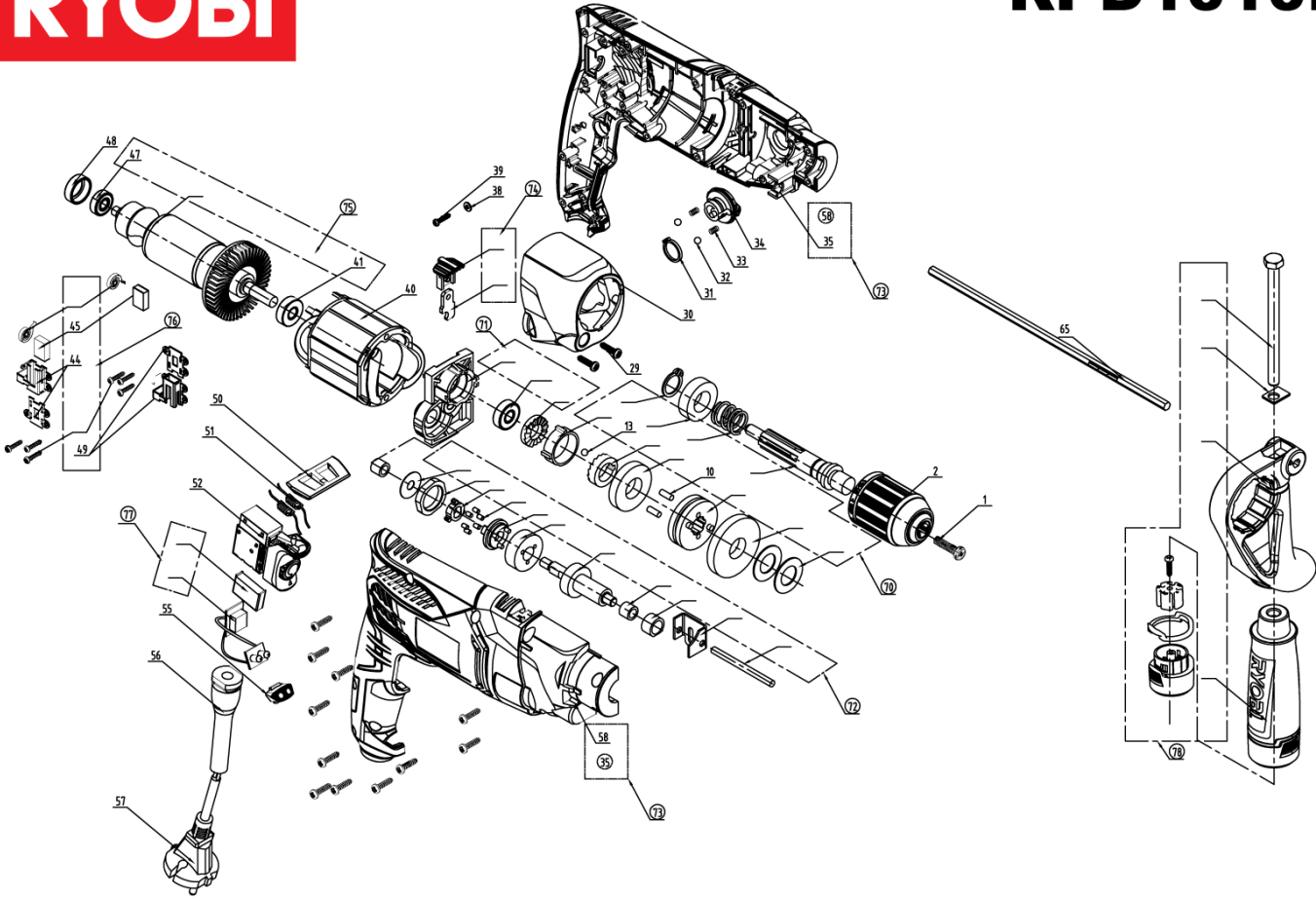


# RPD1010K Schlagbohrmaschine IN2

5133002058 - RPD1010-K - 4000444259





Position	Quantity	Description	Part number	EAN
1	1	ETIKETT	Item discontinued(5131031934)	
2	1	ETIKETT	Item discontinued(5131032054)	
001 3	1	SCHRAUBE	5131031880	4058546130169
002 4	1	BOHRFUTTER	5131031999	4058546130985
010 5	2	STIFT	Item discontinued(5131032008)	
013 6	1	KUGEL	Item discontinued(5131032011)	
029 7	15	SCHRAUBE	Item discontinued(5131031925)	
030 8	1	GETRIEBEGEHAEUSE	Item discontinued(5131032029)	
031 9	1	RETAINING RING	5131032030	4058546131296
032 10	2	KUGEL	5131032031	4058546131302
033 11	2	FEDER	Item discontinued(5131032032)	
034 12	1	DREHKNOPF	5131032033	4058546131326
038 13	1	SCHEIBE	Item discontinued(5131032036)	
039 14	1	SCHRAUBE	Item discontinued(5131032037)	
040 15	1	FELD F. ELEKTROMOTOR	5131032038	4058546131371
044 16	1	BUERSTENHALTER	5131032046	4058546131456
045 17	1	KOHLEBUERSTEN-SET	Item discontinued(5131032044)	
048 18	1	LAGERBUECHSE	5131032039	4058546131388
049 19	1	BUERSTENHALTER	Item discontinued(5131032049)	
050 20	1	WECHSELKNOPF	Item discontinued(5131032050)	
051 21	2	DROSSEL	5131031920	4058546130428
052 22	1	SCHALTER	5131032051	4058546131500
055 23	1	ABDECKUNG	Item discontinued(5131031932)	
056 24	1	KNICKSCHUTZ	Item discontinued(5131016647)	
057 25	1	ELEKTRISCHES KABEL	Item discontinued(5131032052)	
065 26	1	TIEFENANSCHLAG	5131032053	4058546131524
070 27	1	ANTRIEBSWELLE	5131032000	4058546130992
071 28	1	LAGERGEHAEUSE	5131032013	4058546131128
072 29	1	ZWISCHENWELLE	5131032017	4058546131166
073 30	1	MOTORGEHAEUSE	Item discontinued(5131032034)	
074 31	1	DRUECKER	5131032035	4058546131340
075 32	1	ANKER KOMPLETT	5131032040	4058546131395
076 33	1	KOHLEBUERSTEN-SET	Item discontinued(5131032044)	
077 34	1	LED-Baustein	Item discontinued(5131031939)	
078 35	1	ZUSATZHANDGRIFF	5131015640	4058546102111