

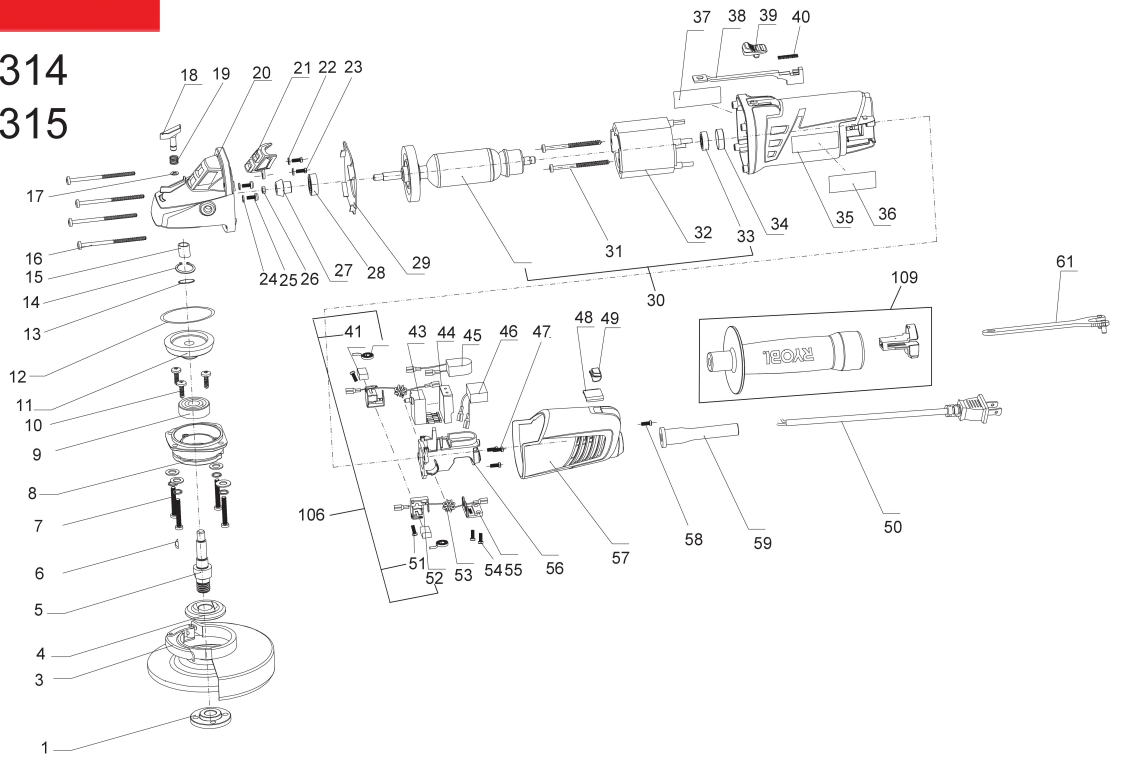
EAG750RS 750W 115 ANG.GRIND. GB

5133000543 - EAG750RS - 4000444314





4000444314
4000444315



Position	Quantity	Description	Part number	EAN
001 1	1	SPANNFLANSCH	5131033069	4002395156412
003 2	1	SCHUTZ	5131033129	4002395157228
004 3	1	SPANNFLANSCH	5131033070	4002395156429
005 4	1	GETRIEBEWELLE	5131033074	4002395156467
006 5	1	SCHLUESSEL	Item discontinued(5131033073)	
007 6	4	SCHRAUBE	Item discontinued(5131033072)	
008 7	1	GETRIEBEKAPPE	Item discontinued(5131033075)	
009 8	1	KUGELLAGER	Item discontinued(5131033076)	
010 9	3	SCHRAUBE	Item discontinued(5131033077)	
011 10	1	ZAHNRAD	5131033078	4002395157105
012 11	1	O-RING	Item discontinued(5131033079)	
013 12	1	FEDERSCHEIBE	Item discontinued(5131033080)	
014 13	1	SICHERUNGSRING	Item discontinued(5131033081)	
015 14	1	NADELLAGER	5131033083	4002395157150
016 15	4	SCHRAUBE	Item discontinued(5131033082)	
017 16	1	SICHERUNGSRING	5131033086	4002395157181
018 17	1	KNOPF	5131033084	4002395157167
019 18	1	FEDER	5131033085	4002395157174
020 19	1	GETRIEBEPLATTE	5131033087	4002395157198
021 20	1	DECKEL	Item discontinued(5131033090)	
023 21	2	SCHRAUBE	Item discontinued(5131033091)	
025 22	2	SCHRAUBE	Item discontinued(5131033094)	
026 23	1	VIERKANTMUTTER	5131033093	4002395154456
027 24	1	RITZEL	5131033088	4002395154401
028 25	1	KUGELLAGER	5131033089	4002395154418
029 26	1	GETRIEBEFLANSCH	Item discontinued(5131033095)	
030 27	1	ANKER F.ELEKTROMOTOR	5131033096	4002395154487
031 28	2	SCHRAUBE	Item discontinued(5131033092)	
032 29	1	FELD F. ELEKTROMOTOR	Item discontinued(5131033098)	
033 30	1	KUGELLAGER	Item discontinued(5131033097)	
034 31	1	GUMMIBUCHSE	Item discontinued(5131033099)	
035 32	1	MOTORGEHAEUSE	Item discontinued(5131033107)	
036 33	1	ETIKETT	Item discontinued(5131033122)	
037 34	1	ETIKETT	Item discontinued(5131033128)	
038 35	1	UMSCHALTHEBEL	Item discontinued(5131033102)	
039 36	1	KNOPF	Item discontinued(5131033101)	
040 37	1	FEDER	Item discontinued(5131033100)	
041 38	2	KOHLEBUERSTE	5131033104	4002395155163
043 39	1	SCHALTER	5131031045	4058546127459
044 40	1	KABELSCHUH	5131033111	4002395155835
045 41	1	KONTROLLEUCHTE	5131033108	4002395155804
046 42	1	KONDENSATOR	5131033109	4002395155811
047 43	3	SCHRAUBE	Item discontinued(5131033113)	
048 44	1	STUETZPLATTE	Item discontinued(5131033116)	
049 45	1	ANZEIGER	Item discontinued(5131033115)	
050 46	1	ANSCHLUSSLEITUNG	Item discontinued(5131033119)	
051 47	2	SCHRAUBE	Item discontinued(5131033106)	
052 48	2	BUERSTENHALTER	5131033105	4002395155170
053 49	2	MAGNET	Item discontinued(5131033110)	
056 50	1	TRAEGER	Item discontinued(5131033112)	

Position	Quantity	Description	Part number	EAN
057 51	1	GEHAEUSEDECKEL	Item discontinued(5131033114)	
058 52	1	SCHRAUBE	Item discontinued(5131033117)	
059 53	1	KNICKSCHUTZ	Item discontinued(5131033118)	
061 54	1	SCHLUESSEL	5131033121	4002395156542
106 55	2	KOHLEBUERSTE	Item discontinued(5131033103)	
109 56	1	ZUSATZHANDGRIFF	Item discontinued(5131033120)	