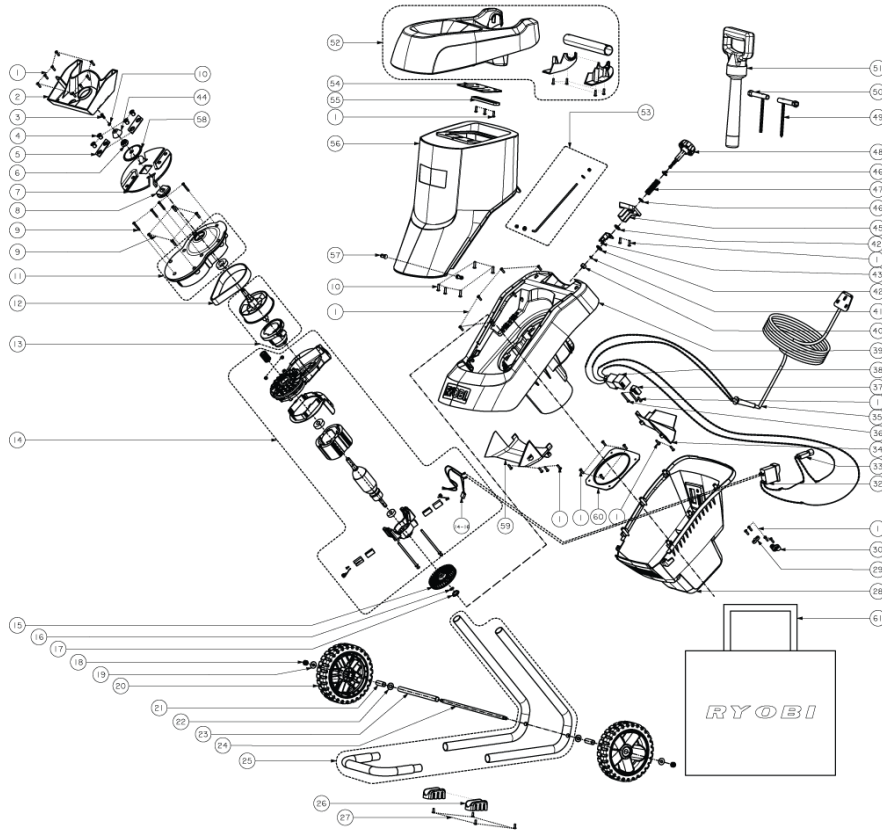


RSH2400R 2400W RAPID SHREDDER GB

5133001233 - RSH2400R - 4000444336





Position	Quantity	Description	Part number	EAN
001 1	34	SCHRAUBE	Item discontinued(5131015806)	
002 2	1	GEHAEUSE	Item discontinued(5131015807)	
003 3	1	SCHRAUBE	Item discontinued(5131019645)	
004 4	4	SCHRAUBE	5131004883	4058546087951
005 5	2	KLINGE	5131004882	4058546087944
006 6	1	MUTTER	Item discontinued(5131019646)	
007 7	1	SCHEIBE	Item discontinued(5131004881)	
008 8	1	HALTER	Item discontinued(5131004884)	
009 9	8	SCHRAUBE	Item discontinued(5131004885)	
010 10	1	SCHEIBE	Item discontinued(5131019647)	
011 11	1	GEHAEUSE	5131004929	4058546088262
012 12	1	RIEMEN	5131004886	4058546087975
013 13	1	Schwungrad	5131036579	4002395166244
014 14	1	MOTOR	Item discontinued(5131004927)	
015 15	1	LUEFTER	Item discontinued(5131004904)	
016 16	1	SPRENGRING	Item discontinued(5131004903)	
017 17	1	DECKEL	Item discontinued(5131004922)	
018 18	2	MUTTER	Item discontinued(5131004888)	
019 19	2	SCHEIBE	Item discontinued(5131004889)	
020 20	2	RAD	Item discontinued(5131004930)	
021 21	2	BAND	Item discontinued(5131004890)	
022 22	2	SCHEIBE	Item discontinued(5131004891)	
023 23	2	ROHR	Item discontinued(5131004894)	
024 24	1	SPANREISSCHUTZ	Item discontinued(5131004895)	
025 25	2	GESTELL	Item discontinued(5131004931)	
026 26	2	GLEITSCHUH	Item discontinued(5131004892)	
027 27	4	SCHRAUBE	Item discontinued(5131019649)	
028 28	1	GEHAEUSE	Item discontinued(5131036580)	
029 29	1	CLAMP CORD RSH2400R	Item discontinued(5131004896)	
030 30	1	CLAMP CORD RSH2400R	Item discontinued(5131004897)	
031 31	1	SCHAUGLAS	Item discontinued(5131004898)	
032 32	1	SCHALTER	Item discontinued(5131004900)	
033 33	1	UEBERSPANNUNGSSCHUTZ	Item discontinued(5131004899)	
034 34	1	ABDECKUNG	Item discontinued(5131004923)	
035 35	1	ELEKTRISCHES KABEL	Item discontinued(5131036581)	
036 36	2	SCREW RSH2400R	Item discontinued(5131004907)	
037 37	1	HALTER	Item discontinued(5131004905)	
038 38	1	SCHALTER	Item discontinued(5131004908)	
039 39	1	GEHAEUSE	Item discontinued(5131004887)	
040 40	1	MUTTER	Item discontinued(5131004906)	
041 41	1	SPRENGRING	Item discontinued(5131004909)	
042 42	2	SCHEIBE	Item discontinued(5131004910)	
043 43	1	KEIL	Item discontinued(5131004911)	
044 44	1	KAPPE	5131019650	4058546108564
045 45	1	KNOPF	Item discontinued(5131004915)	
046 46	2	SCHEIBE	Item discontinued(5131004912)	
047 47	1	FEDER	Item discontinued(5131004913)	
048 48	1	STELLSCHEIBE	Item discontinued(5131004932)	
049 49	1	SCHLUESSEL	Item discontinued(5131004925)	
050 50	1	INBUS-SCHLUESS.	Item discontinued(5131004919)	

Position	Quantity	Description	Part number	EAN
051 51	1	PUMPKOLBEN	Item discontinued(5131004920)	
052 52	1	FEEDER HPPER RSH2400R	Item discontinued(5131004934)	
053 53	1	FUEHRUNGSSTANGE	Item discontinued(5131004933)	
054 54	1	SCRAPS DEFEND BLOCK RSH2400R	Item discontinued(5131004918)	
055 55	1	CLAMP BAR RSH2400R	Item discontinued(5131004917)	
056 56	1	UPPER HOUSING	Item discontinued(5131004916)	
057 57	2	STIFT	Item discontinued(5131004914)	
058 58	1	SPANNFLANSCH	Item discontinued(5131004880)	
059 59	1	DISCHARGE CHUTE RSH2400R	Item discontinued(5131004921)	
060 60	1	PLATE RSH2400R	Item discontinued(5131004902)	
061 61	1	TASCHE	Item discontinued(5131004926)	