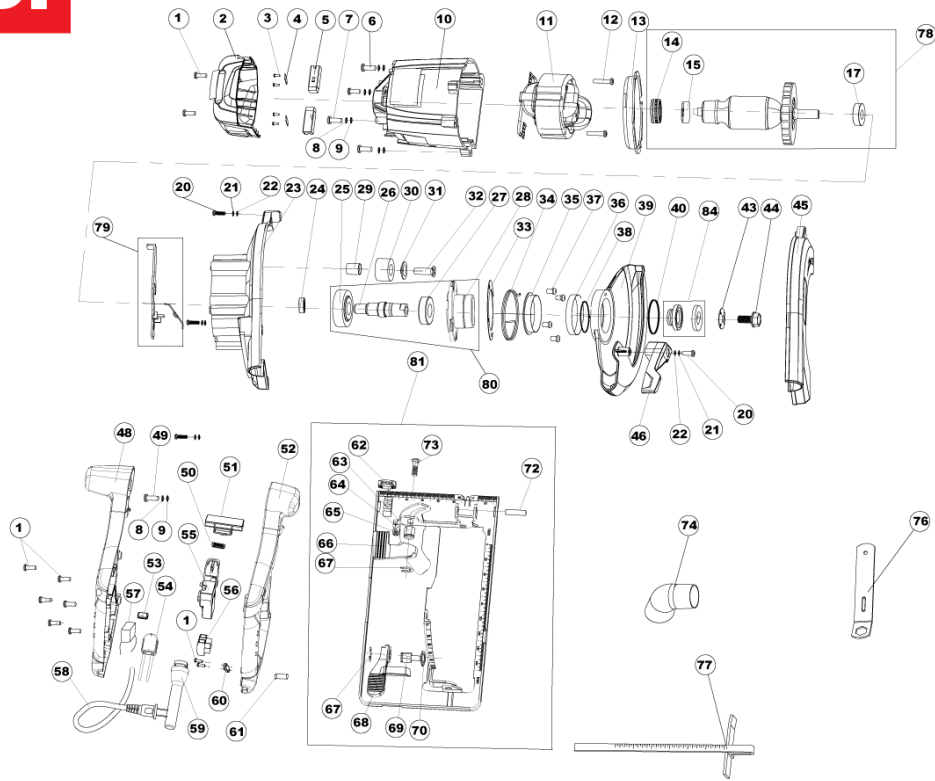


EWS1150RS 1150W HANDKREISSAEGE GB2

5133002247 - EWS1150RS UK - 4000444347





Position	Quantity	Description	Part number	EAN
001 1	12	SCHRAUBE	5131032922	4002395170784
002 2	1	GEHAEUSEDECKEL	5131032923	4002395170791
003 3	4	SCHRAUBE	5131032924	4002395171408
004 4	2	HALTERUNG	5131032925	4002395171415
005 5	2	BUERST.HALTER KOMPL	5131032926	4002395171422
006 6	2	SCHRAUBE	5131032927	4002395171439
007 7	2	SCHRAUBE	5131032928	4002395171446
008 8	5	SCHEIBE	5131032929	4002395171453
009 9	5	FEDERRING	5131032930	4002395171460
010 10	1	MOTORGEHAEUSE	5131032931	4002395171477
011 11	1	Feld fuer Elektromotor	5131032932	4002395171484
012 12	2	SCHRAUBE	5131032933	4002395171491
013 13	1	VENTILATORGEHAEUSE	5131032934	4002395154005
014 14	1	LAGERBUECHSE	5131032936	4002395154029
015 15	1	KUGELLAGER	5131032937	4002395154036
017 16	1	KUGELLAGER	5131032938	4002395154043
020 17	4	SCHRAUBE	5131032940	4002395154067
021 18	4	SCHEIBE	5131032941	4002395154074
022 19	4	FEDERRING	5131032942	4002395154081
023 20	1	KURBELGEHAEUSE	5131032943	4002395154098
024 21	1	KUGELLAGER	5131032944	4002395154708
025 22	1	ZAHNRAD	5131032946	4002395154722
026 23	1	GETRIEBEWELLE	5131032947	4002395154739
027 24	1	KUGELLAGER	5131032948	4002395154746
028 25	1	LAGERDECKEL	5131032949	4002395154753
029 26	1	HUELSE	5131032950	4002395154760
030 27	1	STOSSFAENGER	5131032951	4002395154777
031 28	1	SCHEIBE	5131032952	4002395154784
032 29	1	SCHRAUBE	5131032953	4002395154791
033 30	1	DICHTUNG	5131032954	4002395155408
034 31	1	FEDER	5131032955	4002395155415
035 32	1	HUELSE	5131032956	4002395155422
036 33	1	HUELSE	5131032957	4002395155439
037 34	4	SCHRAUBE	5131032958	4002395155446
038 35	1	O-RING	5131032959	4002395155453
039 36	1	SCHUTZ	5131032960	4002395155460
040 37	1	Federring	5131032961	4002395155477
043 38	1	SCHEIBE	5131032963	4002395155491
044 39	1	BOLZEN	5131032964	4002395156108
045 40	1	BOLZEN	5131032964	4002395156108
046 41	1	ARM	5131032966	4002395156122
048 42	1	Handgriffhaelfte links	5131032967	4002395156139
049 43	1	SCHEIBE	5131032968	4002395156146
050 44	1	FEDER	5131032969	4002395156153
051 45	1	VERSCHLUSS	5131032970	4002395156160
052 46	1	Handgriffhaelfte rechts	5131032971	4002395156177
053 47	1	FUEHRUNG	5131032972	4002395156184
054 48	1	KONTROLLEUCHTE	5131032973	4002395156191
055 49	1	SCHALTER	5131032974	4002395156801
056 50	1	ANSCHLUSS	5131032975	4002395156818

Position	Quantity	Description	Part number	EAN
057 51	1	KONDENSATOR	5131032976	4002395156825
058 52	1	ELEKTRISCHES KABEL	Item discontinued(5131032977)	
059 53	1	KNICKSCHUTZ	5131032978	4002395156849
060 54	1	HALTERUNG	5131032979	4002395156856
061 55	1	KNICKSCHUTZ	5131032980	4002395156863
062 56	1	KNOPF	5131032982	4002395156887
063 57	1	MUTTER	5131032983	4002395156894
064 58	1	SCHRAUBE	5131032984	4002395154111
065 59	1	MUTTER	5131032985	4002395154128
066 60	1	ARM	5131032986	4002395154135
067 61	2	FEDERKLEMME	5131032987	4002395154142
068 62	1	ARM	5131032988	4002395154159
069 63	1	SCHRAUBE	5131032989	4002395154166
070 64	1	SCHEIBE	5131032990	4002395154173
072 65	1	ACHSE	5131032991	4002395154180
073 66	1	SCHRAUBE	5131032992	4002395154197
074 67	1	ADAPTER	5131032993	4002395154807
076 68	1	SCHLUESSEL	5131032994	4002395154814
077 69	1	FUEHRUNGSELEMENT	5131032995	4002395154821
078 70	1	ANKER F.ELEKTROMOTOR	5131032935	4002395154012
079 71	1	SPINDELARRETIERUNG	5131032939	4002395154050
080 72	1	GETRIEBEKASTEN	5131032945	4002395154715
081 73	1	SAEGETISCH	Item discontinued(5131032981)	
084 74	1	FLANSCH	Item discontinued(5131032962)	