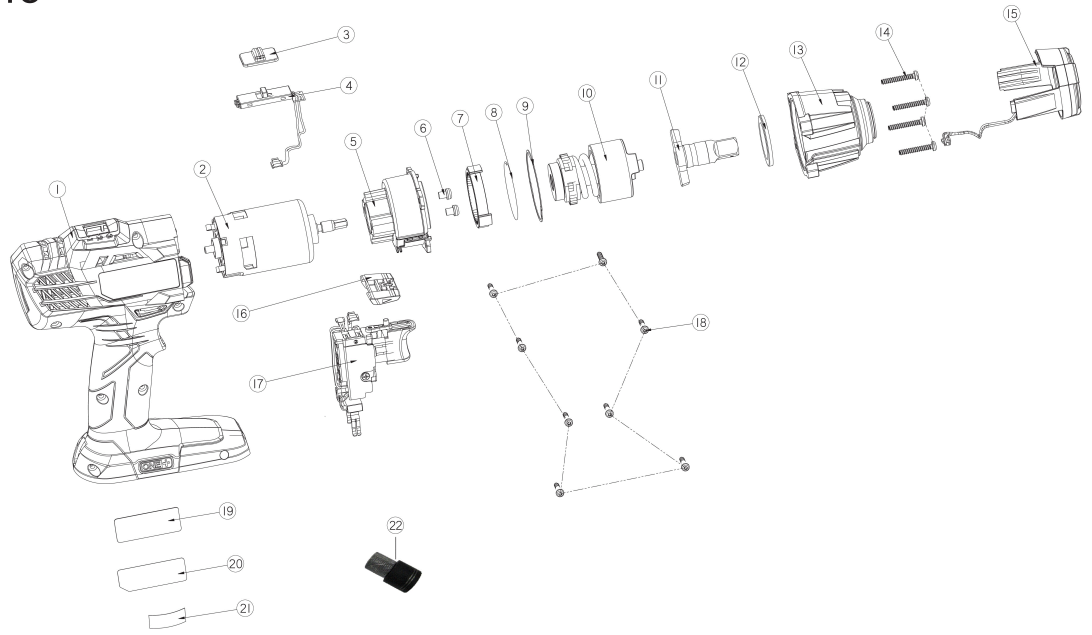


R18IW3-140SF AKKU-SCHLAGSCHRAUBER GB2

5133005926 - R18IW3-140SF - 4000444448



4000444448



| Position | Quantity | Description | Part number | EAN |
|----------|----------|-------------------------|-------------------------------|---------------|
| 001 1 | 1 | MOTORGEHAEUSE | 5131032996 | 4002395155569 |
| 002 2 | 1 | MOTOR | 5131032997 | 4002395155576 |
| 003 3 | 1 | KNOPF | 5131032998 | 4002395155583 |
| 004 4 | 1 | SCHALTER | 5131032999 | 4002395155590 |
| 005 5 | 1 | GETRIEBEGEHAUSE | 5131033000 | 4002395156207 |
| 006 6 | 2 | SCHRAUBE | 5131033001 | 4002395156214 |
| 007 7 | 1 | ZAHNRAD | 5131033002 | 4002395156221 |
| 008 8 | 1 | RETAINING RING | Item discontinued(5131033003) | |
| 009 9 | 1 | DICHTUNGSPLATTE | 5131033004 | 4002395156245 |
| 010 10 | 1 | GETRIEBEKASTEN | 5131033005 | 4002395156252 |
| 011 11 | 1 | NOCKENWELLE | 5131033006 | 4002395156269 |
| 012 12 | 1 | SCHEIBE | 5131016029 | 4058546171100 |
| 013 13 | 1 | GETRIEBEBEDECKEL | 5131033007 | 4002395156276 |
| 014 14 | 4 | SCHRAUBE | 5131033008 | 4002395156283 |
| 015 15 | 1 | LED | 5131033009 | 4002395156290 |
| 016 16 | 1 | KNOPF | 5131033010 | 4002395156900 |
| 017 17 | 1 | SCHALTER | 5131033011 | 4002395156917 |
| 018 18 | 8 | SCHRAUBE | 5131033012 | 4002395156924 |
| 019 19 | 1 | ETIKETT | 5131033013 | 4002395156931 |
| 020 20 | 1 | ETIKETT | 5131033014 | 4002395156948 |
| 021 21 | 1 | ETIKETT | Item discontinued(5131033015) | |
| 022 22 | 1 | BIT-ADAPTER 6,35MM | 5131031991 | 4058546130923 |
| 23 | 1 | RAK28SD Bitset (28tlg.) | Item discontinued(5132002250) | |