

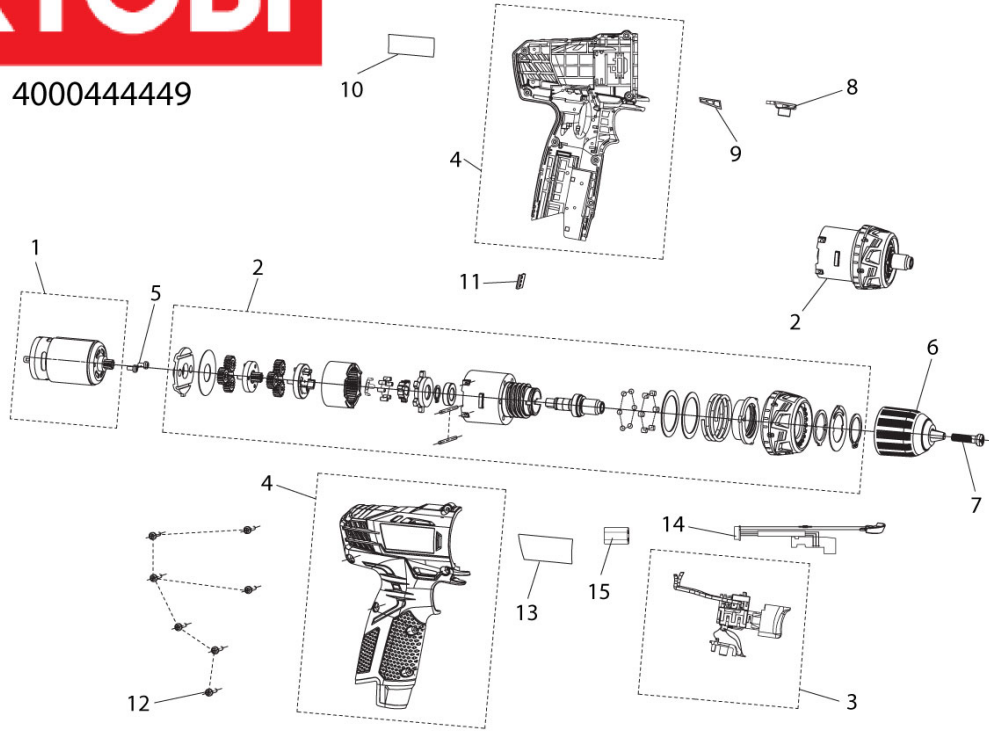
# RCD12011L/1x1.3Ah Akku-Bohrschrauber

5133001156 - RCD12011L - 4000444449





4000444449



Position	Quantity	Description	Part number	EAN
1	1	Akkumulator	Item discontinued(5131030110)	
2	1	LADEAGGREGAT BCL12L1H	5131030119	4058546067823
001 3	1	MOTOR	5131037417	4002395281367
002 4	1	LADEAGGREGAT BCL12L1H	5131030119	4058546067823
002 5	1	GETRIEBEKASTEN	Item discontinued(5131030092)	
003 6	1	SCHALTER	5131037418	4002395281374
004 7	1	GEHAEUSE	Item discontinued(5131037419)	
005 8	2	SCHRAUBE	Item discontinued(5131011422)	
006 9	1	SCHNELLSP. BOHRFUTT.	5131030095	4058546122362
007 10	1	SCHRAUBE	5131030096	4058546122379
008 11	1	DRUECKER	Item discontinued(5131037420)	
009 12	1	ETIKETT	Item discontinued(5131030098)	
010 13	1	ETIKETT	5131037421	4002395282005
011 14	1	FEDERKLEMME	5131030100	4058546122409
012 15	7	SCHRAUBE	5131031089	4058546127633
013 16	1	ETIKETT	Item discontinued(5131030101)	
014 17	1	ELEKTRONIK	5131037422	4002395282012
015 18	1	KNICKSCHUTZ	5131037423	4002395282029
001 19	1	Akkumulator	Item discontinued(5131030110)	