

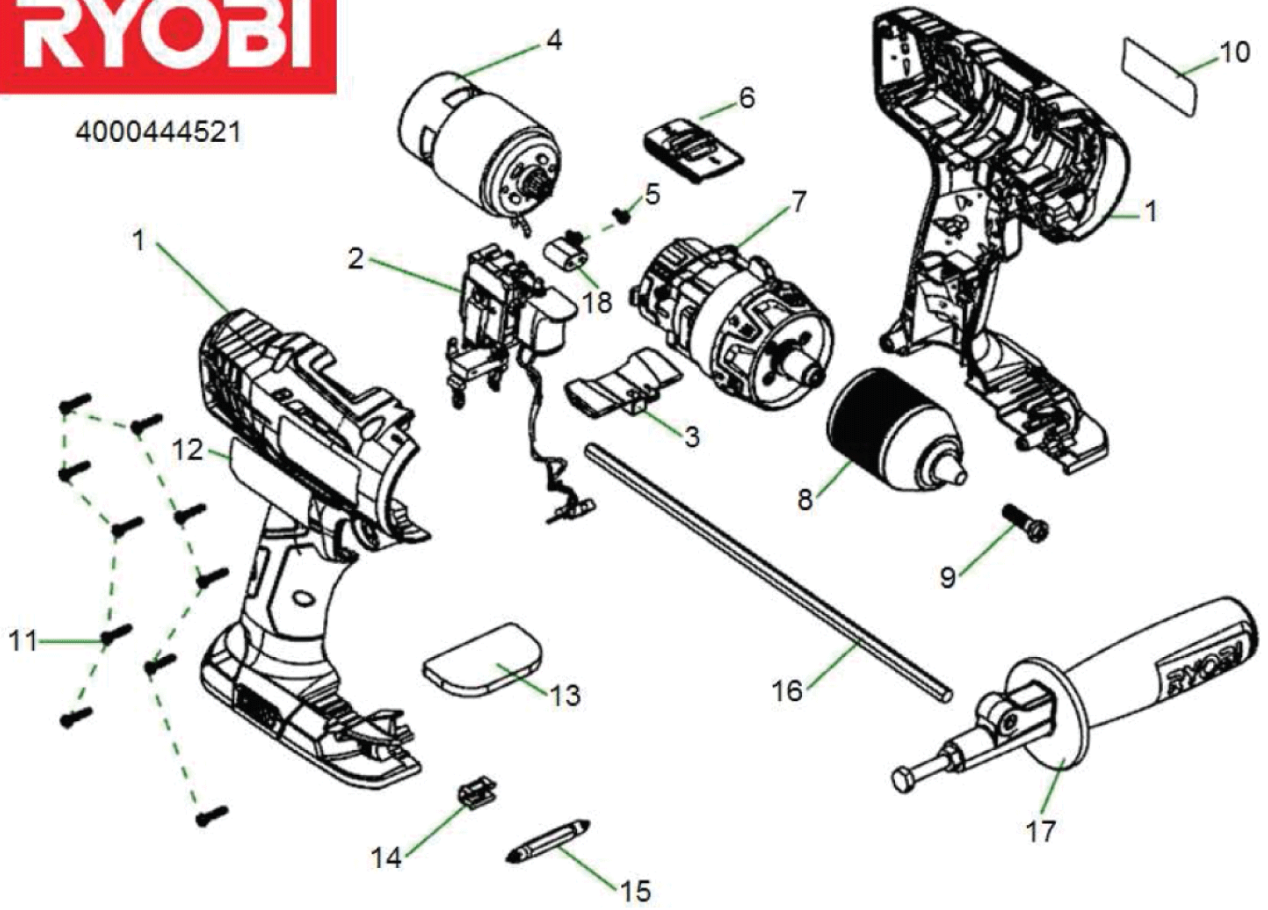
R18PD-LL25S Schlagbohrschr. 18V EU IN2

5133002480 - R18PD-LL25S - 4000444521





4000444521



Position	Quantity	Description	Part number	EAN
001 1	1	GEHAEUSE	5131033429	4002395164264
002 2	1	SCHALTER	5131033430	4002395164271
003 3	1	KNOPF	Item discontinued(5131033431)	
004 4	1	MOTOREINHEIT	Item discontinued(5131033432)	
005 5	2	SCHRAUBE	5131033433	4002395161102
006 6	1	KNOPF	Item discontinued(5131033434)	
007 7	1	GETRIEBEKASTEN	5131033435	4002395161126
008 8	1	BOHRFUTTER	5131017815	4058546106478
009 9	1	SCHRAUBE	Item discontinued(5131033455)	
010 10	1	ETIKETT	5131019705	4058546067700
011 11	10	SCHRAUBE	Item discontinued(5131033436)	
012 12	1	ETIKETT	Item discontinued(5131033437)	
013 13	1	MAGNET	5131031877	4058546130152
014 14	1	Bithalter	Item discontinued(5131002001)	
016 15	1	TIEFENANSCHLAG	5131017604	4058546105839
017 16	1	HANDGRIFF-SET	5131033438	4002395161157
018 17	1	KNICKSCHUTZ	Item discontinued(5131029477)	
015 18	1	DOUBLE BIT (PH2 S6 L=50MM)	Item discontinued(5132001236)	