

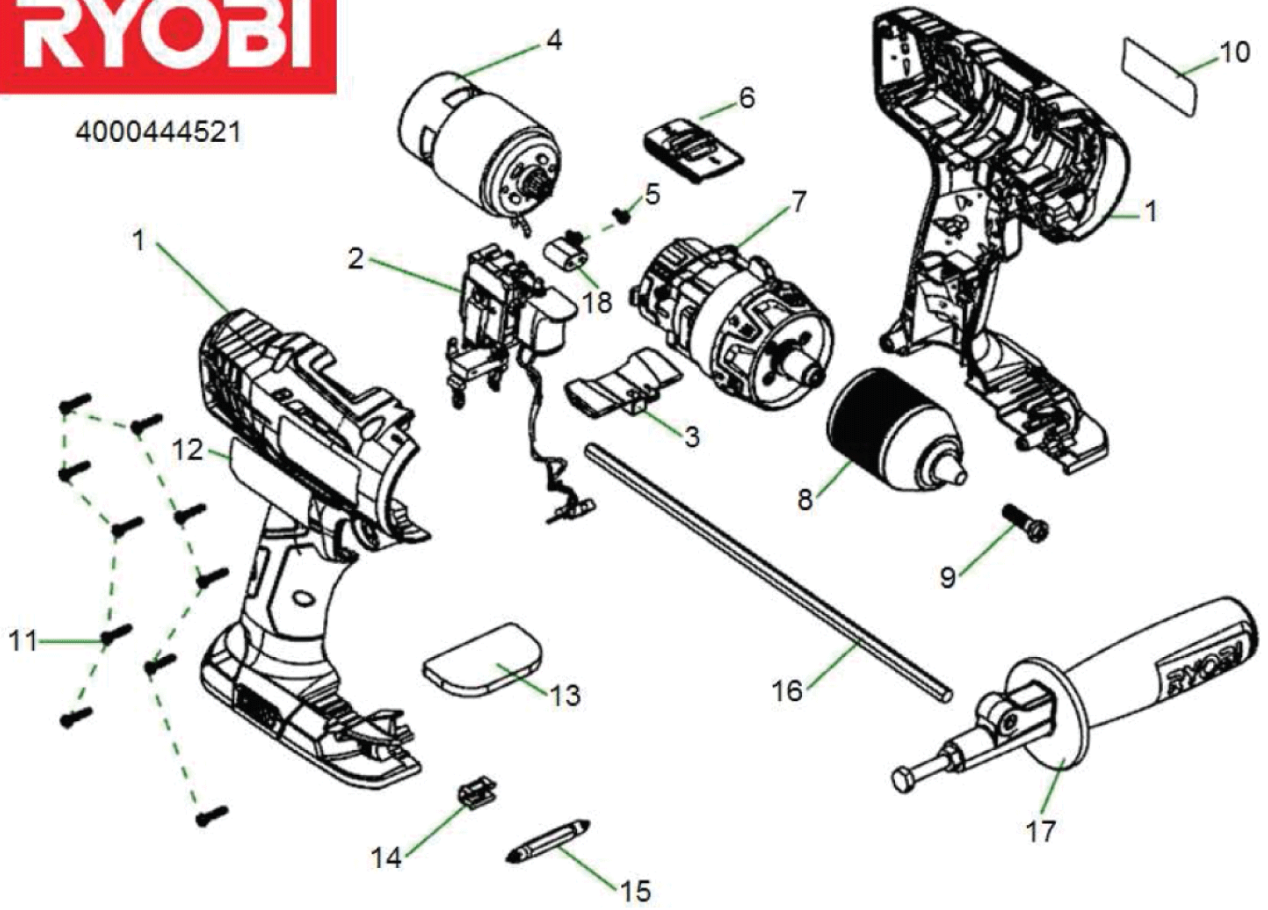
R18PD-LL25T 18V Schlagbohrschrauber IN2

5133002454 - R18PD-LL25T 18V EU - 4000444521





4000444521



| Position | Quantity | Description | Part number | EAN |
|----------|----------|----------------------------|-------------------------------|---------------|
| 001 1 | 1 | GEHAEUSE | 5131033429 | 4002395164264 |
| 002 2 | 1 | SCHALTER | 5131033430 | 4002395164271 |
| 003 3 | 1 | KNOPF | Item discontinued(5131033431) | |
| 004 4 | 1 | MOTOREINHEIT | Item discontinued(5131033432) | |
| 005 5 | 2 | SCHRAUBE | 5131033433 | 4002395161102 |
| 006 6 | 1 | KNOPF | Item discontinued(5131033434) | |
| 007 7 | 1 | GETRIEBEKASTEN | 5131033435 | 4002395161126 |
| 008 8 | 1 | BOHRFUTTER | 5131017815 | 4058546106478 |
| 009 9 | 1 | SCHRAUBE | Item discontinued(5131033455) | |
| 010 10 | 1 | ETIKETT | 5131019705 | 4058546067700 |
| 011 11 | 10 | SCHRAUBE | Item discontinued(5131033436) | |
| 012 12 | 1 | ETIKETT | Item discontinued(5131033437) | |
| 013 13 | 1 | MAGNET | 5131031877 | 4058546130152 |
| 014 14 | 1 | Bithalter | Item discontinued(5131002001) | |
| 016 15 | 1 | TIEFENANSCHLAG | 5131017604 | 4058546105839 |
| 017 16 | 1 | HANDGRIFF-SET | 5131033438 | 4002395161157 |
| 018 17 | 1 | KNICKSCHUTZ | Item discontinued(5131029477) | |
| 015 18 | 1 | DOUBLE BIT (PH2 S6 L=50MM) | Item discontinued(5132001236) | |