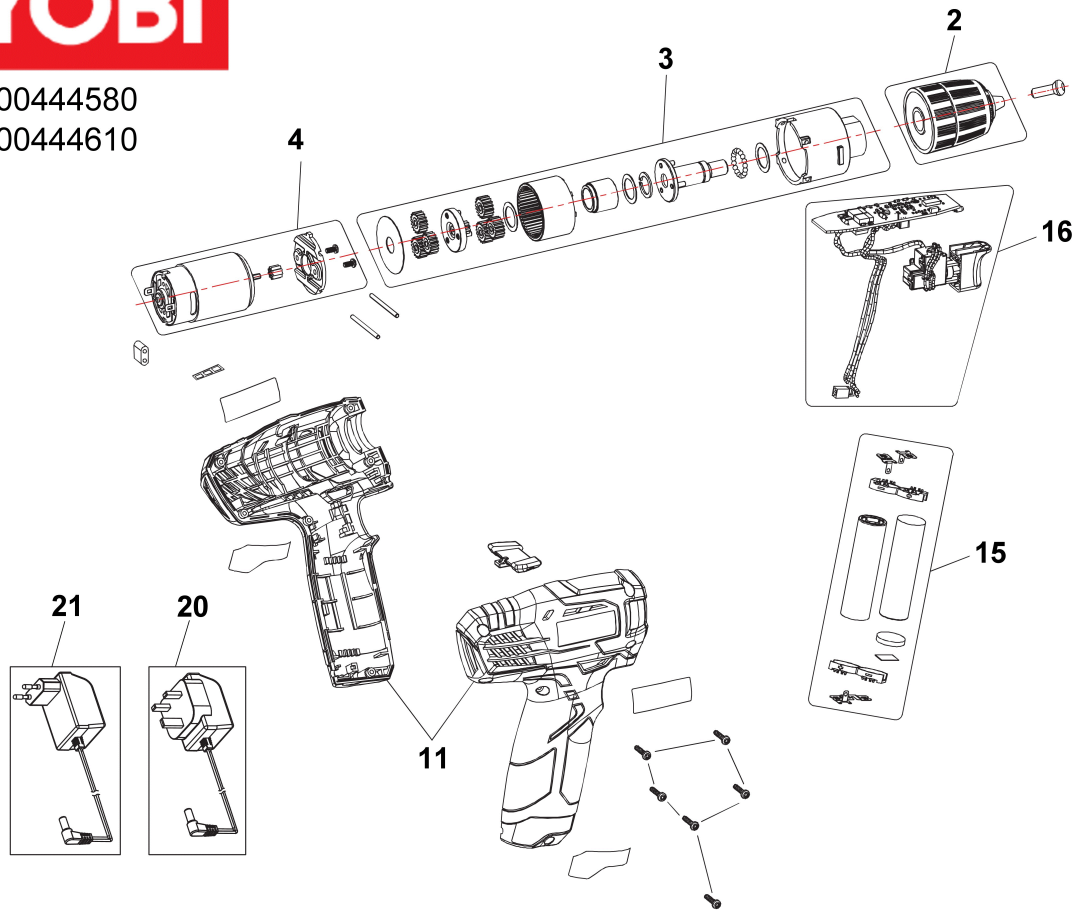


# **R7SD-L13G Bohrschrauber 7.2V EU XXX**

**5133002484 - R7SD-L13G 7.2V EU - 4000444580**



4000444580  
4000444610



Position	Quantity	Description	Part number	EAN
002 1	1	BOHRFUTTER	5131032503	4058546135874
003 2	1	GETRIEBEKASTEN	Item discontinued(5131033567)	
004 3	1	MOTOREINHEIT	Item discontinued(5131033568)	
011 4	1	GEHAEUSE	Item discontinued(5131033569)	
015 5	1	AKKU-PACK	Item discontinued(5131033570)	
016 6	1	SCHALTER M.ELEKTRO.	Item discontinued(5131033571)	
021 7	1	ELEKTRISCHES KABEL	Item discontinued(5131039359)	