

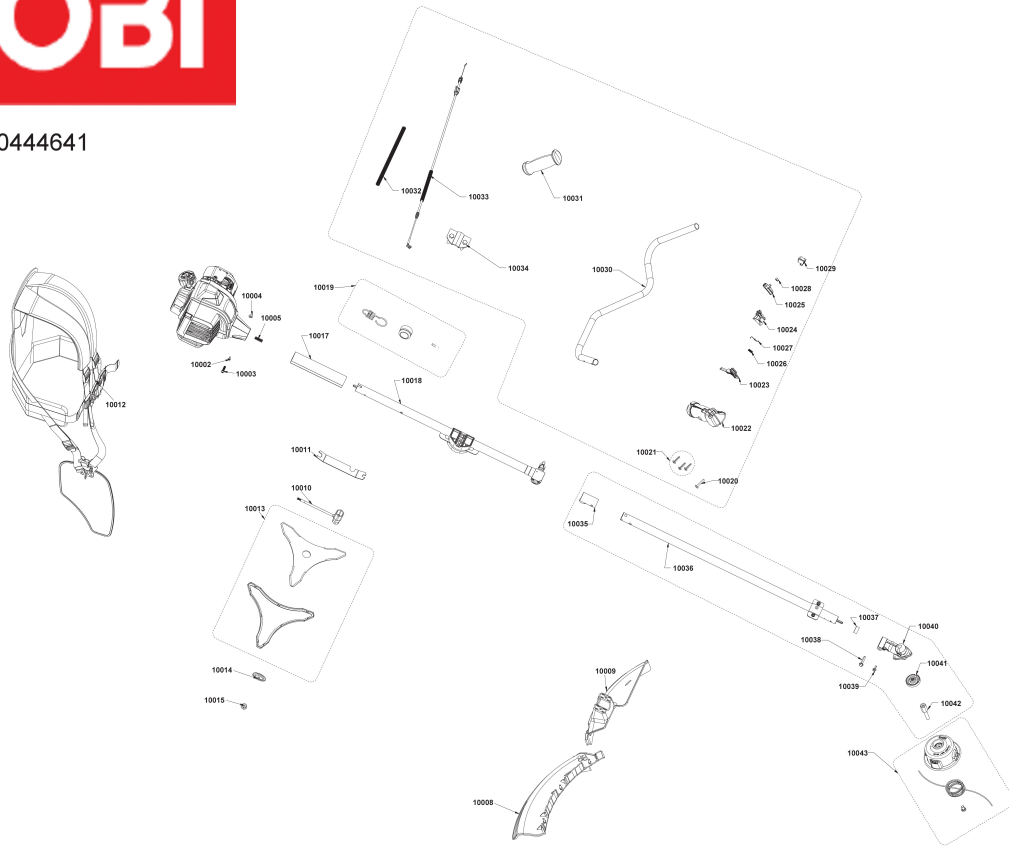
RBC254SBSO Motorsense

5133002537 - RBC254SBSO - 4000444641





4000444641



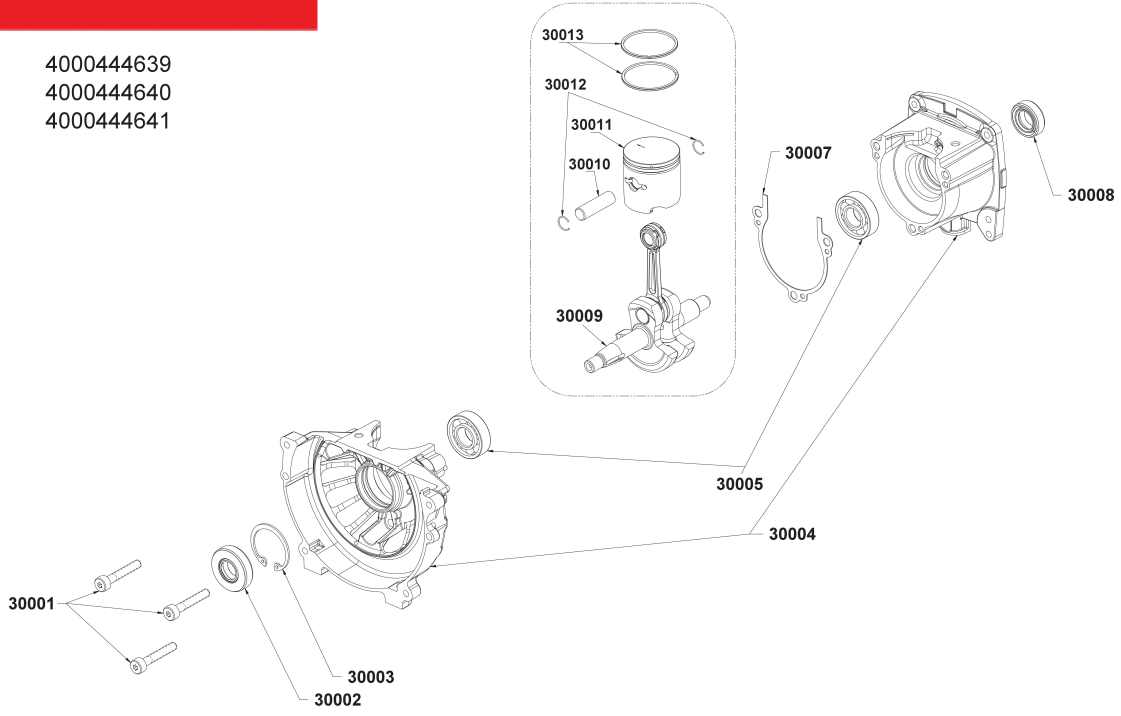


4000444641
part 20040 detail in view 3





4000444639
4000444640
4000444641



| Position | Quantity | Description | Part number | EAN |
|----------|----------|-------------------------|-------------------------------|---------------|
| 1002 1 | 1 | SCHRAUBE | 5131034616 | 4058546142445 |
| 1003 2 | 1 | SCHRAUBE | 5131035135 | 4058546146351 |
| 1004 3 | 1 | SCHRAUBENMUTTER | 5131011759 | 4058546690762 |
| 1005 4 | 1 | Feder | 5131001907 | 4058546083700 |
| 1008 5 | 1 | SCHUTZ | 5131019388 | 4058546108366 |
| 1009 6 | 1 | SCHUTZ | 5131019387 | 4002395274840 |
| 1010 7 | 1 | Kerzenschlüssel | 5131000880 | 4058546079666 |
| 1011 8 | 1 | SCHLUESSEL | 5131033809 | 4002395140411 |
| 1012 9 | 1 | Tragegurt | 5131035095 | 4058546146030 |
| 1013 10 | 1 | KLINGE | Item discontinued(5131036653) | |
| 1014 11 | 1 | Unterlegscheibe | 5131035092 | 4058546146009 |
| 1015 12 | 1 | Messermutter M8-1.25 LH | 5131001056 | 4058546080754 |
| 1017 13 | 1 | GRIFF | Item discontinued(5131036649) | |
| 1018 14 | 1 | ANTRIEBSSCHAFT | Item discontinued(5131033812) | |
| 1019 15 | 1 | KLEMMBUEGEL | 5131008553 | 4058546092955 |
| 1020 16 | 1 | Schraube | 5131001855 | 4058546083564 |
| 1021 17 | 3 | Schraube | 5131001850 | 4058546083533 |
| 1022 18 | 1 | Handgriff Re | 5131001697 | 4058546082871 |
| 1023 19 | 1 | SPERRSTUECK | 5131034513 | 4058546141752 |
| 1024 20 | 1 | DRUECKER | 5131033813 | 4002395140459 |
| 1025 21 | 1 | KNOPF | 5131034515 | 4058546141776 |
| 1026 22 | 1 | Feder | 5131001888 | 4058546083663 |
| 1027 23 | 1 | Feder Gashebel | 5131001887 | 4058546083656 |
| 1028 24 | 1 | Mutter | 5131001059 | 4058546080785 |
| 1029 25 | 1 | SCHALTER | Item discontinued(5131033814) | |
| 1030 26 | 1 | BUEGELGRIFF | Item discontinued(5131033815) | |
| 1031 27 | 1 | HANDGRIFF | 5131035067 | 4058546145804 |
| 1032 28 | 1 | Schutzhuelle | 5131001702 | 4058546082895 |
| 1033 29 | 1 | LEITUNG | Item discontinued(5131033816) | |
| 1034 30 | 1 | KLEMMBUEGEL | Item discontinued(5131019385) | |
| 1035 31 | 1 | STOPFEN | 5131018500 | 4058546107161 |
| 1036 32 | 1 | ANTRIEBSSCHAFT | Item discontinued(5131033817) | |
| 1037 33 | 1 | DISTANZRING | 5131018499 | 4058546107154 |
| 1038 34 | 1 | Schraube | 5131035058 | 4058546145736 |
| 1039 35 | 1 | Schraube | 5131035057 | 4058546145729 |
| 1040 36 | 1 | GETRIEBEKOPF | 5131034463 | 4058546141325 |
| 1041 37 | 1 | U-Scheibe Flansch | 5131035094 | 4058546146023 |
| 1042 38 | 1 | ANTRIEBSWELLE | 5131011757 | 4058546098612 |
| 1043 39 | 1 | FADENKOPF | Item discontinued(5131033818) | |
| 2001 40 | 4 | SCHRAUBE | 5131000411 | 4058546077549 |
| 2002 41 | 1 | GEHAEUSE | 5131033819 | 4002395141111 |
| 2003 42 | 2 | SCHRAUBE | 5131011465 | 4058546097998 |
| 2004 43 | 2 | SCHEIBE | 5131012478 | 4058546099855 |
| 2005 44 | 1 | KUPPLUNG | 5131034919 | 4058546144579 |
| 2006 45 | 2 | SCHEIBE | 5131012477 | 4058546099848 |
| 2007 46 | 1 | SCHRAUBENMUTTER | 5131012474 | 4058546057466 |
| 2008 47 | 1 | SCHWUNGRAD | 5131033820 | 4002395141128 |
| 2010 48 | 2 | SCHRAUBE | 5131011554 | 4058546098452 |
| 2011 49 | 1 | LEITUNG | 5131033821 | 4002395141135 |
| 2012 50 | 1 | ZUENDANLAGE | 5131033822 | 4002395141142 |

| Position | Quantity | Description | Part number | EAN |
|----------|----------|--------------------------------------|-------------------------------|---------------|
| 2013 51 | 2 | WASHER PBC254YES | 5131035879 | 4058546152680 |
| 2014 52 | 2 | DISTANZSTUECK | Item discontinued(5131009544) | |
| 2015 53 | 2 | SCHRAUBE | 5131011460 | 4058546097974 |
| 2016 54 | 1 | DECKEL | Item discontinued(5131034923) | |
| 2017 55 | 1 | SCHALLDAEMPFER | Item discontinued(5131033823) | |
| 2018 56 | 1 | DICHTUNG | Item discontinued(5131033824) | |
| 2019 57 | 1 | ABDECKUNG | 5131033825 | 4002395141173 |
| 2020 58 | 2 | SCHRAUBE | 5131011463 | 4058546097981 |
| 2021 59 | 3 | SCHRAUBE | 5131011481 | 4058546098070 |
| 2022 60 | 1 | ZUGSTARTER | 5131033826 | 4002395141180 |
| 2023 61 | 1 | AUFNAHMESCHAFT | 5131033827 | 4002395141197 |
| 2024 62 | 1 | SPERRSTUECK | 5131033828 | 4002395141807 |
| 2025 63 | 1 | ABWEISER | Item discontinued(5131033829) | |
| 2026 64 | 1 | DICHTUNG | 5131033830 | 4002395141821 |
| 2027 65 | 2 | SCHRAUBE | Item discontinued(5131033831) | |
| 2028 66 | 1 | DICHTUNG | 5131033832 | 4002395141845 |
| 2029 67 | 1 | VERGASER | 5131033833 | 4002395141852 |
| 2031 68 | 2 | BOLZEN | 5131033834 | 4002395141869 |
| 2032 69 | 1 | Filter Element | 5131028328 | 4058546056513 |
| 2033 70 | 1 | DECKEL | Item discontinued(5131033835) | |
| 2034 71 | 1 | KAPPE | 5131034914 | 4058546144524 |
| 2035 72 | 1 | BEHAELTER | Item discontinued(5131034913) | |
| 2036 73 | 3 | SCHRAUBE TANKBEFESTIGUNG | 5131011556 | 4058546098476 |
| 2040 74 | 1 | KURBELGEHAEUSE | 5131033836 | 4002395141883 |
| 2041 75 | 1 | ZYLINDERDICHTUNG | 5131033837 | 4002395141890 |
| 2042 76 | 1 | ZYLINDER | 5131033838 | 4002395142507 |
| 2043 77 | 2 | SCHRAUBE | 5131034921 | 4058546144593 |
| 2044 78 | 1 | Zuendkerze | 5131001166 | 4043673001628 |
| 2045 79 | 1 | HEBEL | 5131033839 | 4002395142514 |
| 2046 80 | 1 | GRUNDPLATTE | 5131033840 | 4002395142521 |
| 2047 81 | 2 | ZWISCHENSTUECK | 5131033841 | 4002395142538 |
| 2048 82 | 1 | DISTANZPLATTE | 5131033842 | 4002395142545 |
| 2049 83 | 1 | SCHRAUBE | Item discontinued(5131011457) | |
| 3001 84 | 3 | SCHRAUBE | Item discontinued(5131011461) | |
| 3002 85 | 1 | DICHTUNG | 5131009396 | 4058546094478 |
| 3003 86 | 1 | Sicherungsring | 5131001912 | 4058546083731 |
| 3004 87 | 1 | KURBELGEHAEUSE | Item discontinued(5131037363) | |
| 3005 88 | 2 | KUGELLAGER | 5131037364 | 4002395279524 |
| 3007 89 | 1 | DICHTUNG | 5131013194 | 4058546100575 |
| 3008 90 | 1 | DICHTUNG | Item discontinued(5131009397) | |
| 3009 91 | 1 | KURBELWELLE | Item discontinued(5131037365) | |
| 3010 92 | 1 | KOLBENBOLZEN | Item discontinued(5131010582) | |
| 3011 93 | 1 | Kolben | 5131000921 | 4058546079888 |
| 3012 94 | 2 | SICHERUNGSRING | 5131012475 | 4058546099831 |
| 3013 95 | 2 | Kolbenring | 5131001128 | 4058546056032 |
| 96 | 1 | RAC115 Doppelfadenkopf ReelEasy | 5132002578 | 4892210816863 |
| 97 | 1 | RAC117 TriArc Schlagmesser f. Sensen | 5132002668 | 4892210819734 |