

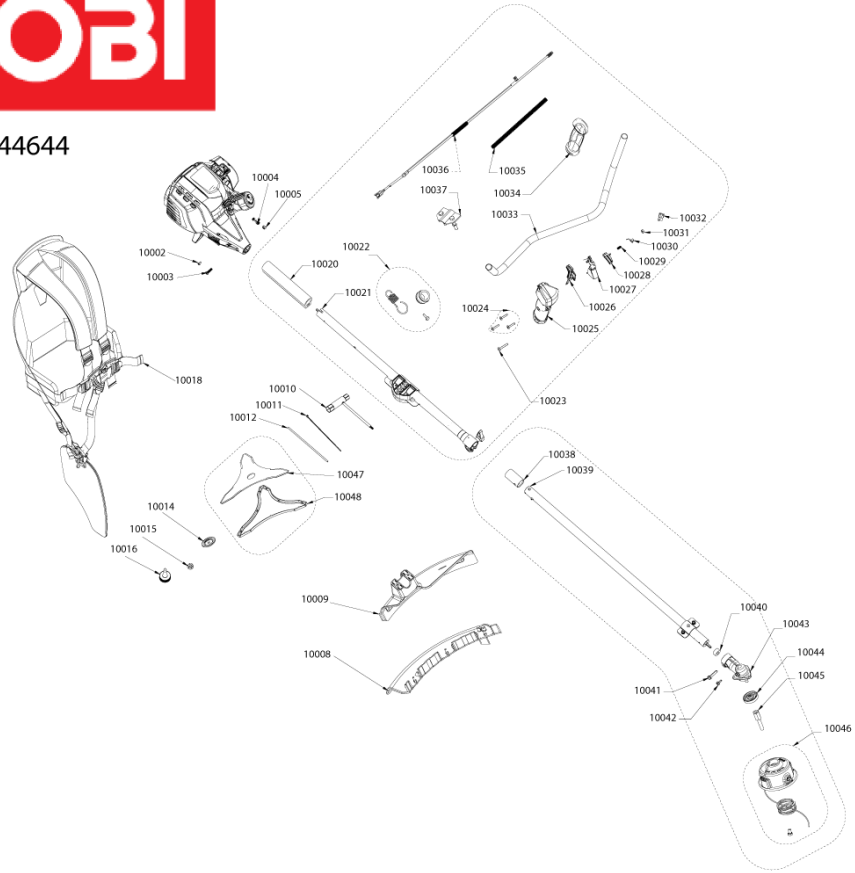
RBC430BSD Motorsense

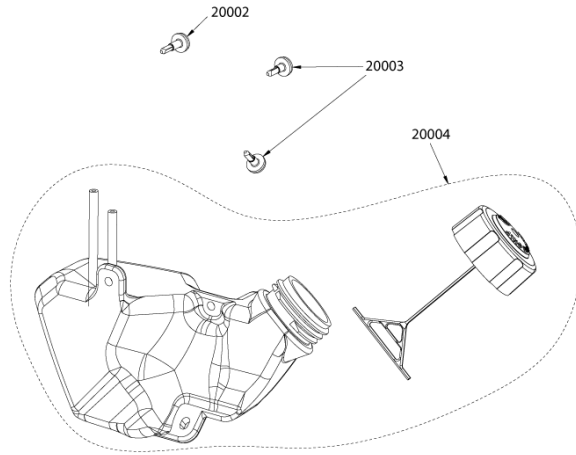
5133002548 - RBC430BSD - 4000444644

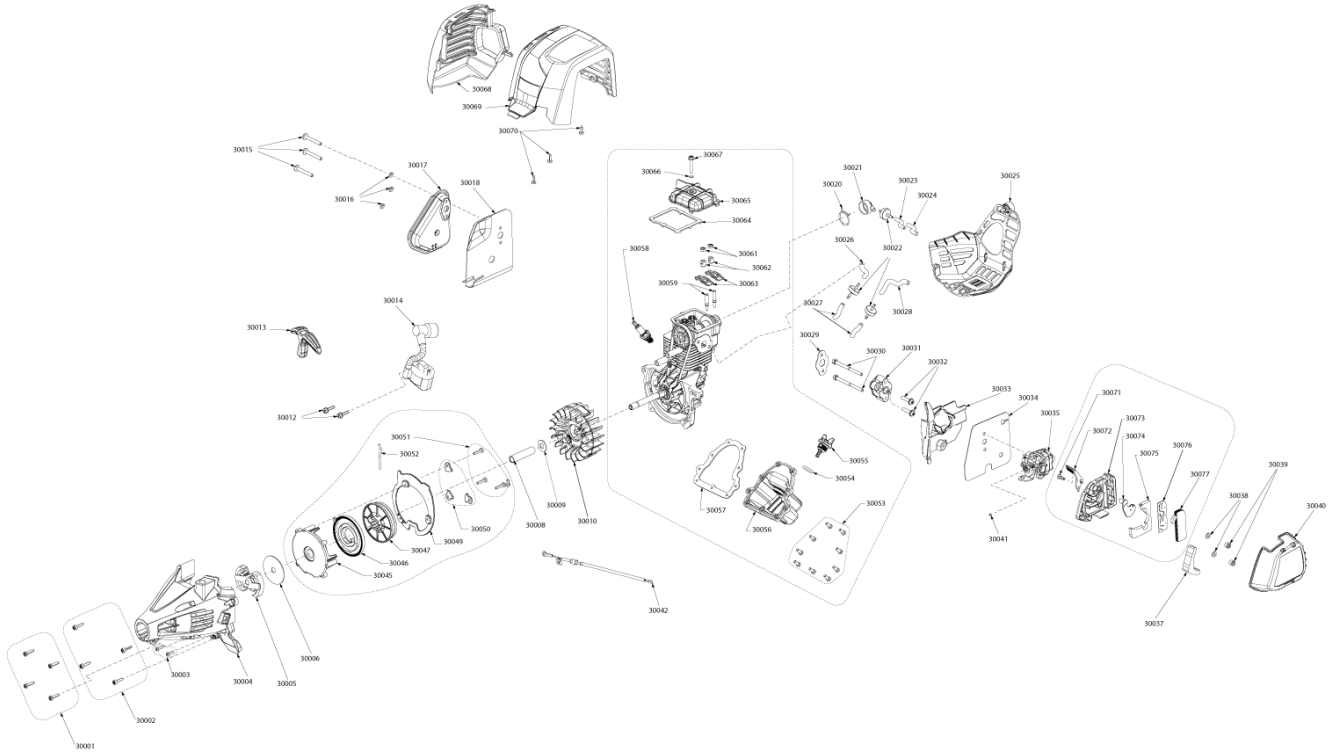




4000444644







Position	Quantity	Description	Part number	EAN
1002 1	1	SCHRAUBE	5131034616	4058546142445
1003 2	1	SCHRAUBE	5131035135	4058546146351
1004 3	1	SCHRAUBENMUTTER	5131011759	4058546690762
1005 4	1	Feder	5131001907	4058546083700
1008 5	1	SCHUTZ	5131019388	4058546108366
1009 6	1	SCHUTZ	5131019387	4002395274840
1010 7	1	SCHLUESSEL	5131035259	4058546147297
1011 8	1	BAND	Item discontinued(5131013173)	
1012 9	1	STANGE	5131017834	4058546106492
1014 10	1	Unterlegscheibe	5131035092	4058546146009
1015 11	1	Messermutter M8-1.25 LH	5131001056	4058546080754
1016 12	1	KAPPE	5131033849	4002395143214
1018 13	1	Tragegurt	5131035095	4058546146030
1020 14	1	GRIFF	Item discontinued(5131036649)	
1021 15	1	ANTRIEBSSCHAFT	Item discontinued(5131033812)	
1022 16	1	KLEMMBUEGEL	5131008553	4058546092955
1023 17	1	Schraube	5131001855	4058546083564
1024 18	3	Schraube	5131001850	4058546083533
1025 19	1	Handgriff Re	5131001697	4058546082871
1026 20	1	SPERRSTUECK	5131034513	4058546141752
1027 21	1	DRUECKER	5131033813	4002395140459
1028 22	1	KNOPF	Item discontinued(5131018496)	
1029 23	1	Feder	5131001888	4058546083663
1030 24	1	Feder Gashebel	5131001887	4058546083656
1031 25	1	Mutter	5131001059	4058546080785
1032 26	1	SCHALTER	Item discontinued(5131033814)	
1033 27	1	BUEGELGRIFF	Item discontinued(5131033815)	
1034 28	1	HANDGRIFF	5131035067	4058546145804
1035 29	1	Schutzhuelle	5131001702	4058546082895
1036 30	1	LEITUNG	Item discontinued(5131033850)	
1037 31	1	KLEMMBUEGEL	Item discontinued(5131019385)	
1038 32	1	STOPFEN	5131018500	4058546107161
1039 33	1	ANTRIEBSSCHAFT	Item discontinued(5131033817)	
1040 34	1	DISTANZRING	5131018499	4058546107154
1041 35	1	Schraube	5131035058	4058546145736
1042 36	1	Schraube	5131035057	4058546145729
1043 37	1	GETRIEBEKOPF	5131034463	4058546141325
1044 38	1	U-Scheibe Flansch	5131035094	4058546146023
1045 39	1	ANTRIEBSWELLE	5131011757	4058546098612
1046 40	1	FADENKOPF	Item discontinued(5131033818)	
1047 41	1	KLINGE	5131020275	4058546109707
1048 42	1	DECKEL	5131035093	4058546146016
2002 43	1	SCHRAUBE	Item discontinued(5131016188)	
2003 44	2	SCHRAUBE TANKBEFESTIGUNG	5131011556	4058546098476
2004 45	1	BEHAELTER	5131033851	4002395143238
3001 46	4	SCHRAUBE	5131047770	4058546504069
3002 47	4	SCHRAUBE	5131011555	4058546098469
3003 48	2	SCHRAUBE	Item discontinued(5131017775)	
3004 49	1	GEHAEUSE	5131015983	4058546103088
3005 50	1	Kupplung	5131000573	4058546077990

Position	Quantity	Description	Part number	EAN
3006 51	1	Distanzscheibe	5131000909	4058546079826
3008 52	1	Distanzhülse	5131001827	4058546083410
3009 53	1	Unterlegscheibe	5131000946	4058546080051
3010 54	1	LUeFTERRAD	Item discontinued(5131015969)	
3012 55	2	SCHRAUBE	5131011554	4058546098452
3013 56	1	GRIFF	5131016028	4058546103163
3014 57	1	ZUENDANLAGE	Item discontinued(5131033852)	
3015 58	3	BOLZEN	Item discontinued(5131018509)	
3016 59	3	FEDERSCHEIBE OD9XID5X1.3THK	Item discontinued(5131021573)	
3017 60	1	SCHALLDAEMPFER	Item discontinued(5131034470)	
3018 61	1	DICHTUNG	5131016282	4058546067847
3020 62	1	KLEMME	5131034485	4058546141523
3021 63	1	MOOSGUMMI	Item discontinued(5131034484)	
3022 64	3	VENTIL	5131015965	4058546102982
3023 65	1	MOOSGUMMI	5131016449	4058546067854
3024 66	1	HUELSE	5131033853	4002395143252
3025 67	1	ABDECKUNG	5131033854	4002395143269
3026 68	1	VERLAENGER.SCHLAUCH	5131016101	4058546103323
3027 69	2	VERLAENGER.SCHLAUCH	5131016102	4058546103330
3028 70	1	HUELSE	5131033855	4002395143276
3029 71	1	DICHTUNG	5131018066	4058546106966
3030 72	2	BOLZEN	5131034493	4058546141608
3031 73	1	DAEMPfungSELEMENT	5131033856	4002395143283
3032 74	2	SCHRAUBE	Item discontinued(5131019120)	
3033 75	1	ABWEISER	5131034490	4058546141578
3034 76	1	DICHTUNG	5131033857	4002395143290
3035 77	1	VERGASER	5131033858	4002395140503
3037 78	1	FILTERHALTER	5131033859	4002395140510
3038 79	2	SCHEIBE	5131034504	4058546141691
3039 80	2	MUTTER	Item discontinued(5131034469)	
3040 81	1	DECKEL	5131016465	4058546171469
3041 82	1	MOOSGUMMI	Item discontinued(5131034503)	
3042 83	1	NYLONFADEN	Item discontinued(5131015967)	
3045 84	1	GEHAEUSE	5131016076	4058546171162
3046 85	1	Feder u. Gehaeuse	5131000906	4058546079802
3047 86	1	RIEMENSCHLEIFE	5131034468	4058546141370
3049 87	1	PLATTE	5131016077	4058546103279
3050 88	3	HALTER	5131001831	4058546083434
3051 89	3	SCHRAUBE	5131047770	4058546504069
3052 90	1	Starter Seil	5131001185	4058546081409
3053 91	9	SCHRAUBE	Item discontinued(5131011543)	
3054 92	1	O-RING	Item discontinued(5131016094)	
3055 93	1	MESSGERAET	5131016053	4058546103187
3056 94	1	GEHAEUSE	5131033861	4002395140534
3057 95	1	DICHTUNG	5131016099	4058546103316
3058 96	1	ZUENDKERZE	5131016267	4058546103682
3059 97	2	DRUCKBOLZEN	5131034480	4058546141479
3061 98	2	MUTTER	5131034477	4058546141448
3062 99	2	BUNDBUCHSE	Item discontinued(5131034478)	
3063 100	2	WIPPE	5131034479	4058546141462

Position	Quantity	Description	Part number	EAN
3064 101	1	DICHTUNG	5131034476	4058546141431
3065 102	1	DECKEL	5131034475	4058546141424
3066 103	1	O-RING	5131033862	4002395140541
3067 104	1	SCHRAUBE	Item discontinued(5131018604)	
3068 105	1	PLATTE	5131016077	4058546103279
3069 106	1	GEHAEUSE	5131034471	4058546141394
3070 107	3	SCHRAUBE	Item discontinued(5131033863)	
3071 108	1	SCHRAUBE	Item discontinued(5131011457)	
3072 109	1	ARM	5131036281	4058546156527
3073 110	1	DECKEL	5131036282	4058546156534
3074 111	1	PLATTE	5131034501	4058546141660
3075 112	1	FILZ	5131034499	4058546141646
3076 113	1	ABWEISER	5131034500	4058546141653
3077 114	1	MOOSGUMMI	5131034502	4058546141677
115	1	RAC115 Doppelfadenkopf ReelEasy	5132002578	4892210816863
116	1	RAC117 TriArc Schlagmesser f. Sensen	5132002668	4892210819734