

# RLM18X36H250F Akku-Rasenmaeher IN2

5133003705 - RLM18X36H250F - 4000444668

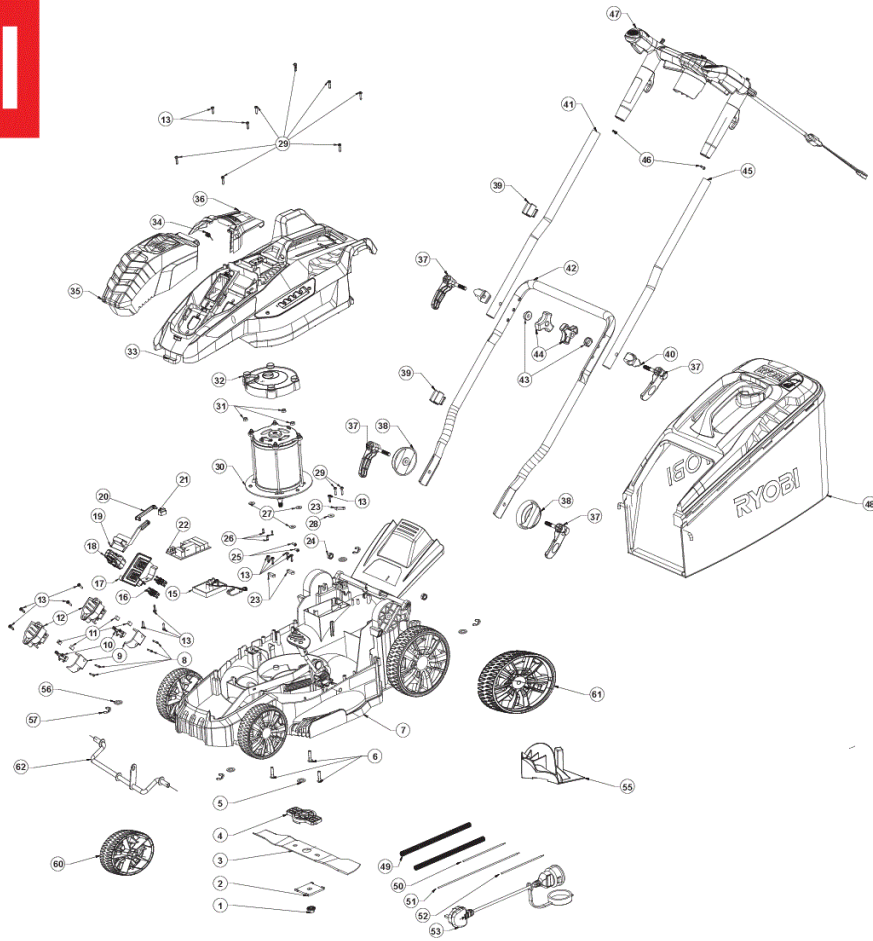




4000444668

4000444691

4000444669



| Position | Quantity | Description          | Part number                   | EAN           |
|----------|----------|----------------------|-------------------------------|---------------|
| 001 1    | 1        | MUTTER               | 5131035663                    | 4058546150686 |
| 002 2    | 1        | HALTER               | 5131036303                    | 4058546156749 |
| 003 3    | 1        | Messer               | 5131033796                    | 4002395140053 |
| 004 4    | 1        | PRAEZISIONSHILFE     | 5131036302                    | 4058546156732 |
| 005 5    | 1        | SCHEIBE              | 5131036304                    | 4058546156756 |
| 006 6    | 3        | SCHRAUBE             | 5131035657                    | 4058546150624 |
| 007 7    | 1        | GEHAEUSE             | Item discontinued(5131033797) |               |
| 008 8    | 4        | SCHRAUBE             | 5131016158                    | 4058546103408 |
| 009 9    | 2        | DECKEL               | 5131035716                    | 4058546151195 |
| 010 10   | 2        | ANSCHLUSSKLEMME      | 5131035714                    | 4058546151171 |
| 011 11   | 4        | GUMMIPUFFER          | 5131036300                    | 4058546156718 |
| 012 12   | 2        | HALTER               | 5131035715                    | 4058546151188 |
| 013 13   | 14       | SCHRAUBE             | 5131044609                    | 4058546383329 |
| 015 14   | 1        | ELEKTRONIK-PLATINE   | 5131036311                    | 4058546156824 |
| 016 15   | 8        | ANSCHLUSSKLEMME      | 5131036294                    | 4058546156657 |
| 017 16   | 1        | KABELSCHUH           | 5131036295                    | 4058546156664 |
| 018 17   | 1        | SCHLUESSEL           | 5131036316                    | 4058546156879 |
| 019 18   | 1        | SCHIEBER             | Item discontinued(5131036296) |               |
| 020 19   | 1        | PLEUEL               | Item discontinued(5131036292) |               |
| 021 20   | 1        | PLATTE               | Item discontinued(5131036293) |               |
| 022 21   | 1        | ELEKTRONIK-PLATINE   | Item discontinued(5131036310) |               |
| 023 22   | 3        | FEDERKLEMME          | 5131035646                    | 4058546150525 |
| 024 23   | 2        | SECHSKANTMUTTER      | 5131036307                    | 4058546156787 |
| 025 24   | 2        | SCHRAUBE             | Item discontinued(5131011528) |               |
| 026 25   | 3        | SCHRAUBE             | 5131036299                    | 4058546156701 |
| 027 26   | 3        | SCHEIBE              | 5131035656                    | 4058546150617 |
| 028 27   | 1        | SCHEIBE              | 5131011791                    | 4058546098773 |
| 029 28   | 11       | SCHRAUBE             | 5131035603                    | 4058546150105 |
| 030 29   | 1        | MOTOR                | 5131036305                    | 4058546156763 |
| 031 30   | 3        | MUTTER               | 5131035639                    | 4058546150457 |
| 032 31   | 1        | ABDECKPLATTE         | Item discontinued(5131036309) |               |
| 033 32   | 1        | GEHAEUSEKAPPE        | Item discontinued(5131036290) |               |
| 034 33   | 1        | FEDER                | 5131036297                    | 4058546156688 |
| 035 34   | 1        | BATTERIEGEHAEUSE     | Item discontinued(5131036291) |               |
| 036 35   | 1        | VERSCHLUSSKAPPE      | Item discontinued(5131036298) |               |
| 037 36   | 4        | HANDGRIFF            | Item discontinued(5131035750) |               |
| 038 37   | 2        | DISTANZSTUECK        | 5131035649                    | 4058546150549 |
| 039 38   | 2        | FEDERKLEMME          | 5131035765                    | 4058546151652 |
| 040 39   | 2        | DISTANZSTUECK        | 5131035612                    | 4058546150198 |
| 041 40   | 1        | ROHR                 | Item discontinued(5131036288) |               |
| 042 41   | 1        | ROHR                 | Item discontinued(5131036286) |               |
| 043 42   | 2        | SCHEIBE              | 5131035614                    | 4058546150211 |
| 044 43   | 2        | MUTTER               | Item discontinued(5131035615) |               |
| 045 44   | 1        | ROHR                 | Item discontinued(5131036287) |               |
| 046 45   | 2        | SCHRAUBE             | Item discontinued(5131036289) |               |
| 047 46   | 1        | HANDGRIFF KOMPL.     | Item discontinued(5131036285) |               |
| 048 47   | 1        | Grasauffangbehaelter | Item discontinued(5131036308) |               |
| 049 48   | 2        | Schutzhuelle         | 5131001702                    | 4058546082895 |
| 050 49   | 1        | LEITUNG              | Item discontinued(5131036312) |               |
| 051 50   | 1        | LEITUNG              | 5131036313                    | 4058546156848 |

| Position | Quantity | Description                       | Part number                   | EAN           |
|----------|----------|-----------------------------------|-------------------------------|---------------|
| 052 51   | 1        | LEITUNG                           | Item discontinued(5131036314) |               |
| 053 52   | 1        | Für diese Version nicht verfügbar | 1000000003                    |               |
| 055 53   | 1        | STOPFEN                           | 5131040902                    | 4058546061661 |
| 056 54   | 4        | SCHEIBE                           | 5131041252                    | 4058546065164 |
| 057 55   | 4        | SICHERUNGSSCHEIBE                 | 5131041253                    | 4058546065171 |
| 060 56   | 1        | RASENMAeHERRAD                    | 5131036956                    | 4002395171217 |
| 061 57   | 1        | RASENMAeHERRAD                    | 5131036967                    | 4002395168521 |
| 062 58   | 1        | ACHSE                             | 5131036957                    | 4002395171224 |