

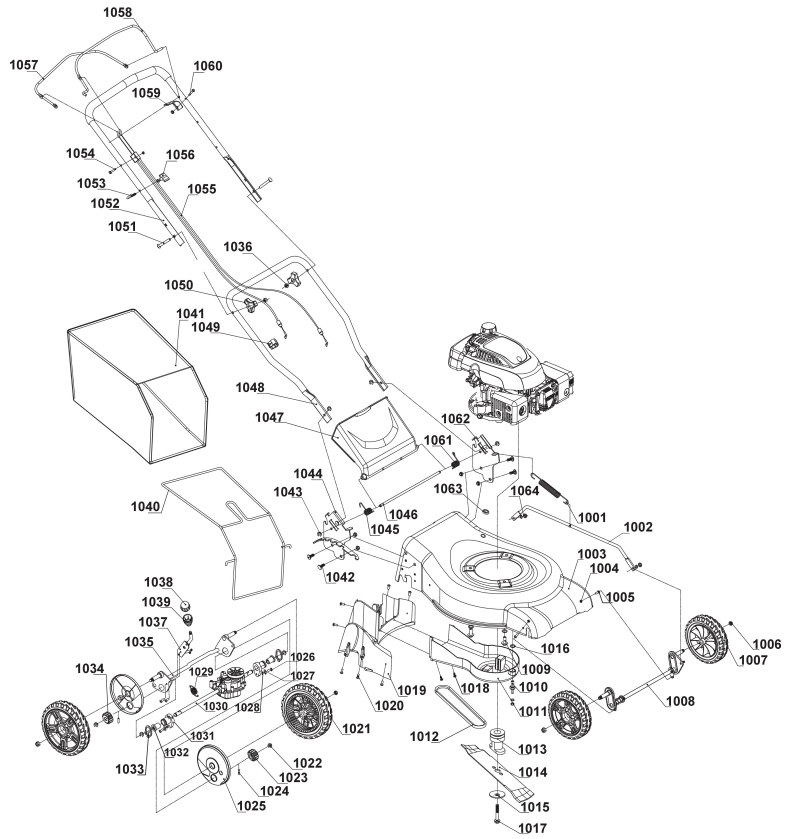
# RLM46175SL BENZIN-RASENMAEHER XXX

5133002882 - RLM46175SL - 4000444988



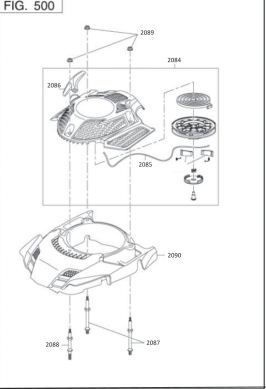
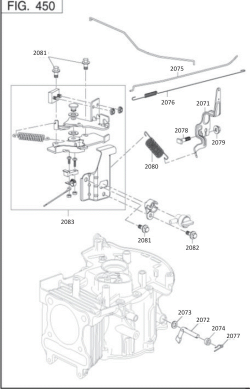
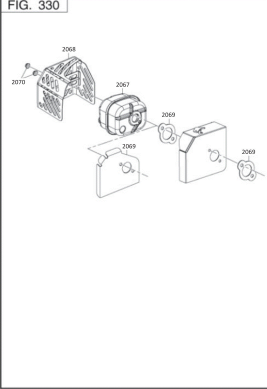
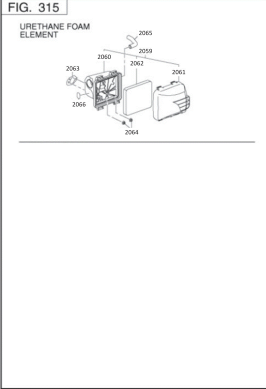
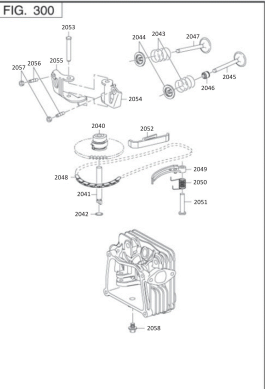
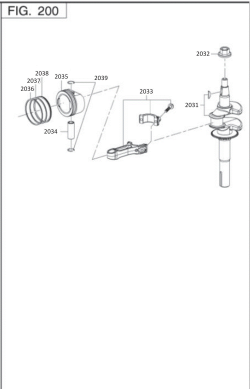
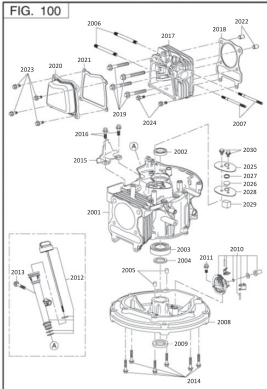


4000444988



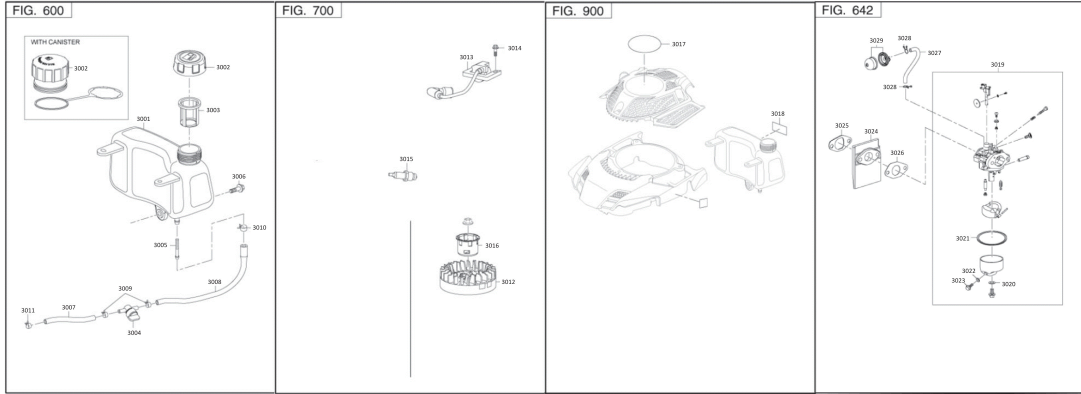


4000462988





4000462988



Position	Quantity	Description	Part number	EAN
1001 1	1	FEDER	5131035801	4058546152000
1002 2	1	PLEUEL	Item discontinued(5131035802)	
1003 3	1	GEHAEUSE	5131033742	4002395146086
1004 4	5	MUTTER	Item discontinued(5131035804)	
1005 5	4	BOLZEN	Item discontinued(5131035805)	
1006 6	8	MUTTER	Item discontinued(5131035806)	
1007 7	2	RAD	Item discontinued(5131035807)	
1008 8	1	ACHSE	5131035808	4058546197506
1009 9	2	BOLZEN	Item discontinued(5131035809)	
1010 10	1	BOLZEN	5131035810	4058546152079
1011 11	1	DECKEL	Item discontinued(5131035811)	
1012 12	1	RIEMEN	Item discontinued(5131035812)	
1013 13	1	HALTER	5131035813	4058546197513
1014 14	1	KLINGE	Item discontinued(5131033749)	
1015 15	1	SCHEIBE	5131035815	4058546152116
1016 16	1	SCHEIBE	Item discontinued(5131035816)	
1017 17	1	BOLZEN	Item discontinued(5131035817)	
1018 18	3	SCHRAUBE	5131035818	4058546152147
1019 19	1	GEHAEUSE	Item discontinued(5131035819)	
1020 20	6	SCHRAUBE	Item discontinued(5131035820)	
1021 21	2	RAD	Item discontinued(5131035821)	
1022 22	4	FEDERKLEMME	5131035822	4058546152185
1023 23	1	ZAHNRAD	5131035823	4058546152192
1024 24	2	STIFT	5131035824	4058546152208
1025 25	2	DECKEL	5131035825	4058546152215
1026 26	2	BOLZEN	Item discontinued(5131035826)	
1027 27	2	SCHEIBE	Item discontinued(5131035827)	
1028 28	5	SCHEIBE	Item discontinued(5131035828)	
1029 29	1	FEDER	5131035829	4058546152253
1030 30	1	GETRIEBESATZ	Item discontinued(5131035830)	
1031 31	2	TRAEGER	Item discontinued(5131035831)	
1032 32	2	DICHTBUECHSE	5131035832	4058546152284
1033 33	2	FEDERKLEMME	Item discontinued(5131035833)	
1034 34	1	ZAHNRAD	5131035834	4058546152307
1035 35	1	ACHSE	5131035835	4058546197520
1036 36	2	MUTTER	5131035836	4058546152314
1037 37	1	ARM	Item discontinued(5131035837)	
1038 38	1	KAPPE	Item discontinued(5131035838)	
1039 39	1	KNOPF	Item discontinued(5131035839)	
1040 40	1	GESTELL	Item discontinued(5131035840)	
1041 41	1	GRASFANGSACK	Item discontinued(5131033743)	
1042 42	4	SCHRAUBE	Item discontinued(5131035842)	
1043 43	4	FEDERKLEMME	Item discontinued(5131035843)	
1044 44	1	TRAEGER	Item discontinued(5131035844)	
1045 45	1	FEDER	Item discontinued(5131035845)	
1046 46	1	ACHSE	Item discontinued(5131035846)	
1047 47	1	TUER	Item discontinued(5131035847)	
1048 48	1	LENKSTANGE	Item discontinued(5131033744)	
1049 49	2	KLEMME	5131035849	4058546152420
1050 50	2	KNOPF	5131035850	4058546152437

Position	Quantity	Description	Part number	EAN
1051 51	2	BOLZEN	5131035851	4058546152444
1052 52	1	LENKSTANGE	5131033745	4002395146710
1053 53	1	BEFESTIGUNGSTEILE	Item discontinued(5131035853)	
1054 54	1	BOLZEN	Item discontinued(5131035854)	
1055 55	1	BOWDENZUG	Item discontinued(5131040873)	
1056 56	1	MUTTER	5131035856	4058546152482
1057 57	1	HANDGRIFF	5131033746	4002395146727
1058 58	1	HEBEL	5131033747	4002395146734
1059 59	1	PLATTE	Item discontinued(5131035859)	
1060 60	1	BOLZEN	Item discontinued(5131035860)	
1061 61	1	FEDER	Item discontinued(5131035861)	
1062 62	1	TRAEGER	Item discontinued(5131035862)	
1063 63	1	GUMMIBUCHSE	Item discontinued(5131035863)	
1064 64	4	MUTTER	Item discontinued(5131035864)	
2001 65	1	PART NOT DETAILED	1000063920	
2002 66	1	PART NOT DETAILED	1000063920	
2003 67	1	PART NOT DETAILED	1000063920	
2004 68	1	PART NOT DETAILED	1000063920	
2005 69	1	PART NOT DETAILED	1000063920	
2006 70	1	PART NOT DETAILED	1000063920	
2007 71	1	PART NOT DETAILED	1000063920	
2008 72	1	PART NOT DETAILED	1000063920	
2009 73	1	PART NOT DETAILED	1000063920	
2010 74	1	PART NOT DETAILED	1000063920	
2011 75	1	PART NOT DETAILED	1000063920	
2012 76	1	Oelmessstab	5131035340	4058546147884
2014 77	1	PART NOT DETAILED	1000063920	
2015 78	1	PART NOT DETAILED	1000063920	
2016 79	1	PART NOT DETAILED	1000063920	
2017 80	1	PART NOT DETAILED	1000063920	
2018 81	1	PART NOT DETAILED	1000063920	
2019 82	1	PART NOT DETAILED	1000063920	
2020 83	1	PART NOT DETAILED	1000063920	
2021 84	1	DICHTUNG	Item discontinued(5131035336)	
2022 85	1	PART NOT DETAILED	1000063920	
2023 86	1	PART NOT DETAILED	1000063920	
2024 87	1	PART NOT DETAILED	1000063920	
2025 88	1	PART NOT DETAILED	1000063920	
2026 89	1	PART NOT DETAILED	1000063920	
2027 90	1	PART NOT DETAILED	1000063920	
2028 91	1	PART NOT DETAILED	1000063920	
2029 92	1	PART NOT DETAILED	1000063920	
2030 93	1	PART NOT DETAILED	1000063920	
2031 94	1	PART NOT DETAILED	1000063920	
2032 95	1	PART NOT DETAILED	1000063920	
2033 96	1	PART NOT DETAILED	1000063920	
2034 97	1	PART NOT DETAILED	1000063920	
2035 98	1	PART NOT DETAILED	1000063920	
2036 99	1	PART NOT DETAILED	1000063920	
2037 100	1	PART NOT DETAILED	1000063920	

Position	Quantity	Description	Part number	EAN
2038 101	1	PART NOT DETAILED	1000063920	
2039 102	1	PART NOT DETAILED	1000063920	
2040 103	1	PART NOT DETAILED	1000063920	
2041 104	1	PART NOT DETAILED	1000063920	
2042 105	1	PART NOT DETAILED	1000063920	
2043 106	1	PART NOT DETAILED	1000063920	
2044 107	1	PART NOT DETAILED	1000063920	
2045 108	1	PART NOT DETAILED	1000063920	
2046 109	1	PART NOT DETAILED	1000063920	
2047 110	1	PART NOT DETAILED	1000063920	
2048 111	1	PART NOT DETAILED	1000063920	
2049 112	1	PART NOT DETAILED	1000063920	
2050 113	1	PART NOT DETAILED	1000063920	
2051 114	1	PART NOT DETAILED	1000063920	
2052 115	1	PART NOT DETAILED	1000063920	
2053 116	1	PART NOT DETAILED	1000063920	
2054 117	1	PART NOT DETAILED	1000063920	
2055 118	1	PART NOT DETAILED	1000063920	
2056 119	1	PART NOT DETAILED	1000063920	
2057 120	1	PART NOT DETAILED	1000063920	
2058 121	1	PART NOT DETAILED	1000063920	
2059 122	1	PART NOT DETAILED	1000063920	
2060 123	1	GEHAeUSE LUFTFILTER	Item discontinued(5131040909)	
2061 124	1	LUFTFILTER ABDECKUNG	Item discontinued(5131040910)	
2062 125	1	LUFTFILTEREINSATZ	5131040911	4058546061753
2063 126	1	DICHTUNG	5131040912	4058546061760
2064 127	1	PART NOT DETAILED	1000063920	
2065 128	1	PART NOT DETAILED	1000063920	
2066 129	1	PART NOT DETAILED	1000063920	
2067 130	1	PART NOT DETAILED	1000063920	
2068 131	1	PART NOT DETAILED	1000063920	
2069 132	1	PART NOT DETAILED	1000063920	
2070 133	1	PART NOT DETAILED	1000063920	
2071 134	1	PART NOT DETAILED	1000063920	
2072 135	1	PART NOT DETAILED	1000063920	
2073 136	1	PART NOT DETAILED	1000063920	
2074 137	1	PART NOT DETAILED	1000063920	
2075 138	1	PART NOT DETAILED	1000063920	
2076 139	1	PART NOT DETAILED	1000063920	
2077 140	1	PART NOT DETAILED	1000063920	
2078 141	1	PART NOT DETAILED	1000063920	
2079 142	1	PART NOT DETAILED	1000063920	
2080 143	1	PART NOT DETAILED	1000063920	
2081 144	1	PART NOT DETAILED	1000063920	
2082 145	1	PART NOT DETAILED	1000063920	
2083 146	1	PART NOT DETAILED	1000063920	
2084 147	1	ZUGSTARTER	Item discontinued(5131040913)	
2085 148	1	SEIL	Item discontinued(5131035394)	
2086 149	1	PART NOT DETAILED	1000063920	
2087 150	1	PART NOT DETAILED	1000063920	

Position	Quantity	Description	Part number	EAN
2088 151	1	PART NOT DETAILED	1000063920	
2089 152	1	PART NOT DETAILED	1000063920	
2090 153	1	PART NOT DETAILED	1000063920	
3001 154	1	BEHAELTER	Item discontinued(5131040914)	
3002 155	1	PART NOT DETAILED	1000063920	
3002 156	1	TANKDECKEL	5131040915	4058546061791
3003 157	1	FILTER	Item discontinued(5131040916)	
3004 158	1	ABSPERRVENTIL	5131040917	4058546061814
3005 159	1	FILTER	Item discontinued(5131035397)	
3006 160	1	PART NOT DETAILED	1000063920	
3007 161	1	SCHLAUCH	Item discontinued(5131035406)	
3008 162	1	ROHR	Item discontinued(5131027909)	
3009 163	1	PART NOT DETAILED	1000063920	
3010 164	1	PART NOT DETAILED	1000063920	
3011 165	1	PART NOT DETAILED	1000063920	
3012 166	1	PART NOT DETAILED	1000063920	
3013 167	1	ZUENDANLAGE	Item discontinued(5131027921)	
3014 168	1	PART NOT DETAILED	1000063920	
3015 169	1	ZUENDKERZE	Item discontinued(5131027923)	
3016 170	1	PART NOT DETAILED	1000063920	
3017 171	1	PART NOT DETAILED	1000063920	
3018 172	1	PART NOT DETAILED	1000063920	
3019 173	1	VERGASER	5131016457	4058546103972
3020 174	1	PART NOT DETAILED	1000063920	
3021 175	1	PART NOT DETAILED	1000063920	
3022 176	1	PART NOT DETAILED	1000063920	
3023 177	1	PART NOT DETAILED	1000063920	
3024 178	1	ISOLATOR	Item discontinued(5131035409)	
3025 179	1	DICHTUNG	Item discontinued(5131027915)	
3026 180	1	DICHTUNG	Item discontinued(5131027916)	
3027 181	1	ROHR	5131027917	4058546114930
3028 182	1	PART NOT DETAILED	1000063920	
3029 183	1	DRUECKER	5131040918	4058546061821