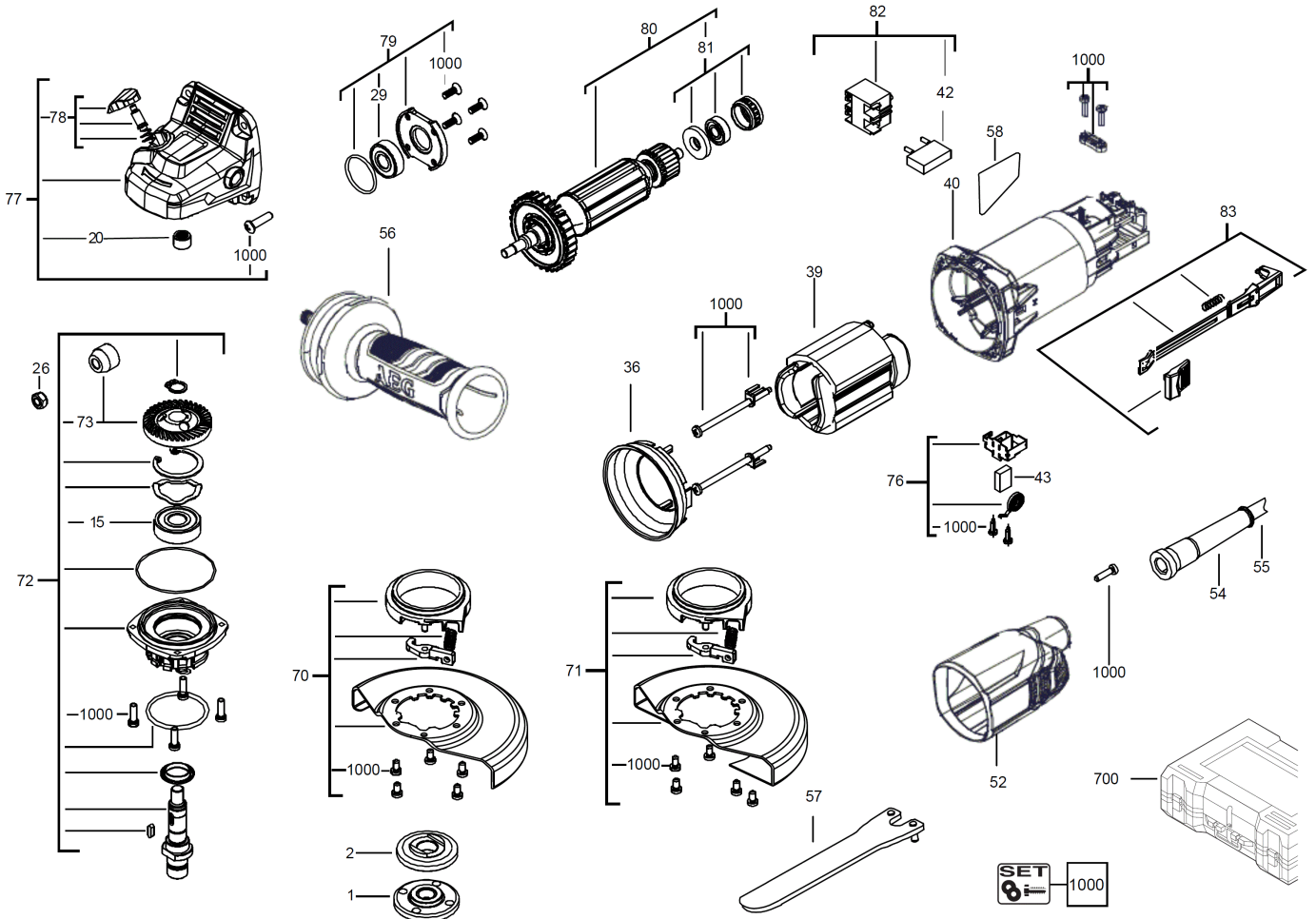


# **WS12-125 Winkelschleifer ME2**

**4935451305 - WS12-125 - 4000456134**



| Position | Quantity | Description          | Part number                   | EAN           |
|----------|----------|----------------------|-------------------------------|---------------|
| 0001 1   | 1        | FLANSCH              | 4931428704                    | 4002395844210 |
| 0002 2   | 1        | FLANSCH              | 4931453620                    | 4002395145942 |
| 0015 3   | 1        | KUGELLAGER           | 4931453697                    | 4002395146130 |
| 0020 4   | 1        | NADELLAGER           | 4931453616                    | 4002395145904 |
| 0026 5   | 1        | MUTTER               | 4931428715                    | 4002395844364 |
| 0029 6   | 1        | KUGELLAGER           | 4931453633                    | 4002395146673 |
| 0036 7   | 1        | LUFTFUEHRUNGSRING    | 4931428721                    | 4002395844425 |
| 0039 8   | 1        | FELD F. ELEKTROMOTOR | 4931428723                    | 4002395844449 |
| 0040 9   | 1        | MOTORGEHAEUSE        | 4931453698                    | 4002395146147 |
| 0042 10  | 1        | KONDENSATOR          | 4931428728                    | 4002395844494 |
| 0043 11  | 2        | KOHLEBUERSTE         | 4931428732                    | 4002395844531 |
| 0052 12  | 1        | ABDECKKAPPE          | 4931453699                    | 4002395146154 |
| 0054 13  | 1        | KABELSCHUTZSCHLAUCH  | 4931428735                    | 4002395844562 |
| 0055 14  | 1        | ANSCHLUSSLEITUNG     | 4931428736                    | 4002395844579 |
| 0056 15  | 1        | HANDGRIFF            | 4931428739                    | 4002395844609 |
| 0057 16  | 1        | MUTTERNDREHER        | 4931393248                    | 4002395751051 |
| 0058 17  | 1        | LEISTUNGSSCHILD      | 4931453715                    | 4002395144112 |
| 0070 18  | 1        | SCHUTZ               | 4931428708                    | 4002395844272 |
| 0071 19  | 1        | SCHUTZHAUBE          | 4931428711                    | 4002395844326 |
| 0072 20  | 1        | SPINDEL SATZ         | 4931428712                    | 4002395844333 |
| 0073 21  | 1        | RITZEL               | 4931441558                    | 4002395865710 |
| 0076 22  | 2        | BUERSTENHALTER       | 4931428733                    | 4002395844548 |
| 0077 23  | 1        | GETRIEBEKASTEN       | 4931428713                    | 4002395844340 |
| 0078 24  | 1        | VERSCHLUSSKAPPE      | 4931428714                    | 4002395844357 |
| 0079 25  | 1        | LAGERSATZ            | 4931428716                    | 4002395844371 |
| 0080 26  | 1        | ANKER F.ELEKTROMOTOR | 4931428719                    | 4002395844401 |
| 0081 27  | 1        | LAGERSATZ            | 4931428720                    | 4002395844418 |
| 0082 28  | 1        | ELEKTRONIKSCHALTER   | 4931453718                    | 4002395144143 |
| 0083 29  | 1        | SCHALTHEBEL          | 4931453708                    | 4002395146840 |
| 0700 30  | 1        | TRANSPORTKASTEN      | 4931453709                    | 4002395146857 |
| 1000 31  | 1        | SCHRAUBENSET         | Item discontinued(4931428742) |               |