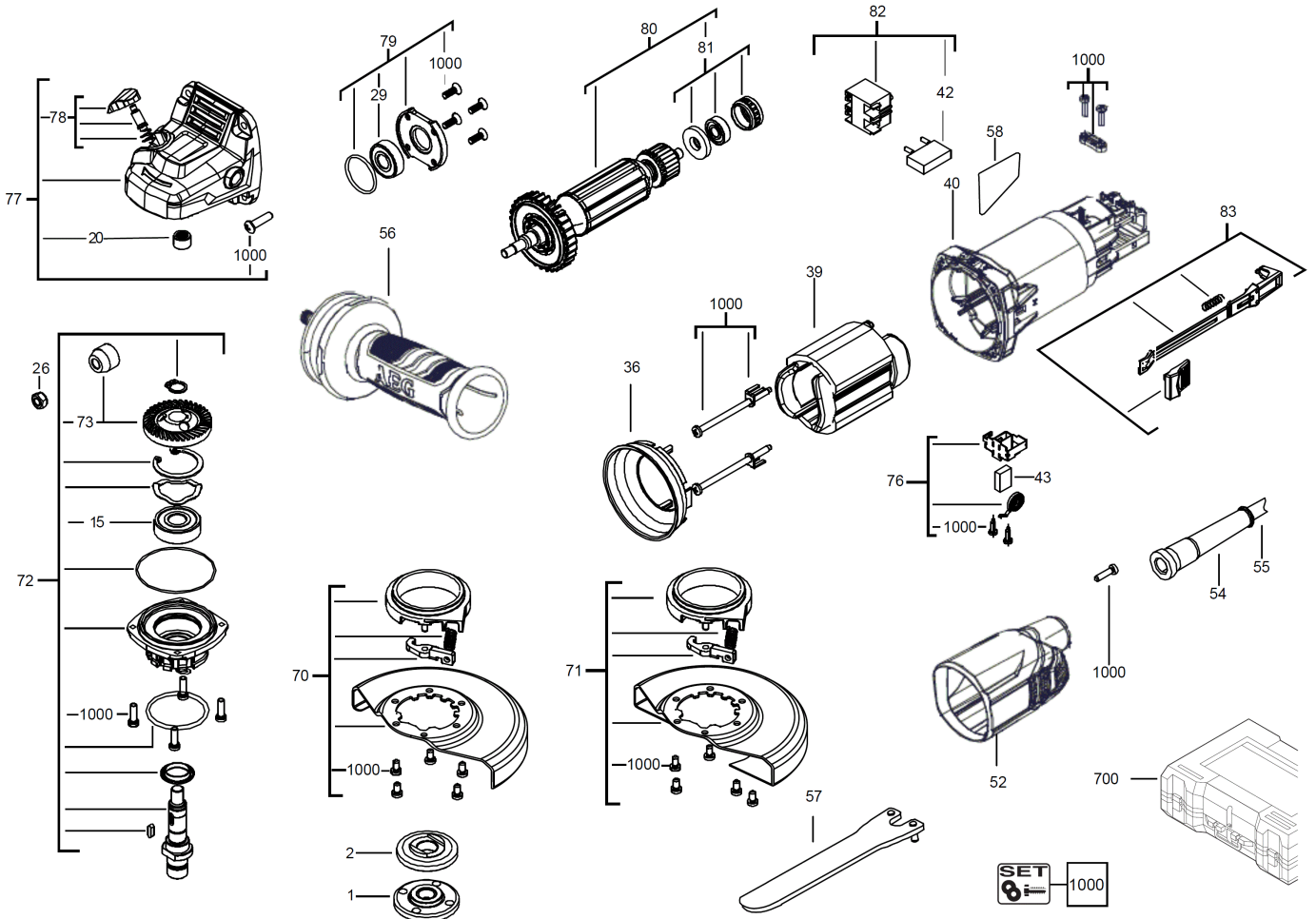


WS10-125 Winkelschleifer ME2

4935451411 - WS10-125 - 4000456340



| Position | Quantity | Description | Part number | EAN |
|----------|----------|----------------------|-------------------------------|---------------|
| 0001 1 | 1 | FLANSCH | 4931428704 | 4002395844210 |
| 0002 2 | 1 | FLANSCH | 4931453620 | 4002395145942 |
| 0015 3 | 1 | KUGELLAGER | 4931453697 | 4002395146130 |
| 0020 4 | 1 | NADELLAGER | 4931453616 | 4002395145904 |
| 0026 5 | 1 | MUTTER | 4931428715 | 4002395844364 |
| 0029 6 | 1 | KUGELLAGER | 4931453633 | 4002395146673 |
| 0036 7 | 1 | LUFTFUEHRUNGSRING | 4931428721 | 4002395844425 |
| 0039 8 | 1 | FELD F. ELEKTROMOTOR | 4931428723 | 4002395844449 |
| 0040 9 | 1 | MOTORGEHAEUSE | 4931453698 | 4002395146147 |
| 0042 10 | 1 | KONDENSATOR | 4931428728 | 4002395844494 |
| 0043 11 | 2 | KOHLEBUERSTE | 4931428732 | 4002395844531 |
| 0052 12 | 1 | ABDECKKAPPE | 4931453699 | 4002395146154 |
| 0054 13 | 1 | KABELSCHUTZSCHLAUCH | 4931428735 | 4002395844562 |
| 0055 14 | 1 | ANSCHLUSSLEITUNG | 4931428736 | 4002395844579 |
| 0056 15 | 1 | HANDGRIFF | 4931428739 | 4002395844609 |
| 0057 16 | 1 | MUTTERNDREHER | 4931393248 | 4002395751051 |
| 0058 17 | 1 | LEISTUNGSSCHILD | 4931453705 | 4002395146819 |
| 0070 18 | 1 | SCHUTZ | 4931428708 | 4002395844272 |
| 0071 19 | 1 | SCHUTZHAUBE | 4931428711 | 4002395844326 |
| 0072 20 | 1 | SPINDEL SATZ | 4931428712 | 4002395844333 |
| 0073 21 | 1 | RITZEL | 4931441558 | 4002395865710 |
| 0076 22 | 2 | BUERSTENHALTER | 4931428733 | 4002395844548 |
| 0077 23 | 1 | GETRIEBEKASTEN | 4931428713 | 4002395844340 |
| 0078 24 | 1 | VERSCHLUSSKAPPE | 4931428714 | 4002395844357 |
| 0079 25 | 1 | LAGERSATZ | 4931428716 | 4002395844371 |
| 0080 26 | 1 | ANKER F.ELEKTROMOTOR | 4931453706 | 4002395146826 |
| 0081 27 | 1 | LAGERSATZ | 4931428720 | 4002395844418 |
| 0082 28 | 1 | ELEKTRONIKSCHALTER | Item discontinued(4931453707) | |
| 0083 29 | 1 | SCHALTHEBEL | 4931453708 | 4002395146840 |
| 0700 30 | 1 | TRANSPORTKASTEN | 4931453709 | 4002395146857 |
| 1000 31 | 1 | SCHRAUBENSET | 4931428741 | 4002395844623 |