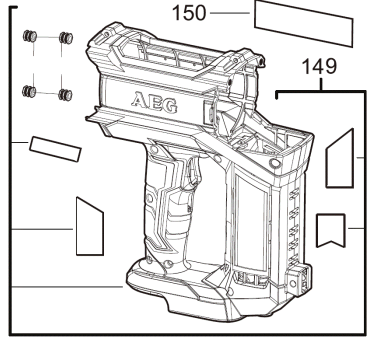
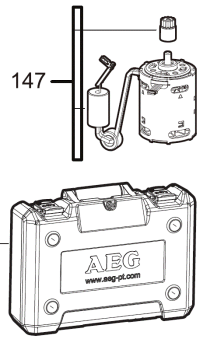
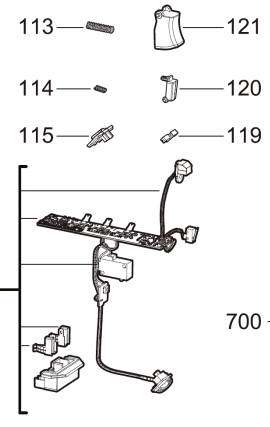
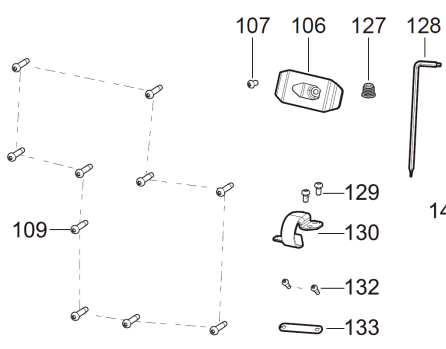
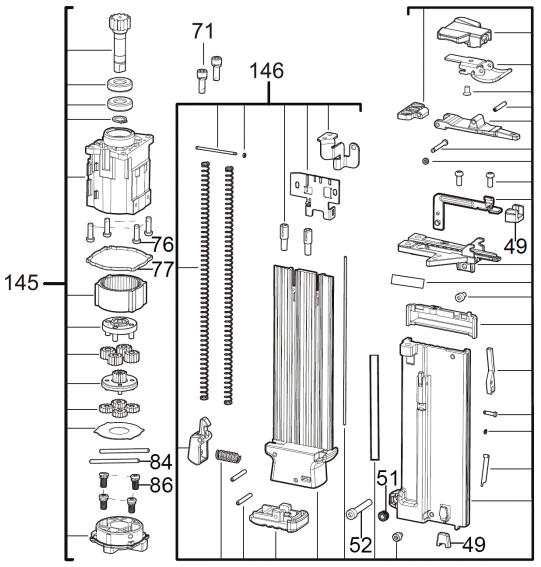
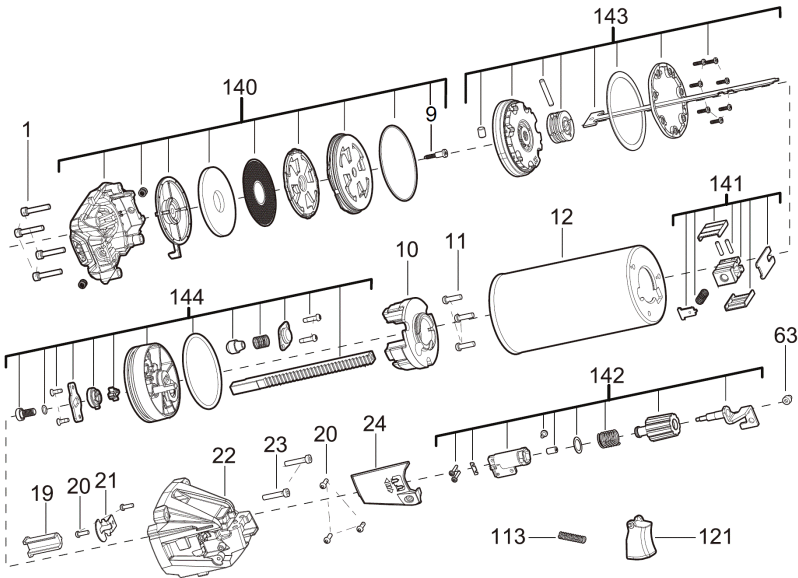


# B18N18-0 Akku-Nagler XXX

4935451535 - B18N18-0 - 4000456716





| Position | Quantity | Description     | Part number                   | EAN           |
|----------|----------|-----------------|-------------------------------|---------------|
| 0001 1   | 4        | SCHRAUBE        | 4931454360                    | 4002395285501 |
| 0009 2   | 1        | SCHRAUBE        | Item discontinued(4931454361) |               |
| 0010 3   | 1        | STOSSFAENGER    | 4931454362                    | 4002395285525 |
| 0011 4   | 3        | SCHRAUBE        | 4931454363                    | 4002395285532 |
| 0012 5   | 1        | ZYLINDER        | 4931454364                    | 4002395285549 |
| 0019 6   | 1        | FUEHRUNG        | Item discontinued(4931454365) |               |
| 0020 7   | 5        | SCHRAUBE        | 4931454366                    | 4002395285563 |
| 0021 8   | 1        | PLATTE          | Item discontinued(4931454367) |               |
| 0022 9   | 1        | ABDECKUNG       | 4931454368                    | 4002395285587 |
| 0023 10  | 2        | SCHRAUBE        | 4931454369                    | 4002395285594 |
| 0024 11  | 1        | ABDECKUNG       | Item discontinued(4931454370) |               |
| 0049 12  | 1        | KISSEN          | 4931458186                    | 4002395294664 |
| 0051 13  | 1        | SECHSKANTMUTTER | 4931454371                    | 4002395286218 |
| 0052 14  | 1        | SCHRAUBE        | Item discontinued(4931454372) |               |
| 0063 15  | 1        | SCHRAUBE        | Item discontinued(4931454373) |               |
| 0071 16  | 2        | SCHRAUBE        | Item discontinued(4931454374) |               |
| 0076 17  | 4        | SCHRAUBE        | Item discontinued(4931454375) |               |
| 0077 18  | 1        | DICHTUNG        | Item discontinued(4931454376) |               |
| 0084 19  | 2        | STIFT           | Item discontinued(4931454377) |               |
| 0086 20  | 4        | SCHRAUBE        | Item discontinued(4931454378) |               |
| 0106 21  | 1        | HAKEN           | Item discontinued(4931454379) |               |
| 0107 22  | 1        | SCHRAUBE        | 4931454115                    | 4002395290482 |
| 0109 23  | 10       | SCHRAUBE        | 660031029                     | 4002395855773 |
| 0113 24  | 1        | FEDER           | Item discontinued(4931454382) |               |
| 0114 25  | 1        | FEDER           | 4931454383                    | 4058546008116 |
| 0115 26  | 1        | DRUECKER        | Item discontinued(4931454384) |               |
| 0119 27  | 1        | FEDERBLECH      | 4931454385                    | 4058546008130 |
| 0120 28  | 1        | DRUECKER        | 4931454386                    | 4058546008147 |
| 0121 29  | 1        | DRUECKER        | Item discontinued(4931454387) |               |
| 0127 30  | 1        | SCHRAUBE        | 4931454388                    | 4058546008161 |
| 0128 31  | 1        | SCHLUESSEL      | Item discontinued(4931454389) |               |
| 0129 32  | 1        | SCHRAUBE        | 4931454390                    | 4058546008185 |
| 0130 33  | 1        | ABDECKUNG       | Item discontinued(4931454391) |               |
| 0132 34  | 1        | SCHRAUBE        | 4931454269                    | 4002395285396 |
| 0133 35  | 1        | SPANNBLECH      | Item discontinued(4931454393) |               |
| 0140 36  | 1        | FILTER          | 4931454394                    | 4058546008222 |
| 0141 37  | 1        | RIEGEL          | Item discontinued(4931454395) |               |
| 0142 38  | 1        | TIEFENANSCHLAG  | 4931454396                    | 4058546008246 |
| 0143 39  | 1        | KOLBEN          | Item discontinued(4931454397) |               |
| 0144 40  | 1        | KOLBEN          | 4931454398                    | 4058546008260 |
| 0145 41  | 1        | GETRIEBEKASTEN  | Item discontinued(4931454399) |               |
| 0146 42  | 1        | MAGAZIN         | Item discontinued(4931454400) |               |
| 0147 43  | 1        | MOTOREINHEIT    | 4931454401                    | 4058546008291 |
| 0148 44  | 1        | SCHALTER        | 4931454402                    | 4058546008307 |
| 0149 45  | 1        | GEHAEUSE        | 4931454403                    | 4058546008314 |
| 0150 46  | 1        | LEISTUNGSSCHILD | Item discontinued(4931454404) |               |
| 0700 47  | 1        | TRANSPORTKOFFER | Item discontinued(4931454405) |               |