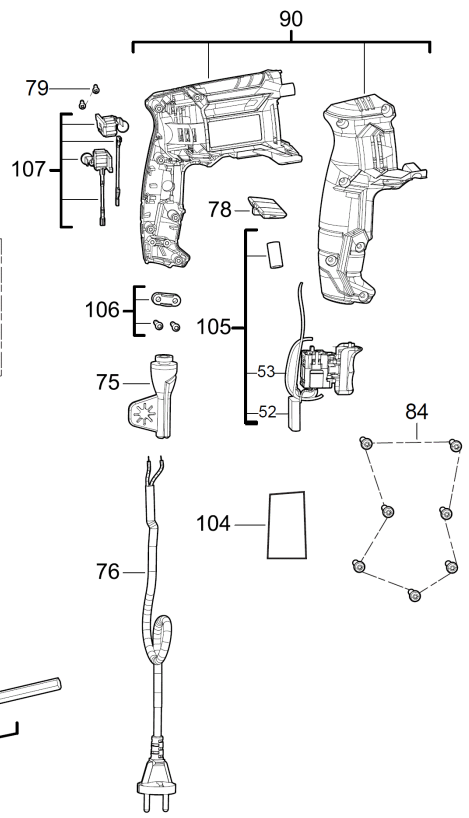
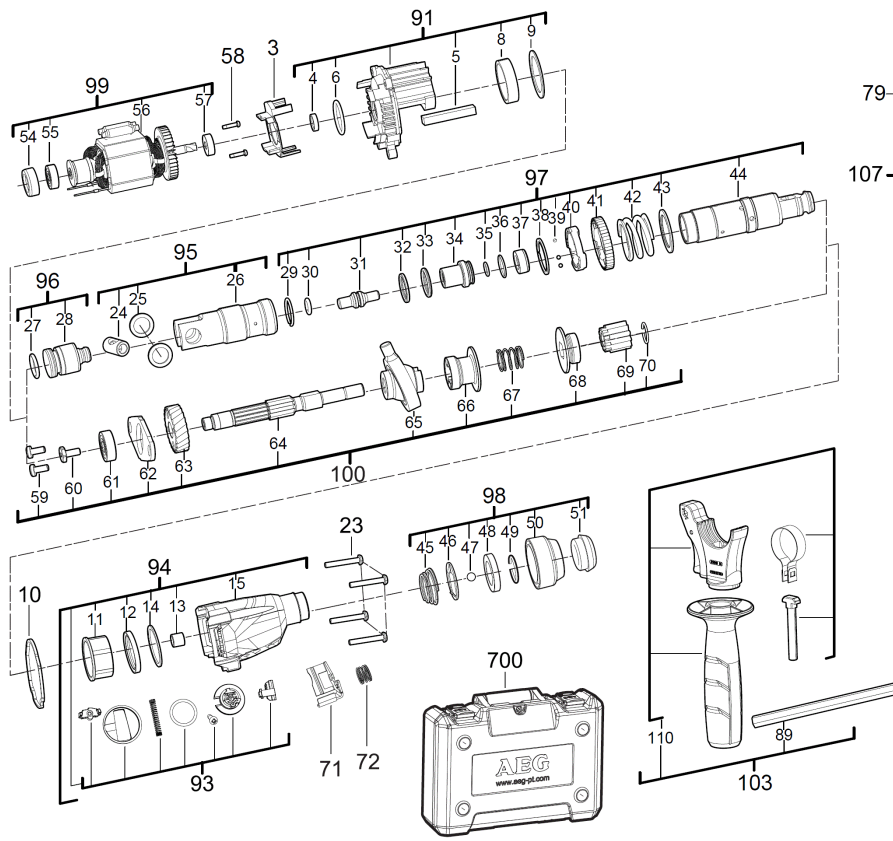


# KH24IE SDS+ Kombihammer ME2

4935451556 - KH24IE - 4000456753





| Position | Quantity | Description        | Part number                   | EAN           |
|----------|----------|--------------------|-------------------------------|---------------|
| 0003 1   | 1        | DECKEL             | 4931454439                    | 4058546008673 |
| 0004 2   | 1        | DICHTUNG           | 4931454440                    | 4058546008680 |
| 0005 3   | 1        | FILZ               | 4931454441                    | 4058546008697 |
| 0006 4   | 1        | O-RING             | 4931454442                    | 4058546008703 |
| 0008 5   | 1        | BUCHSE             | 4931454443                    | 4058546008710 |
| 0009 6   | 1        | SCHEIBE            | Item discontinued(633516001)  |               |
| 0010 7   | 1        | DICHTUNG           | 4931454444                    | 4058546008727 |
| 0011 8   | 1        | BUNDBUCHSE         | 4931454445                    | 4058546008734 |
| 0012 9   | 1        | NADELLAGER         | 4931454446                    | 4058546008741 |
| 0013 10  | 1        | NADELLAGER         | 4931454447                    | 4058546008758 |
| 0014 11  | 1        | AUSGLEICHSCHEIBE   | 633514001                     | 4002395856244 |
| 0015 12  | 1        | GEHAEUSE           | 4931454448                    | 4058546008765 |
| 0023 13  | 4        | SCHRAUBE           | 4931454449                    | 4058546008772 |
| 0024 14  | 1        | BOLZEN             | 4931454450                    | 4058546008789 |
| 0025 15  | 2        | SCHEIBE            | 4931454451                    | 4058546008796 |
| 0026 16  | 1        | ZYLINDER           | 4931454452                    | 4058546008802 |
| 0027 17  | 1        | O-RING             | 561994001                     | 4002395854943 |
| 0028 18  | 1        | SCHLAGKOERPER      | 4931454453                    | 4058546008819 |
| 0029 19  | 1        | SPRENGRING         | 672632001                     | 4002395851386 |
| 0030 20  | 1        | O-RING             | 4931454454                    | 4058546008826 |
| 0031 21  | 1        | DOEPFER            | 4931454455                    | 4058546008833 |
| 0032 22  | 1        | SCHEIBE            | Item discontinued(633518001)  |               |
| 0033 23  | 1        | O-RING             | 562595001                     | 4002395850655 |
| 0034 24  | 1        | HUELSE             | 692722001                     | 4002395851973 |
| 0035 25  | 1        | O-RING             | 4931454456                    | 4058546008840 |
| 0036 26  | 1        | O-RING             | 4931436819                    | 4002395179084 |
| 0037 27  | 1        | BREMSRING          | 4931454457                    | 4058546008857 |
| 0038 28  | 1        | HALTERING          | 4931436804                    | 4002395180431 |
| 0039 29  | 3        | KUGEL              | 611405001                     | 4002395851201 |
| 0040 30  | 1        | KUPPLUNG           | 4931454458                    | 4058546008864 |
| 0041 31  | 1        | GETRIEBESATZ       | 4931454459                    | 4058546008871 |
| 0042 32  | 1        | KUPPLUNGSRING      | 4931454460                    | 4058546008888 |
| 0043 33  | 1        | SCHEIBE            | 633517001                     | 4002395851331 |
| 0044 34  | 1        | SPINDEL            | Item discontinued(4931454461) |               |
| 0045 35  | 1        | FEDER              | 4931453607                    | 4002395143849 |
| 0046 36  | 1        | KUGELPLATTE        | 632399001                     | 4002395856275 |
| 0047 37  | 1        | KUGEL              | 4931453606                    | 4002395143832 |
| 0048 38  | 1        | SICHERUNGSRING     | 633521001                     | 4002395856237 |
| 0049 39  | 1        | SPRENGRING         | Item discontinued(672631001)  |               |
| 0050 40  | 1        | SPANNHUELSE        | 522172001                     | 4002395854295 |
| 0051 41  | 1        | GUMMIKAPPE         | 561993001                     | 4002395854936 |
| 0052 42  | 1        | KONDENSATOR        | 4931454462                    | 4058546008901 |
| 0053 43  | 1        | SCHALTER           | 4931454463                    | 4058546008918 |
| 0054 44  | 1        | GUMMIKAPPE         | Item discontinued(4931454464) |               |
| 0055 45  | 1        | KUGELLAGER         | 4931454465                    | 4058546008932 |
| 0056 46  | 1        | MOTOR              | 4931454466                    | 4058546008949 |
| 0057 47  | 1        | KUGELLAGER         | 4931454467                    | 4058546008956 |
| 0058 48  | 2        | SCHRAUBE           | 4931454468                    | 4058546008963 |
| 0059 49  | 2        | SICHERUNGSSCHRAUBE | 661286001                     | 4002395851362 |
| 0060 50  | 1        | SCHRAUBE           | 4931436821                    | 4002395179060 |

| Position | Quantity | Description        | Part number                   | EAN           |
|----------|----------|--------------------|-------------------------------|---------------|
| 0061 51  | 1        | KUGELLAGER         | Item discontinued(4931454469) |               |
| 0062 52  | 1        | SCHEIBE            | 4931454470                    | 4058546008987 |
| 0063 53  | 1        | GETRIEBERAD        | 4931454471                    | 4058546008994 |
| 0064 54  | 1        | VORGELEGEWELLE     | 4931454472                    | 4058546009007 |
| 0065 55  | 1        | TAUMELTRIEB        | 4931466370                    | 4058546275877 |
| 0066 56  | 1        | KUPPLUNGSHUELSE    | 4931454474                    | 4058546009021 |
| 0067 57  | 1        | FEDER              | 4931454475                    | 4058546009038 |
| 0068 58  | 1        | KUPPLUNGSHUELSE    | 4931454499                    | 4058546009274 |
| 0069 59  | 1        | RITZEL             | 4931454500                    | 4058546009281 |
| 0070 60  | 1        | SCHEIBE            | 633525001                     | 4002395854141 |
| 0071 61  | 1        | HALTEPLATTE        | 4931454501                    | 4058546009298 |
| 0072 62  | 1        | FEDERBLECH         | 4931454502                    | 4058546009304 |
| 0075 63  | 1        | HALTER             | Item discontinued(4931454476) |               |
| 0076 64  | 1        | ELEKTRISCHES KABEL | 4931454477                    | 4058546009052 |
| 0078 65  | 1        | UMSCHALTER         | 4931454479                    | 4058546009076 |
| 0079 66  | 2        | SCHRAUBE           | 660570005                     | 4002395827329 |
| 0084 67  | 7        | SCHRAUBE           | 660024045                     | 4002395903689 |
| 0089 68  | 1        | TIEFENANSCHLAG     | 4931384434                    | 4002395719402 |
| 0090 69  | 1        | HANDGRIFFHAELFTE   | 4931454480                    | 4058546009083 |
| 0091 70  | 1        | GETRIEBEKASTEN     | 4931454481                    | 4058546009090 |
| 0093 71  | 1        | KNOPF              | 4931454482                    | 4058546009106 |
| 0094 72  | 1        | GETRIEBEKASTEN     | 4931454503                    | 4058546009311 |
| 0095 73  | 1        | ZYLINDER           | 4931454484                    | 4058546009120 |
| 0096 74  | 1        | DOEPFER            | 4931454485                    | 4058546009137 |
| 0097 75  | 1        | SPINDELHUELSE      | 4931454504                    | 4058546009328 |
| 0098 76  | 1        | AUFNAHMESTUECK     | 4931454487                    | 4058546009151 |
| 0099 77  | 1        | ANTRIEBSMOTOR      | 4931454488                    | 4058546009168 |
| 0100 78  | 1        | TAUMELTRIEB        | Item discontinued(4931454505) |               |
| 0103 79  | 1        | HANDGRIFF KOMPL.   | 4931454497                    | 4058546009250 |
| 0104 80  | 1        | LEISTUNGSSCHILD    | Item discontinued(4931454507) |               |
| 0105 81  | 1        | SCHALTER           | 4931454494                    | 4058546009229 |
| 0106 82  | 1        | PLATTE             | 4931454495                    | 4058546009236 |
| 0107 83  | 1        | KOHLEBUERSTEN-SET  | 4931454496                    | 4058546009243 |
| 0110 84  | 1        | HANDGRIFF KOMPL.   | 4931454490                    | 4058546009182 |
| 0700 85  | 1        | TRANSPORTKOFFER    | 4931454498                    | 4058546009267 |