

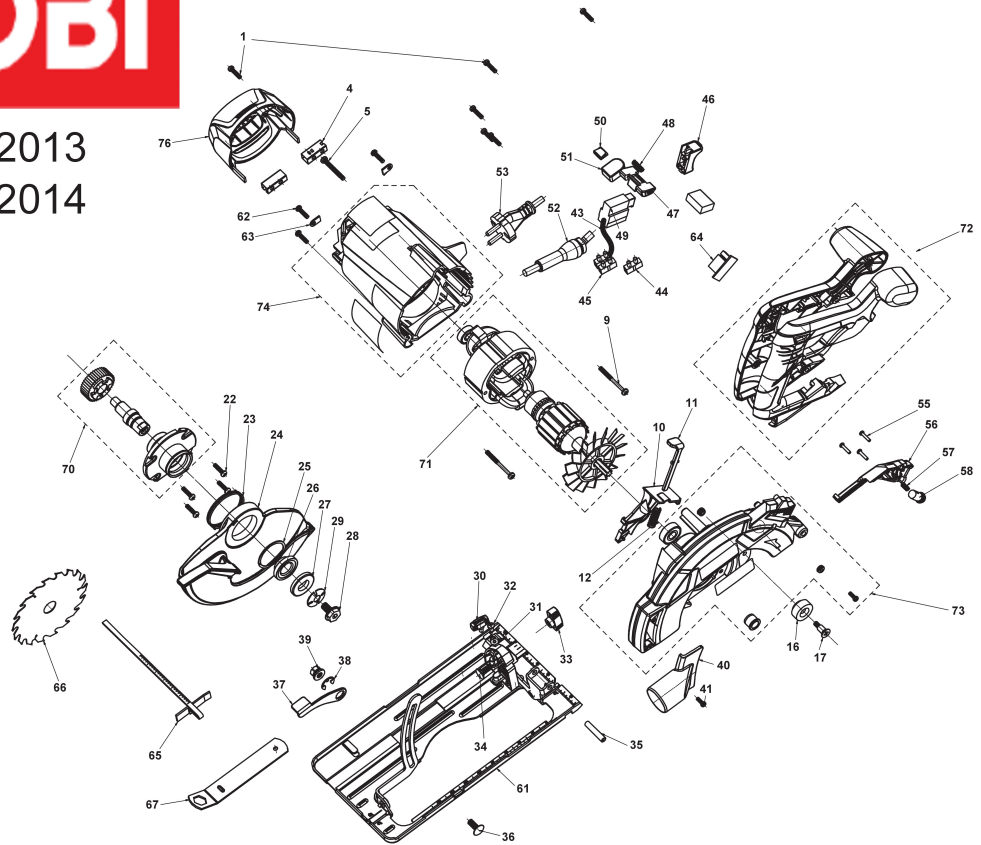
RCS1600-K 1600W Handkreissaege IN2

5133002779 - RCS1600-K - 4000462014





4000462013
4000462014



Position	Quantity	Description	Part number	EAN
1001 1	8	SCHRAUBE	Item discontinued(5131026648)	
1004 2	1	KOHLEBUERSTE	5131040104	4058546051662
1005 3	3	SCHRAUBE	5131040106	4058546051686
1009 4	2	SCHRAUBE	5131031101	4058546127732
1010 5	1	GEHAEUSEFUEHRUNG	Item discontinued(5131031102)	
1011 6	1	SPINDELARRETIERUNG	5131031103	4058546127756
1012 7	1	FEDER	5131031104	4058546189464
1016 8	1	STOSSFAENGER	5131031109	4058546127787
1017 9	1	SCHRAUBE	5131031110	4058546127794
1022 10	4	SCHRAUBE	Item discontinued(5131020051)	
1023 11	1	FEDER	5131031115	4058546127831
1024 12	1	TRENNSCHUTZHAUBE	5131031116	4058546127848
1025 13	1	RETAINING RING	5131031117	4058546127855
1026 14	1	FLANSCHSCHEIBE	5131031118	4058546127862
1027 15	1	FLANSCHSCHEIBE	5131031119	4058546127879
1028 16	1	SCHRAUBE	5131031120	4058546127886
1029 17	1	FEDERRING	5131031158	4058546128180
1030 18	1	SCHLOSS	5131031122	4058546127909
1031 19	1	MUTTER	Item discontinued(5131019732)	
1032 20	1	SCHRAUBE	Item discontinued(5131019731)	
1033 21	1	SCHLOSS	Item discontinued(5131031124)	
1034 22	1	SCHRAUBE	Item discontinued(5131019736)	
1035 23	1	ZYLINDERSTIFT	5131031125	4058546127923
1036 24	1	BEFESTIGUNGSBOLZEN	5131031126	4058546127930
1037 25	1	ARM	5131031127	4058546127947
1038 26	1	SICHERUNGSRING	5131031128	4058546127954
1039 27	1	FLANSMUTTER	5131031946	4058546056780
1040 28	1	TRENNABSAUG-SET	5131031130	4058546127978
1041 29	1	SCHRAUBE	Item discontinued(5131019546)	
1043 30	2	LEITUNG	Item discontinued(5131031951)	
1044 31	1	ANSCHLUSSKLEMME	Item discontinued(5131031134)	
1045 32	1	KLEMMLEISTE	Item discontinued(5131012421)	
1046 33	1	DRUECKER	5131031135	4058546127992
1047 34	1	DRUECKER	Item discontinued(5131031136)	
1048 35	1	FEDER	Item discontinued(5131011719)	
1049 36	1	EIN-AUS-SCHALTER	5131031137	4058546128012
1050 37	1	DECKEL	Item discontinued(5131031138)	
1051 38	1	LINSE-POLSTER	Item discontinued(5131031139)	
1052 39	1	KNICKSCHUTZ	Item discontinued(5131031140)	
1053 40	1	ANSCHLUSSLEITUNG	5131031141	4058546128036
1055 41	1	SCHRAUBE	Item discontinued(5131027443)	
1056 42	1	DECKEL	5131040113	4058546051754
1057 43	1	FEDER	Item discontinued(5131031147)	
1058 44	1	LASER	Item discontinued(5131031148)	
1061 45	1	GRUNDPLATTE	5131040107	4058546051693
1062 46	2	BUERSTENABDECKUNG	5131033581	4002395147342
1063 47	2	SCHRAUBE	Item discontinued(5131011573)	
1064 48	1	Elektronik	5131031144	4058546128043
1065 49	1	Parallelaschlag fuer R18CS-0	5131001023	4058546338626
1067 50	1	SCHLUESSEL	5131040108	4058546051709

Position	Quantity	Description	Part number	EAN
1070 51	1	GETRIEBEBAUSATZ	5131031948	4058546056766
1071 52	1	MOTOREINHEIT	Item discontinued(5131040109)	
1072 53	1	MOTORGEHAEUSE	Item discontinued(5131031947)	
1073 54	1	SCHUTZHAUBE	5131040114	4058546051761
1074 55	1	MOTORGEHAEUSE	5131040115	4058546051778
1076 56	1	ABDECKUNG	5131040112	4058546051747
1066 57	1	CSB190A1 Saegeblatt 190/16mm 24Z	5132002580	4892210120472