

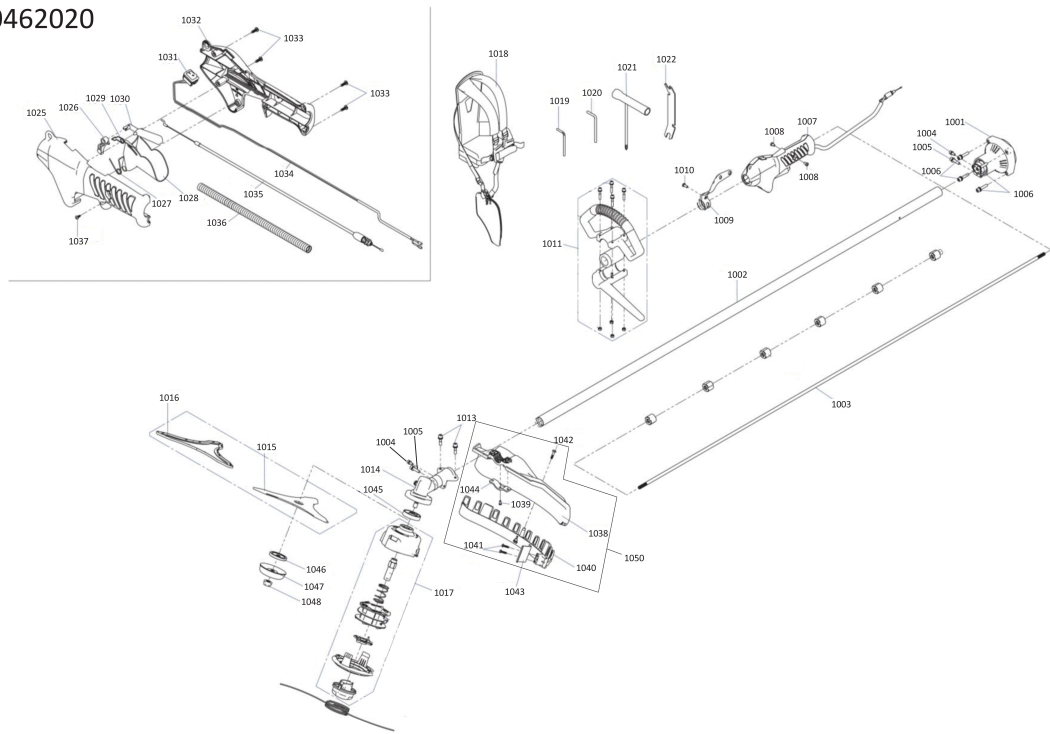
RBC47SEO 47 cm³ Motor-Sense XXX

5133002542 - RBC47SEO - 4000462020



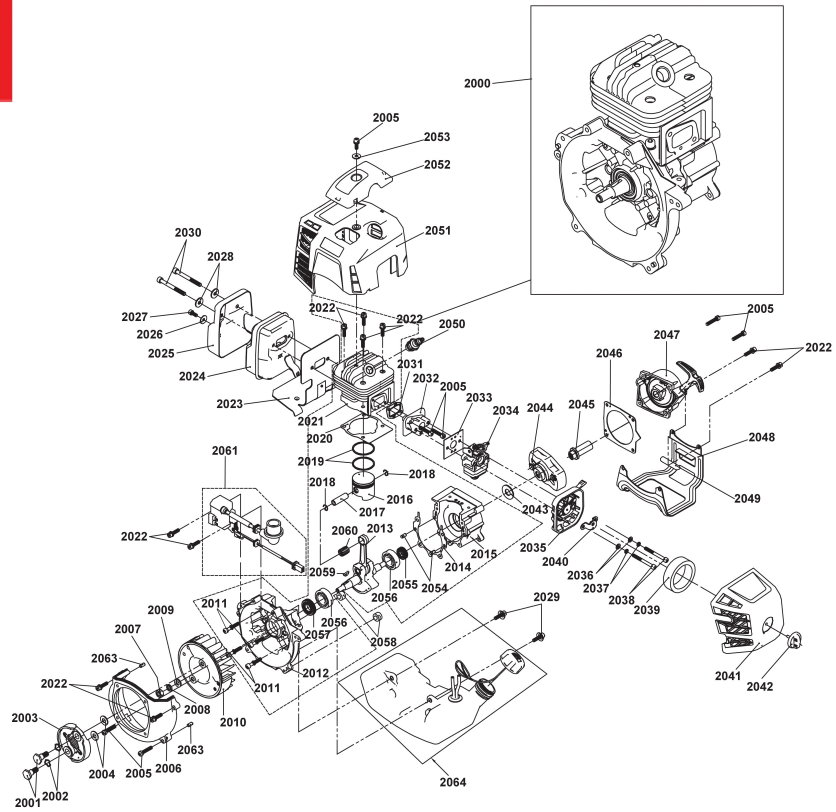


4000462020





4000462020



Position	Quantity	Description	Part number	EAN
1001 1	1	GETRIEBEKASTEN	5131036890	4002395169061
1002 2	1	ROHR	5131041244	4058546065089
1003 3	1	ANTRIEBSWELLE	5131036896	4002395169726
1004 4	2	SCHRAUBE	5131036891	4002395169078
1005 5	2	SCHRAUBE	Item discontinued(5131036892)	
1006 6	4	SCHRAUBE	5131036894	4002395169702
1007 7	1	HANDGRIFF	Item discontinued(5131037251)	
1008 8	2	SCHRAUBE	Item discontinued(5131037252)	
1009 9	1	HAKEN	Item discontinued(5131037253)	
1010 10	1	SCHRAUBE	Item discontinued(5131037254)	
1011 11	1	HANDGRIFF	Item discontinued(5131037255)	
1013 12	2	SCHRAUBE	5131036930	4002395168460
1014 13	1	GETRIEBEKOPF	Item discontinued(5131040903)	
1016 14	1	MESSERSCHUTZ	5131036939	4002395169153
1018 15	1	HANDSCHLAUFE	5131036942	4002395169184
1019 16	1	SCHLUESSEL	5131036944	4002395169801
1020 17	1	SCHLUESSEL	5131036945	4002395169818
1021 18	1	SCHLUESSEL	5131036946	4002395169825
1022 19	1	DOPP.MAULSCHLUESSEL	5131036943	4002395169191
1025 20	1	HANDGRIFFHAELFTE LI	Item discontinued(5131037260)	
1026 21	1	SCHALTHEBEL	Item discontinued(5131037261)	
1027 22	1	FEDER	Item discontinued(5131037262)	
1028 23	1	DRUECKER	Item discontinued(5131037263)	
1029 24	1	FEDER	Item discontinued(5131037264)	
1030 25	1	DRUECKER	Item discontinued(5131037265)	
1031 26	1	SCHALTER	5131037266	4002395277940
1032 27	1	HANDGRIFFHAELFTE RE	Item discontinued(5131037267)	
1033 28	4	SCHRAUBE	Item discontinued(5131037268)	
1034 29	1	LEITUNG	Item discontinued(5131037269)	
1035 30	1	LEITUNG	Item discontinued(5131037270)	
1036 31	1	KABELSCHUTZSCHLAUCH	Item discontinued(5131037271)	
1037 32	1	SCHRAUBE	5131037272	4002395278602
1038 33	1	SCHUTZ	Item discontinued(5131036933)	
1039 34	1	SCREW ST4 2X10	5131037281	4002395278695
1040 35	1	SCHUTZ	5131033335	4002395160938
1041 36	2	SCHRAUBE	Item discontinued(5131033334)	
1042 37	1	SCHRAUBE	5131037274	4002395278626
1043 38	1	MESSER	5131036935	4002395169115
1044 39	1	KLEMME	5131037275	4002395278633
1045 40	1	SCHEIBE	Item discontinued(5131033336)	
1046 41	1	SCHEIBE	5131033337	4002395160952
1047 42	1	SCHEIBE	Item discontinued(5131033336)	
1048 43	1	MUTTER	5131037276	4002395278640
1050 44	1	SCHUTZ	5131036932	4002395168484
2000 45	1	RUMPFMOTOR	5131036824	4002395170999
2001 46	2	SCHRAUBE	5131036825	4002395168200
2002 47	2	DICHTUNG	Item discontinued(5131036826)	
2003 48	1	KUPPLUNG	5131036827	4002395168224
2004 49	2	BEFESTIGUNGSET	Item discontinued(5131036828)	
2005 50	6	SCHRAUBE	Item discontinued(5131036829)	

Position	Quantity	Description	Part number	EAN
2006 51	1	DECKEL	5131036830	4002395168255
2007 52	2	MUTTER	5131036831	4002395168262
2008 53	2	FEDERRING	5131036832	4002395168279
2009 54	1	SCHEIBE	Item discontinued(5131036833)	
2010 55	1	SCHWUNGRAD	Item discontinued(5131036834)	
2011 56	4	SCHRAUBE	5131036835	4002395168903
2012 57	1	KURBELGEHAEUSE	5131036836	4002395168910
2013 58	1	KURBELWELLE	5131036837	4002395168927
2014 59	1	DICHTUNG	Item discontinued(5131036838)	
2015 60	1	KURBELGEHAEUSE	Item discontinued(5131036839)	
2016 61	1	KOLBEN	5131036840	4002395168958
2017 62	1	KOLBENBOLZEN	5131036841	4002395168965
2018 63	2	FEDERKLEMME	5131036842	4002395168972
2019 64	2	KOLBENRING	Item discontinued(5131036843)	
2020 65	1	ZYLINDERDICHTUNG	5131036844	4002395168996
2021 66	1	ZYLINDER	5131036845	4002395169603
2022 67	13	SCHRAUBE	Item discontinued(5131036846)	
2023 68	1	DICHTUNG	Item discontinued(5131036847)	
2024 69	1	SCHALLDAEMPFER / METALLGEHAEUSE	Item discontinued(5131036848)	
2025 70	1	DECKEL	5131036849	4002395169641
2026 71	3	SCHEIBE	5131036850	4002395169658
2027 72	1	SCHRAUBE	5131036851	4002395169665
2028 73	2	SCHEIBE	5131036852	4002395169672
2029 74	2	SCHRAUBE	5131037323	4002395278787
2030 75	2	SCHRAUBE	5131036854	4002395169696
2031 76	1	DICHTUNG	5131036855	4002395170302
2032 77	1	EINLASSKRUEMMER	5131036856	4002395170319
2033 78	1	DICHTUNG	5131036857	4002395170326
2034 79	1	VERGASER	5131036858	4002395170333
2035 80	1	DECKEL	5131036859	4002395170340
2036 81	2	SCHEIBE	5131036860	4002395170357
2037 82	2	FEDERRING	Item discontinued(5131036861)	
2038 83	2	SCHRAUBE	5131036862	4002395170371
2039 84	1	LUFTFILTEREINSATZ	5131036863	4002395170388
2040 85	1	TRAEGER	5131036864	4002395170395
2041 86	1	DECKEL	5131036865	4002395171002
2042 87	1	KNOPF	5131036866	4002395171019
2043 88	1	SCHEIBE	5131037245	4002395276530
2044 89	1	RIEMENSCHLEIFE	5131037246	4002395276547
2045 90	1	VERBINDUNGSSTUECK	5131037247	4002395276554
2046 91	1	DICHTUNG	Item discontinued(5131037248)	
2047 92	1	ZUGSTARTER	5131037249	4002395276578
2048 93	1	TRAEGER	5131036870	4002395171057
2049 94	1	GUMMIPUFFER	5131036871	4002395171064
2050 95	1	ZUENDKERZE	Item discontinued(5131036872)	
2051 96	1	GEHAEUSEKAPPE	5131036873	4002395171088
2052 97	1	DECKEL	5131036874	4002395171095
2053 98	1	SCHEIBE	5131036875	4002395168309
2054 99	2	ZENTRIERSTIFT	Item discontinued(5131036876)	
2055 100	1	DICHTUNG	5131036877	4002395168323

Position	Quantity	Description	Part number	EAN
2056 101	2	KUGELLAGER	5131036878	4002395168330
2057 102	1	DICHTUNG	5131036879	4002395168347
2058 103	2	GUMMIPUFFER	5131036880	4002395168354
2059 104	1	SCHLUESSEL	5131036881	4002395168361
2060 105	1	NADELLAGER	5131036882	4002395168378
2061 106	1	ZUENDANLAGE	5131041424	4058546246310
2063 107	2	ZENTRIERSTIFT	Item discontinued(5131036885)	
2064 108	1	BENZINTANK	5131036886	4002395169023