

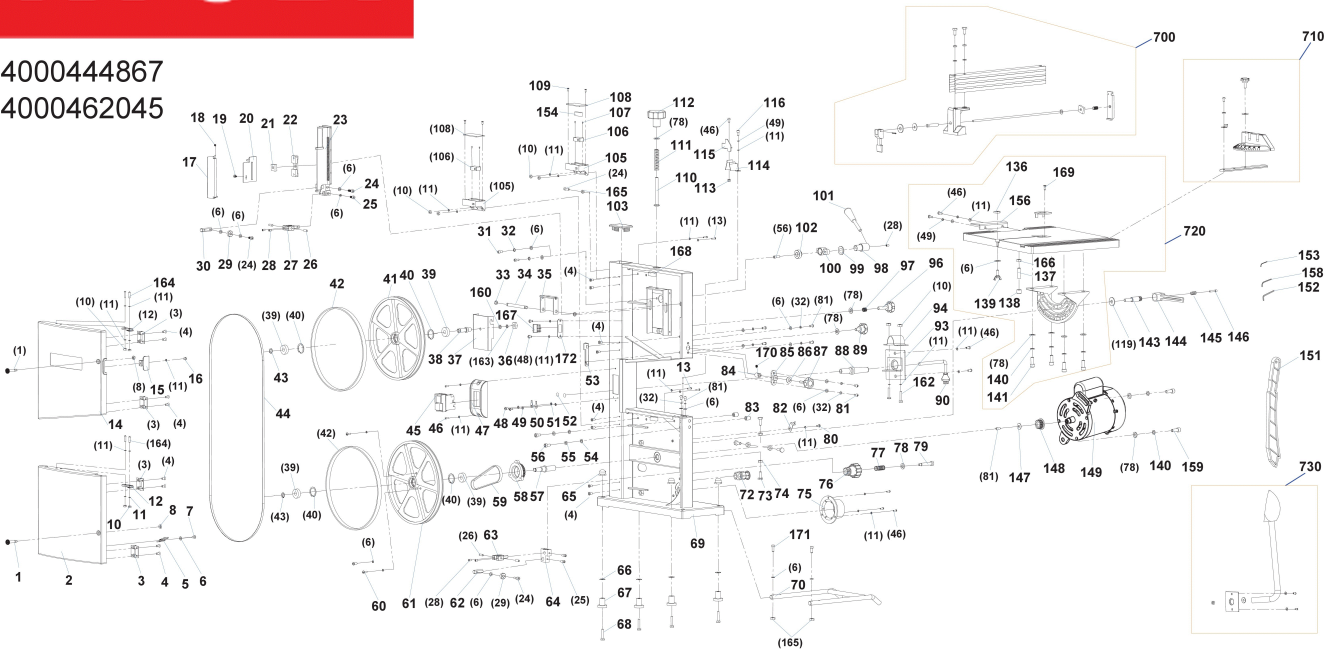
RBS904 350W Bandsaeger IN2

5133002854 - RBS904 - 4000462045





4000444867
4000462045



Position	Quantity	Description	Part number	EAN
1001 1	2	SICHERUNGSSCHRAUBE	5131038574	4058546017279
1002 2	1	TUER	Item discontinued(5131038575)	
1003 3	4	GELENKSTUECK	Item discontinued(5131038576)	
1004 4	16	SCHRAUBE	Item discontinued(5131038577)	
1005 5	1	REINIGUNGSBUERSTE	Item discontinued(5131038578)	
1006 6	21	SCHEIBE	5131038579	4058546017323
1007 7	1	SCHRAUBE	Item discontinued(5131038580)	
1008 8	2	KLEMME	Item discontinued(5131038581)	
1010 9	9	MUTTER	Item discontinued(5131038582)	
1011 10	26	SCHEIBE	Item discontinued(5131038583)	
1012 11	2	DRUECKER	5131038584	4058546017378
1013 12	4	SCHRAUBE	Item discontinued(5131038585)	
1014 13	1	TUER	Item discontinued(5131038586)	
1015 14	1	LINSE	Item discontinued(5131038587)	
1016 15	1	SCHRAUBE	Item discontinued(5131038588)	
1017 16	1	HANDSCHUTZ	5131038589	4058546017422
1018 17	1	FEDER	5131038590	4058546017439
1019 18	1	SCHRAUBE	5131038591	4058546017446
1020 19	1	AUFNAHME	5131038592	4058546017453
1021 20	1	ZWISCHENFLANSCH	5131038593	4058546017460
1022 21	1	HALTERUNG	Item discontinued(5131038594)	
1023 22	1	HALTESTANGE	5131038595	4058546017484
1024 23	3	SCHRAUBE	5131038596	4058546017491
1025 24	3	SCHRAUBE	5131038597	4058546017507
1026 25	4	SCHRAUBE	5131038597	4058546017507
1027 26	1	HALTERUNG	5131038599	4058546017521
1028 27	5	SCHRAUBE	5131038600	4058546017538
1029 28	2	LAGER	5131038601	4058546017545
1030 29	1	STEBOLZEN	5131038602	4058546017552
1031 30	2	SCHRAUBE	Item discontinued(5131038603)	
1032 31	9	SCHEIBE	5131038604	4058546017576
1033 32	2	SICHERUNGSRING	Item discontinued(5131038605)	
1034 33	1	HALTESTIFT	Item discontinued(5131038606)	
1035 34	1	HALTEPLATTE	Item discontinued(5131038607)	
1036 35	1	MUTTER	Item discontinued(5131038608)	
1037 36	1	ABDECKUNG	Item discontinued(5131038609)	
1038 37	1	ANTRIEBSWELLE	Item discontinued(5131038610)	
1039 38	4	LAGER	Item discontinued(5131038611)	
1040 39	4	SICHERUNGSRING	5131038612	4058546017651
1041 40	1	UMLAUFRAD	5131038613	4058546017668
1042 41	2	BANDAUFPLAGE	5131038614	4058546017675
1043 42	2	SICHERUNGSRING	5131038615	4058546017682
1044 43	1	SAEGBLATT	5131038616	4058546017699
1045 44	1	EIN-AUS-SCHALTER	5131038617	4058546017705
1046 45	10	SCHRAUBE	5131038618	4058546017712
1047 46	1	SCHALTERABDECKUNG	5131038619	4058546017729
1048 47	2	SCHRAUBE	Item discontinued(5131038620)	
1049 48	4	SCHEIBE	Item discontinued(5131038621)	
1050 49	2	KOHLEKONTAKTSTECKER	Item discontinued(5131038622)	
1051 50	2	ZAHNSCHEIBE	Item discontinued(5131038623)	

Position	Quantity	Description	Part number	EAN
1052 51	2	BEFEST.-RING	Item discontinued(5131038624)	
1053 52	1	HALTERUNG	Item discontinued(5131038625)	
1054 53	2	SCHEIBE	Item discontinued(5131038626)	
1055 54	2	SCHEIBE	Item discontinued(5131038627)	
1056 55	3	SCHRAUBE	Item discontinued(5131038628)	
1057 56	1	ANTRIEBSWELLE	Item discontinued(5131038629)	
1058 57	1	ANTRIEBSSCHAFT	5131038630	4058546017835
1059 58	1	RIEMEN	5131038631	4058546017842
1060 59	3	SCHRAUBE	5131038632	4058546017859
1061 60	1	UMLAUFRAD	Item discontinued(5131038633)	
1062 61	1	STEBOLZEN	5131038634	4058546017873
1063 62	1	HALTERUNG	Item discontinued(5131038635)	
1064 63	1	ZWISCHENFLANSCH	Item discontinued(5131038636)	
1065 64	4	SCHUTZKAPPE	5131038637	4058546017903
1066 65	4	SCHEIBE	5131038638	4058546017910
1067 66	4	GUMMIFUSS	Item discontinued(5131038639)	
1068 67	4	SCHRAUBE	Item discontinued(5131038640)	
1069 68	1	GRUNDKOERPER	5131038641	4058546017941
1070 69	1	STUETZTRAEGER	5131038642	4058546017958
1072 70	1	FESTSTELLSCHRAUBE	Item discontinued(5131038643)	
1073 71	4	SCHRAUBE	Item discontinued(5131038644)	
1074 72	4	MUTTER	Item discontinued(5131038645)	
1075 73	1	ABDECKUNG	Item discontinued(5131038646)	
1076 74	1	GETRIEBE	5131038647	4058546018009
1077 75	1	FEDER	Item discontinued(5131038648)	
1078 76	9	SCHEIBE	Item discontinued(5131038649)	
1079 77	1	SCHRAUBE	Item discontinued(5131038650)	
1080 78	1	SCHRAUBE	Item discontinued(5131038651)	
1081 79	9	SCHRAUBE	Item discontinued(5131038652)	
1082 80	1	ANZEIGER	Item discontinued(5131038653)	
1083 81	2	BUCHSE	Item discontinued(5131038654)	
1084 82	1	BUCHSE	Item discontinued(5131038655)	
1085 83	1	AUFNAHME	Item discontinued(5131038656)	
1086 84	2	SCHEIBE	Item discontinued(5131038657)	
1087 85	1	DREHKNOPF	5131038658	4058546018115
1088 86	1	KNICKSCHUTZ	Item discontinued(5131038659)	
1089 87	1	DREHKNOPF	Item discontinued(5131038660)	
1090 88	1	ELEKTRISCHES KABEL	5131040907	4058546061715
1093 89	1	HALTEBLECH	Item discontinued(5131038662)	
1094 90	1	KABELKLEMME	Item discontinued(5131038663)	
1096 91	1	DREHKNOPF	Item discontinued(5131038664)	
1097 92	1	FEDER	5131038665	4058546018184
1098 93	1	EXZENTERACHSE	Item discontinued(5131038666)	
1099 94	1	SCHEIBE	Item discontinued(5131038667)	
1100 95	1	HALTER	5131038668	4058546018214
1101 96	1	GRIFF	Item discontinued(5131038669)	
1102 97	1	BUCHSE	Item discontinued(5131038670)	
1103 98	1	ABDECKUNG	Item discontinued(5131038671)	
1105 99	2	SCHALTERAUFNAHME	Item discontinued(5131038672)	
1106 100	2	SCHALTER	Item discontinued(5131038673)	

Position	Quantity	Description	Part number	EAN
1107 101	4	SCHRAUBE	Item discontinued(5131038674)	
1108 102	2	DECKEL	Item discontinued(5131038675)	
1109 103	4	SCHRAUBE	5131038676	4058546018290
1110 104	1	GEWINDEBOLZEN	Item discontinued(5131038677)	
1111 105	1	FEDER	Item discontinued(5131038678)	
1112 106	1	DREHKNOPF	Item discontinued(5131038679)	
1113 107	1	MUTTER	Item discontinued(5131038680)	
1114 108	1	ABDECKKAPPE	Item discontinued(5131038681)	
1115 109	1	ABDECKKAPPE	Item discontinued(5131038682)	
1116 110	1	SCHRAUBE	Item discontinued(5131038683)	
1136 111	1	MUTTER	5131038684	4058546018375
1137 112	1	SCHRAUBE	Item discontinued(5131038685)	
1138 113	1	KAPPE	Item discontinued(5131038686)	
1139 114	1	FLUEGELSCHRAUBE	Item discontinued(5131038687)	
1140 115	6	SCHEIBE	Item discontinued(5131038688)	
1141 116	4	SCHRAUBE	Item discontinued(5131038689)	
1143 117	1	VERRIEGEL.-ELEMENT	5131038690	4058546018436
1144 118	1	VERRIEGELUNGSHEBEL	5131038691	4058546018443
1145 119	1	FEDER	5131038692	4058546018450
1146 120	2	SCHRAUBE	Item discontinued(5131038693)	
1147 121	1	SCHEIBE	Item discontinued(5131038694)	
1148 122	1	ZAHNRAD	5131038695	4058546018481
1149 123	1	MOTOR	Item discontinued(5131038696)	
1151 124	1	DRUCKSTANGE	5131038697	4058546018504
1152 125	1	SCHLUESSEL	5131038698	4058546018511
1153 126	1	SCHLUESSEL	5131038699	4058546018528
1154 127	1	SCHWAMM	Item discontinued(5131038700)	
1156 128	1	ABDECKUNG	Item discontinued(5131038701)	
1158 129	1	SCHLUESSEL	Item discontinued(5131038702)	
1159 130	2	SCHRAUBE	Item discontinued(5131038703)	
1160 131	1	SCHEIBE	Item discontinued(5131038704)	
1162 132	2	SCHRAUBE	Item discontinued(5131038705)	
1163 133	1	SCHEIBE	Item discontinued(5131038706)	
1164 134	4	SCHRAUBE	Item discontinued(5131038707)	
1165 135	3	MUTTER	Item discontinued(5131038708)	
1166 136	1	MUTTER	Item discontinued(5131038709)	
1167 137	1	SCHALTER	Item discontinued(5131038710)	
1168 138	1	SCHWAMM	Item discontinued(5131038711)	
1169 139	1	SCHRAUBE	5131038712	4058546018658
1170 140	1	SCHRAUBE	Item discontinued(5131038713)	
1171 141	2	SCHRAUBE	5131038714	4058546018672
1172 142	1	SCHALTERABDECKUNG	Item discontinued(5131038715)	
1700 143	1	SAEGEANSCHLAG	Item discontinued(5131038716)	
1710 144	1	SAEGEANSCHLAG	5131038717	4058546018702
1720 145	1	SAEGETISCH	5131038718	4058546018719
1730 146	1	ARBEITSLEUCHTE	Item discontinued(5131038719)	
147	1	PWFBSB157214TPI 14 TPI Bandsaegeblatt XX	Item discontinued(5132003114)	
148	1	PWFBSB157206TPI Saegeblatt f. Bd.saege X	Item discontinued(5132003123)	