

RBGL650G 370W Kombischleifmaschine IN2

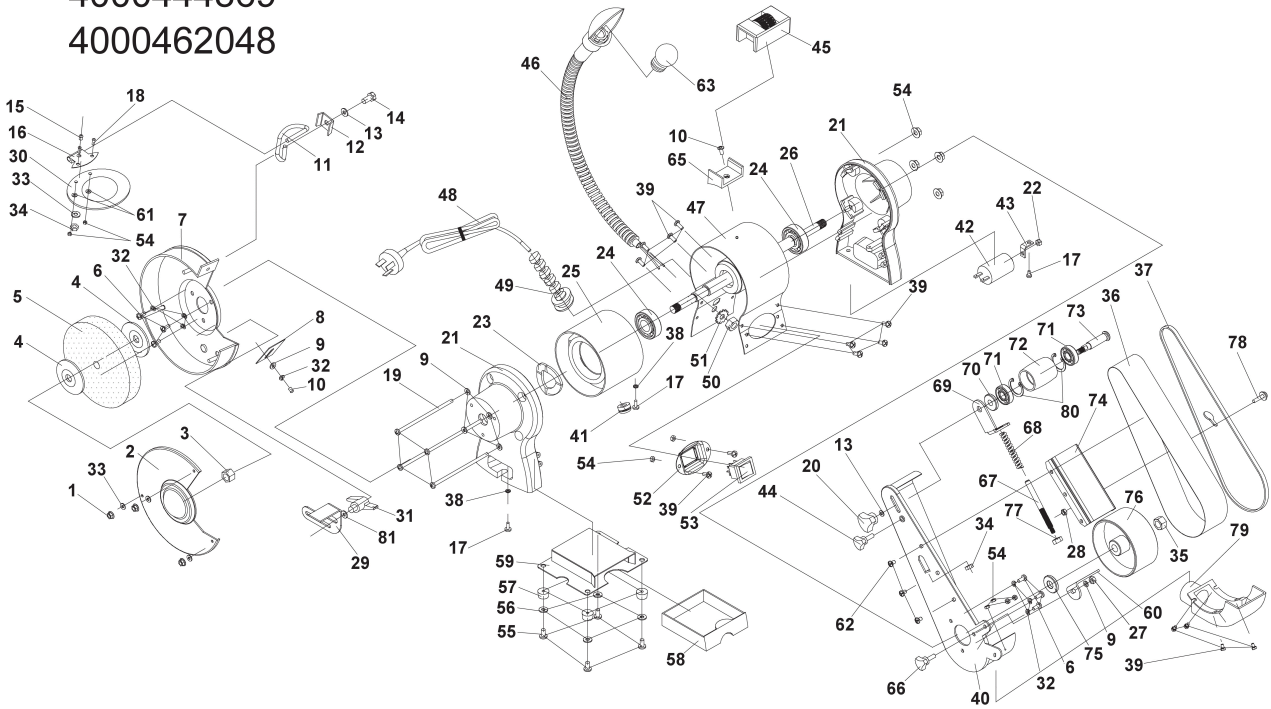
5133002857 - RBGL650G - 4000462048





4000444869

4000462048



Position	Quantity	Description	Part number	EAN
1001 1	3	MUTTER	Item discontinued(5131037898)	
1002 2	1	SCHUTZ	Item discontinued(5131037899)	
1003 3	1	MUTTER	Item discontinued(5131037900)	
1004 4	2	FLANSCHMUTTER	Item discontinued(5131037901)	
1005 5	1	SCHLEIFSCHEIBE	Item discontinued(5131037902)	
1006 6	6	SCHRAUBE	Item discontinued(5131037903)	
1007 7	1	SCHUTZ	Item discontinued(5131037904)	
1008 8	1	FUNKENSCHUTZ	Item discontinued(5131037905)	
1009 9	7	SCHEIBE	Item discontinued(5131037906)	
1010 10	2	SCHRAUBE	Item discontinued(5131037907)	
1011 11	1	HALTEBUEGEL	Item discontinued(5131037908)	
1012 12	1	HALTERUNG	Item discontinued(5131037909)	
1013 13	2	SCHEIBE	Item discontinued(5131037910)	
1014 14	1	MUTTER	Item discontinued(5131037911)	
1015 15	1	SCHRAUBE	Item discontinued(5131037912)	
1016 16	1	HALTERUNG	Item discontinued(5131037913)	
1017 17	3	SCHRAUBE	Item discontinued(5131037914)	
1018 18	2	SCHRAUBE	Item discontinued(5131037915)	
1019 19	4	SCHRAUBE	Item discontinued(5131037916)	
1020 20	1	DREHKNOPF	Item discontinued(5131037917)	
1021 21	2	SEITENTEIL	Item discontinued(5131037918)	
1022 22	1	MUTTER	Item discontinued(5131037919)	
1023 23	1	FEDERSCHEIBE	Item discontinued(5131037920)	
1024 24	2	KUGELLAGER	Item discontinued(5131037921)	
1025 25	1	STATOR	Item discontinued(5131037922)	
1026 26	1	ROTOR	Item discontinued(5131037923)	
1027 27	1	MUTTER	Item discontinued(5131037924)	
1028 28	1	MUTTER	Item discontinued(5131037925)	
1029 29	1	AUFLAGEPLATTE	5131037926	4058546004408
1030 30	1	SCHUTZ	5131037927	4058546004415
1031 31	1	DREHKNOPF	Item discontinued(5131037928)	
1032 32	7	SCHEIBE	Item discontinued(5131037929)	
1033 33	5	SCHEIBE	Item discontinued(5131037930)	
1034 34	2	MUTTER	Item discontinued(5131037931)	
1035 35	1	MUTTER	Item discontinued(5131037932)	
1036 36	1	SCHLEIFPAPIER	Item discontinued(5131037933)	
1037 37	1	ABDECKUNG	Item discontinued(5131037934)	
1038 38	2	ZAHNSCHEIBE	Item discontinued(5131037935)	
1039 39	14	SCHRAUBE	Item discontinued(5131037936)	
1040 40	1	SCHUTZHAUBE	Item discontinued(5131037937)	
1041 41	1	BUECHSE	Item discontinued(5131037938)	
1042 42	1	KONDENSATOR	Item discontinued(5131037939)	
1043 43	1	STUETZBLECH	Item discontinued(5131037940)	
1044 44	1	DREHKNOPF	Item discontinued(5131037941)	
1045 45	1	REINIGUNGSBUERSTE	Item discontinued(5131037942)	
1046 46	1	ARBEITSLEUCHTE	Item discontinued(5131037943)	
1047 47	1	GEHAEUSE	Item discontinued(5131037944)	
1048 48	1	ELEKTRISCHES KABEL	5131040906	4058546061708
1049 49	1	KABELSCHUTZSCHLAUCH	Item discontinued(5131037946)	
1050 50	1	MUTTER	Item discontinued(5131037947)	

Position	Quantity	Description	Part number	EAN
1051 51	1	SCHEIBE	Item discontinued(5131037948)	
1052 52	1	SCHALTERAUFNAHME	Item discontinued(5131037949)	
1053 53	1	SCHALTER	Item discontinued(5131037950)	
1054 54	12	MUTTER	Item discontinued(5131037951)	
1055 55	4	SCHRAUBE	Item discontinued(5131037952)	
1056 56	4	SCHEIBE	Item discontinued(5131037953)	
1057 57	4	GUMMIFUSS	Item discontinued(5131037954)	
1058 58	1	BEHAELTER	Item discontinued(5131037955)	
1059 59	1	BODENPLATTE	Item discontinued(5131037956)	
1060 60	1	AUFLAGEPLATTE	Item discontinued(5131037957)	
1061 61	2	SCHEIBE	Item discontinued(5131037953)	
1062 62	3	SCHRAUBE	Item discontinued(5131037959)	
1063 63	1	BIRNE	5131037960	4058546004743
1065 64	1	AUFNAHME	Item discontinued(5131037961)	
1066 65	1	DREHKNOPF	Item discontinued(5131037962)	
1067 66	1	ARRETIERSTANGE	Item discontinued(5131037963)	
1068 67	1	FEDER	Item discontinued(5131037964)	
1069 68	1	HALTERUNG	Item discontinued(5131037965)	
1070 69	1	RIEMENSCHLEIBE	Item discontinued(5131037966)	
1071 70	2	KUGELLAGER	5131037967	4058546004811
1072 71	1	SCHLEIFBANDROLLE	Item discontinued(5131037968)	
1073 72	1	ANTRIEBSSCHAFT	Item discontinued(5131037969)	
1074 73	1	STUETZPLATTE	Item discontinued(5131037970)	
1075 74	1	RIEMENSCHLEIBE	Item discontinued(5131037971)	
1076 75	1	SCHLEIFBANDROLLE	Item discontinued(5131037972)	
1077 76	1	MUTTER	Item discontinued(5131037973)	
1078 77	1	SCHRAUBE	Item discontinued(5131037974)	
1079 78	1	ABSAUGSTUTZEN	5131037975	4058546004897
1080 79	2	SICHERUNGSRING	5131037976	4058546004903
1081 80	1	SCHEIBE	Item discontinued(5131037977)	