

# RSW1240G 125W 405mm Dekupiersaäge IN2

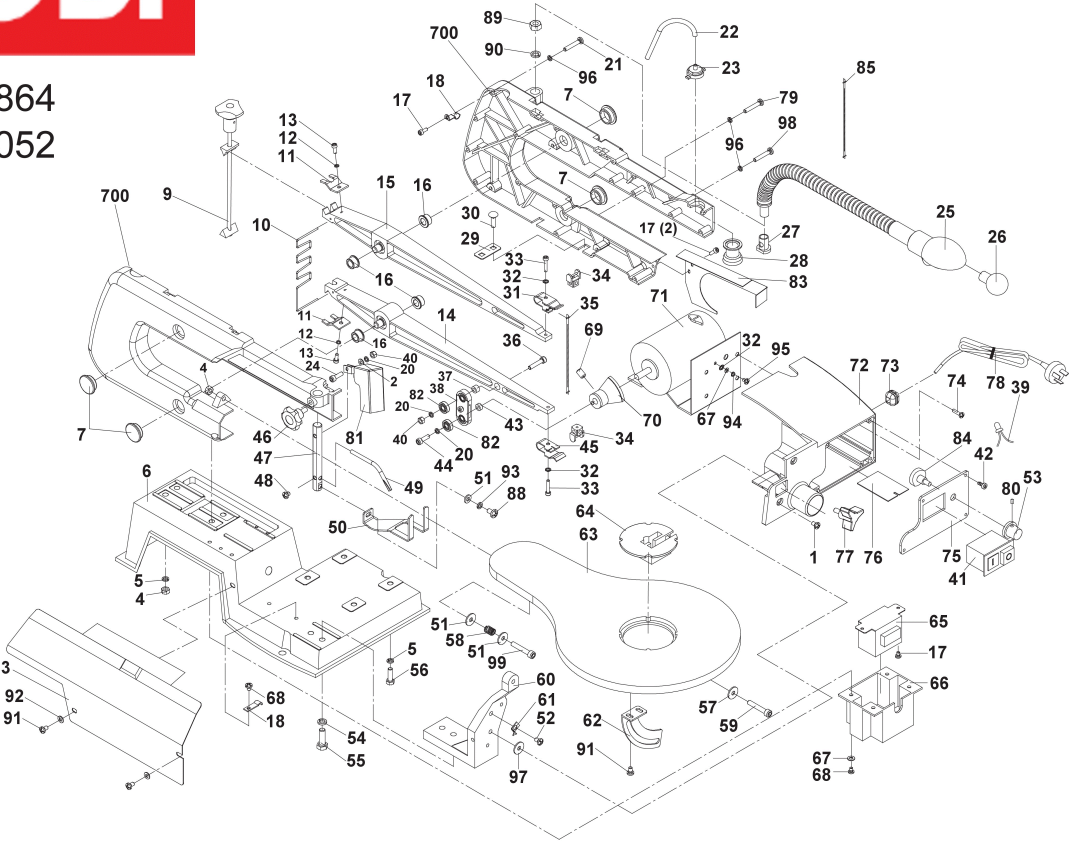
5133002860 - RSW1240G - 4000462052





4000444864

4000462052



| Position | Quantity | Description       | Part number                   | EAN           |
|----------|----------|-------------------|-------------------------------|---------------|
| 1001 1   | 6        | SCHRAUBE          | Item discontinued(5131037730) |               |
| 1002 2   | 3        | SCHEIBE           | 5131037731                    | 4058546001483 |
| 1003 3   | 1        | SEITENTEIL        | Item discontinued(5131037732) |               |
| 1004 4   | 5        | MUTTER            | 5131037733                    | 4058546001506 |
| 1005 5   | 9        | SCHEIBE           | Item discontinued(5131037734) |               |
| 1006 6   | 1        | GRUNDKOERPER      | Item discontinued(5131037735) |               |
| 1007 7   | 4        | STAUBSCHUTZKAPPE  | Item discontinued(5131037736) |               |
| 1009 8   | 1        | SPANNEINRICHTUNG  | 5131037738                    | 4058546001551 |
| 1010 9   | 1        | FEDER             | 5131037739                    | 4058546001568 |
| 1011 10  | 2        | DRUCKBLECH        | 5131037740                    | 4058546001575 |
| 1012 11  | 3        | SCHEIBE           | 5131037741                    | 4058546001582 |
| 1013 12  | 2        | SCHRAUBE          | 5131037742                    | 4058546001599 |
| 1014 13  | 1        | ARM               | 5131037743                    | 4058546001605 |
| 1015 14  | 1        | ARM               | Item discontinued(5131037744) |               |
| 1016 15  | 4        | LAGERBUECHSE      | Item discontinued(5131037745) |               |
| 1017 16  | 8        | SCHRAUBE          | Item discontinued(5131037746) |               |
| 1018 17  | 7        | KABELKLEMME       | Item discontinued(5131037747) |               |
| 1020 18  | 11       | SCHEIBE           | 5131037749                    | 4058546001667 |
| 1021 19  | 5        | SCHRAUBE          | Item discontinued(5131037750) |               |
| 1022 20  | 1        | SCHLAUCH          | Item discontinued(5131037751) |               |
| 1023 21  | 1        | KAPPE             | Item discontinued(5131037752) |               |
| 1024 22  | 2        | SCHRAUBE          | Item discontinued(5131037753) |               |
| 1025 23  | 1        | ARBEITSLEUCHTE    | Item discontinued(5131037754) |               |
| 1026 24  | 1        | BIRNE             | 5131037755                    | 4058546001728 |
| 1027 25  | 1        | BEFESTIGUNGSET    | Item discontinued(5131037756) |               |
| 1028 26  | 1        | BALG              | 5131037757                    | 4058546001742 |
| 1029 27  | 2        | VERBINDUNGSSTUECK | Item discontinued(5131037758) |               |
| 1030 28  | 4        | SCHRAUBE          | Item discontinued(5131037759) |               |
| 1031 29  | 1        | WERKZEUGAUFNAHME  | 5131037760                    | 4058546001773 |
| 1032 30  | 3        | SCHEIBE           | Item discontinued(5131037761) |               |
| 1033 31  | 3        | SCHRAUBE          | 5131037762                    | 4058546001797 |
| 1034 32  | 2        | WERKZEUGAUFNAHME  | 5131037763                    | 4058546001803 |
| 1036 33  | 2        | SCHRAUBE          | Item discontinued(5131037764) |               |
| 1037 34  | 1        | HUELSE            | 5131037765                    | 4058546001827 |
| 1038 35  | 1        | VERBINDUNGSSTUECK | 5131037766                    | 4058546001834 |
| 1039 36  | 6        | KONTROLLEUCHTE    | Item discontinued(5131037767) |               |
| 1040 37  | 2        | MUTTER            | 5131037768                    | 4058546001858 |
| 1041 38  | 1        | SCHALTER          | Item discontinued(5131037769) |               |
| 1042 39  | 5        | SCHRAUBE          | Item discontinued(5131037770) |               |
| 1043 40  | 1        | HUELSE            | 5131037771                    | 4058546001889 |
| 1044 41  | 1        | SCHRAUBE          | 5131037772                    | 4058546001896 |
| 1045 42  | 1        | WERKZEUGAUFNAHME  | Item discontinued(5131037773) |               |
| 1046 43  | 1        | DREHKNOPF         | Item discontinued(5131037774) |               |
| 1047 44  | 1        | AUFNAHME          | Item discontinued(5131037775) |               |
| 1048 45  | 1        | SCHRAUBE          | Item discontinued(5131037776) |               |
| 1049 46  | 1        | DUESE             | 5131037777                    | 4058546002916 |
| 1050 47  | 1        | HALTERUNG         | Item discontinued(5131037778) |               |
| 1051 48  | 1        | SCHEIBE           | Item discontinued(5131037779) |               |
| 1052 49  | 2        | SCHRAUBE          | Item discontinued(5131037780) |               |
| 1053 50  | 1        | DREHKNOPF         | Item discontinued(5131037781) |               |

| Position | Quantity | Description                            | Part number                   | EAN           |
|----------|----------|--|-------------------------------|---------------|
| 1054 51  | 2        | SCHEIBE                                | Item discontinued(5131037782) |               |
| 1055 52  | 2        | SCHRAUBE                               | Item discontinued(5131037783) |               |
| 1056 53  | 4        | SCHRAUBE                               | Item discontinued(5131037784) |               |
| 1057 54  | 4        | SCHEIBE                                | Item discontinued(5131037785) |               |
| 1058 55  | 1        | FEDER                                  | Item discontinued(5131037786) |               |
| 1059 56  | 2        | SCHRAUBE                               | Item discontinued(5131037787) |               |
| 1060 57  | 1        | STUETZPLATTE                           | Item discontinued(5131037788) |               |
| 1061 58  | 1        | ZEIGER                                 | Item discontinued(5131037789) |               |
| 1062 59  | 1        | SKALA                                  | Item discontinued(5131037790) |               |
| 1063 60  | 1        | SAEGETISCH                             | Item discontinued(5131037791) |               |
| 1064 61  | 1        | SAEGEEINLAGE                           | Item discontinued(5131037792) |               |
| 1065 62  | 1        | TRANSFORMATOR                          | Item discontinued(5131037793) |               |
| 1066 63  | 1        | GEHAEUSE                               | Item discontinued(5131037794) |               |
| 1067 64  | 5        | SCHEIBE                                | Item discontinued(5131037795) |               |
| 1068 65  | 6        | SCHRAUBE                               | Item discontinued(5131037796) |               |
| 1069 66  | 1        | SCHRAUBE                               | 5131037797                    | 4058546003111 |
| 1070 67  | 1        | ANTRIEBSROLLE                          | 5131037798                    | 4058546003128 |
| 1071 68  | 1        | DC-MOTOR                               | 5131037799                    | 4058546003135 |
| 1072 69  | 1        | GEHAEUSE                               | 5131037800                    | 4058546003142 |
| 1073 70  | 1        | KABELSCHUH                             | Item discontinued(5131037801) |               |
| 1074 71  | 4        | SCHRAUBE                               | Item discontinued(5131037802) |               |
| 1075 72  | 1        | BEFESTIGUNGSTEIL                       | Item discontinued(5131037803) |               |
| 1076 73  | 1        | ELEKTRONIK-PLATINE                     | Item discontinued(5131037804) |               |
| 1077 74  | 1        | DREHKNOPF                              | Item discontinued(5131037805) |               |
| 1078 75  | 1        | ELEKTRISCHES KABEL                     | Item discontinued(5131040908) |               |
| 1079 76  | 2        | SCHRAUBE                               | Item discontinued(5131037807) |               |
| 1080 77  | 1        | SCHRAUBE                               | Item discontinued(5131037808) |               |
| 1081 78  | 1        | SAEGESCHUTZ                            | Item discontinued(5131037809) |               |
| 1082 79  | 2        | KUGELLAGER                             | 5131037810                    | 4058546003241 |
| 1083 80  | 1        | SCHUTZ                                 | Item discontinued(5131037811) |               |
| 1084 81  | 1        | SCHALTER                               | Item discontinued(5131037812) |               |
| 1088 82  | 1        | SCHRAUBE                               | Item discontinued(5131037813) |               |
| 1089 83  | 1        | MUTTER                                 | Item discontinued(5131037814) |               |
| 1090 84  | 1        | SCHRAUBE                               | Item discontinued(5131037815) |               |
| 1091 85  | 4        | SCHRAUBE                               | Item discontinued(5131037816) |               |
| 1092 86  | 2        | SCHEIBE                                | 5131037817                    | 4058546003319 |
| 1093 87  | 1        | SCHEIBE                                | Item discontinued(5131037818) |               |
| 1094 88  | 1        | SCHEIBE                                | Item discontinued(5131037819) |               |
| 1095 89  | 1        | SCHRAUBE                               | Item discontinued(5131037820) |               |
| 1096 90  | 8        | SCHEIBE                                | Item discontinued(5131037821) |               |
| 1097 91  | 1        | SCHEIBE                                | Item discontinued(5131037822) |               |
| 1098 92  | 1        | SCHRAUBE                               | Item discontinued(5131037823) |               |
| 1099 93  | 1        | SCHRAUBE                               | 5131037824                    | 4058546003388 |
| 1700 94  | 1        | GEHAUESESEITENTEIL                     | Item discontinued(5131040069) |               |
| 95       | 1        | SSB15TPI Dekupiersaegeblatt 15 TPI XXX | Item discontinued(5132002897) |               |
| 96       | 1        | SSB18TPI Dekupiersaegeblatt 18 TPI XXX | 5132002898                    | 4892210128591 |