

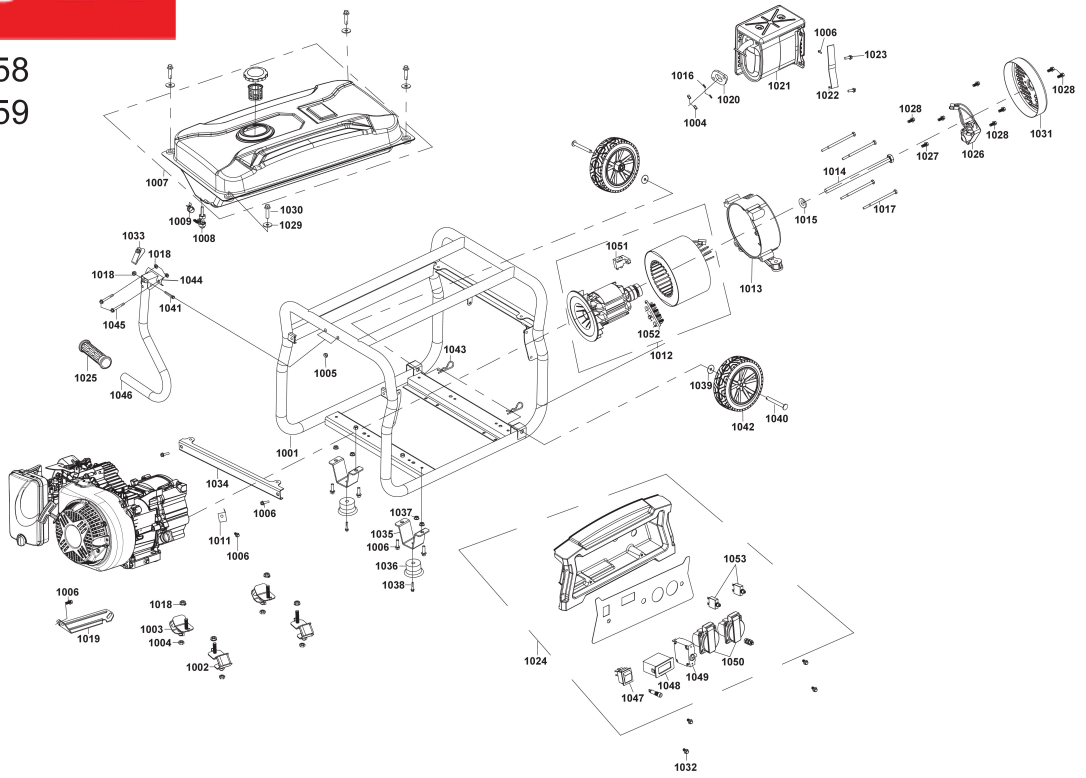
# RGN3600 STROMERZEUGER 3600W IN2

5133002563 - RGN3600 - 4000462059





4000462058  
4000462059





| Position | Quantity | Description       | Part number                   | EAN           |
|----------|----------|-------------------|-------------------------------|---------------|
| 1001 1   | 1        | GESTELL           | 5131040096                    | 4058546051587 |
| 1002 2   | 2        | DAEMPfungSELEMENT | Item discontinued(5131039664) |               |
| 1003 3   | 2        | DAEMPfungSELEMENT | Item discontinued(5131039665) |               |
| 1004 4   | 6        | MUTTER            | Item discontinued(5131039559) |               |
| 1005 5   | 1        | DAEMPfungSELEMENT | Item discontinued(5131039915) |               |
| 1006 6   | 9        | SCHRAUBE          | Item discontinued(5131039561) |               |
| 1007 7   | 1        | BEHAELTER         | Item discontinued(5131040083) |               |
| 1008 8   | 1        | ABSPERRHAHN       | 5131039917                    | 4058546049799 |
| 1009 9   | 1        | FEDERKLEMME       | Item discontinued(5131039875) |               |
| 1011 10  | 1        | BEFESTIGUNGSTEIL  | Item discontinued(5131039839) |               |
| 1012 11  | 1        | STATOR            | Item discontinued(5131039918) |               |
| 1013 12  | 1        | GRUNDKOERPER      | Item discontinued(5131039919) |               |
| 1014 13  | 1        | BOLZEN            | Item discontinued(5131039920) |               |
| 1015 14  | 1        | DICHTUNG          | Item discontinued(5131039569) |               |
| 1016 15  | 2        | SCHEIBE           | Item discontinued(5131039589) |               |
| 1017 16  | 4        | SCHRAUBE          | Item discontinued(5131039680) |               |
| 1018 17  | 7        | MUTTER            | Item discontinued(5131039574) |               |
| 1019 18  | 1        | HALTERUNG         | Item discontinued(5131039840) |               |
| 1020 19  | 1        | DICHTUNG          | 5131039846                    | 4058546049089 |
| 1021 20  | 1        | SCHALLDAEMPFER    | 5131040097                    | 4058546051594 |
| 1022 21  | 1        | TRAEGER           | Item discontinued(5131039663) |               |
| 1023 22  | 2        | SCHRAUBE          | Item discontinued(5131039565) |               |
| 1024 23  | 1        | REGELVORRICHT.    | Item discontinued(5131040098) |               |
| 1025 24  | 1        | GRIFFSTUECK       | Item discontinued(5131039934) |               |
| 1026 25  | 1        | REGELVORRICHT.    | Item discontinued(5131039580) |               |
| 1027 26  | 1        | MUTTER            | Item discontinued(5131039582) |               |
| 1028 27  | 7        | MUTTER            | Item discontinued(5131039581) |               |
| 1029 28  | 4        | SCHEIBE           | Item discontinued(5131039583) |               |
| 1030 29  | 4        | SCHRAUBE          | Item discontinued(5131039692) |               |
| 1031 30  | 1        | DECKEL            | Item discontinued(5131039585) |               |
| 1032 31  | 4        | SCHRAUBE          | Item discontinued(5131039923) |               |
| 1033 32  | 1        | KLEMME            | Item discontinued(5131039924) |               |
| 1034 33  | 1        | BEFESTIGUNGSTEIL  | Item discontinued(5131040090) |               |
| 1035 34  | 2        | ABSTUETZUNG       | Item discontinued(5131040091) |               |
| 1036 35  | 2        | GUMMIFUSS         | Item discontinued(5131039927) |               |
| 1037 36  | 4        | MUTTER            | Item discontinued(5131039588) |               |
| 1038 37  | 2        | SCHRAUBE          | Item discontinued(5131039928) |               |
| 1039 38  | 2        | DICHTUNG          | Item discontinued(5131039673) |               |
| 1040 39  | 2        | ACHSE             | Item discontinued(5131039929) |               |
| 1041 40  | 1        | SCHRAUBE          | Item discontinued(5131039668) |               |
| 1042 41  | 2        | RAD               | Item discontinued(5131039930) |               |
| 1043 42  | 2        | SPLINT            | Item discontinued(5131039672) |               |
| 1044 43  | 1        | VERBINDUNGSSTUECK | Item discontinued(5131040092) |               |
| 1045 44  | 2        | SCHRAUBE          | Item discontinued(5131039932) |               |
| 1046 45  | 1        | LENKSTANGE        | Item discontinued(5131040093) |               |
| 1047 46  | 1        | SCHALTER          | Item discontinued(5131039590) |               |
| 1048 47  | 1        | KONTROLLVORR.     | Item discontinued(5131039591) |               |
| 1049 48  | 1        | SCHALTER          | Item discontinued(5131039935) |               |
| 1050 49  | 2        | STECKDOSE         | Item discontinued(5131040078) |               |
| 1051 50  | 1        | KOHLEBUERSTE      | 5131039936                    | 4058546049980 |

| Position | Quantity | Description        | Part number                   | EAN           |
|----------|----------|--------------------|-------------------------------|---------------|
| 1052 51  | 1        | KONTAKT            | Item discontinued(5131039595) |               |
| 1053 52  | 2        | TEMPERATURFUEHLER  | Item discontinued(5131040100) |               |
| 2001 53  | 1        | KURBELGEHAEUSE     | Item discontinued(5131039937) |               |
| 2002 54  | 2        | LAGER              | Item discontinued(5131039938) |               |
| 2003 55  | 2        | DICHTUNG           | Item discontinued(5131039851) |               |
| 2004 56  | 1        | DREHZAHLREGLER     | Item discontinued(5131039939) |               |
| 2005 57  | 1        | SCHAFT             | 5131039940                    | 4058546050023 |
| 2006 58  | 1        | SCHEIBE            | Item discontinued(5131039854) |               |
| 2007 59  | 1        | SPLINT             | Item discontinued(5131039602) |               |
| 2008 60  | 2        | SCHRAUBE           | Item discontinued(5131039603) |               |
| 2009 61  | 2        | SCHEIBE            | Item discontinued(5131039604) |               |
| 2010 62  | 1        | SCHALTER           | Item discontinued(5131039855) |               |
| 2011 63  | 2        | SCHRAUBE           | Item discontinued(5131039856) |               |
| 2012 64  | 2        | STIFT              | Item discontinued(5131039607) |               |
| 2013 65  | 1        | KOLBEN             | Item discontinued(5131039941) |               |
| 2014 66  | 1        | KOLBENRING SET     | 5131039942                    | 4058546050047 |
| 2015 67  | 1        | PLEUEL             | Item discontinued(5131039943) |               |
| 2016 68  | 1        | STIFT              | Item discontinued(5131039860) |               |
| 2017 69  | 2        | KLEMME             | Item discontinued(5131039861) |               |
| 2018 70  | 1        | KURBELGEHAEUSE     | Item discontinued(5131039862) |               |
| 2019 71  | 1        | ZYLINDERABDECKUNG  | Item discontinued(5131039944) |               |
| 2020 72  | 1        | EINLASSVENTIL      | Item discontinued(5131039864) |               |
| 2021 73  | 1        | AUSLASSVENTIL      | Item discontinued(5131039865) |               |
| 2022 74  | 1        | DECKEL             | Item discontinued(5131039866) |               |
| 2023 75  | 2        | FEDER              | Item discontinued(5131039867) |               |
| 2024 76  | 1        | FEDER              | Item discontinued(5131039619) |               |
| 2025 77  | 1        | FEDER              | Item discontinued(5131039868) |               |
| 2026 78  | 1        | ZWISCHENFLANSCH    | Item discontinued(5131039869) |               |
| 2027 79  | 2        | KIPPHEBEL          | Item discontinued(5131039870) |               |
| 2028 80  | 1        | HUELSE             | Item discontinued(5131039871) |               |
| 2029 81  | 2        | BOLZEN             | Item discontinued(5131039872) |               |
| 2030 82  | 2        | VERRIEGEL.-ELEMENT | Item discontinued(5131039623) |               |
| 2031 83  | 1        | VERGASER           | Item discontinued(5131040101) |               |
| 2032 84  | 1        | BENZINLEITUNG      | Item discontinued(5131039874) |               |
| 2033 85  | 1        | FEDERKLEMME        | Item discontinued(5131039875) |               |
| 2034 86  | 1        | KIPPHEBEL          | Item discontinued(5131039876) |               |
| 2035 87  | 1        | SCHRAUBE           | Item discontinued(5131039877) |               |
| 2036 88  | 3        | MUTTER             | Item discontinued(5131039588) |               |
| 2037 89  | 1        | ANTRIEBSSCHAFT     | Item discontinued(5131039946) |               |
| 2038 90  | 2        | VENTIL             | Item discontinued(5131039947) |               |
| 2039 91  | 1        | DICHTUNG           | Item discontinued(5131039881) |               |
| 2040 92  | 1        | MITNEHMER          | Item discontinued(5131039948) |               |
| 2041 93  | 2        | STIFT              | Item discontinued(5131039883) |               |
| 2042 94  | 6        | SCHRAUBE           | Item discontinued(5131039884) |               |
| 2043 95  | 1        | DICHTUNG           | Item discontinued(5131039885) |               |
| 2044 96  | 4        | SCHRAUBE           | Item discontinued(5131039886) |               |
| 2045 97  | 1        | ZUENDKERZE         | 5131039887                    | 4058546049492 |
| 2046 98  | 2        | STANGE             | Item discontinued(5131039888) |               |
| 2047 99  | 1        | ABDECKUNG          | Item discontinued(5131039949) |               |
| 2048 100 | 13       | SCHRAUBE           | Item discontinued(5131039561) |               |

| Position | Quantity | Description       | Part number                   | EAN           |
|----------|----------|-------------------|-------------------------------|---------------|
| 2049 101 | 1        | DICHTUNG          | Item discontinued(5131039638) |               |
| 2050 102 | 1        | DECKEL            | Item discontinued(5131039639) |               |
| 2051 103 | 1        | SCHUTZ            | Item discontinued(5131039891) |               |
| 2052 104 | 1        | SCHRAUBE          | Item discontinued(5131039647) |               |
| 2053 105 | 1        | SCHWUNGRAD        | Item discontinued(5131039892) |               |
| 2054 106 | 1        | LUEFTER           | Item discontinued(5131039950) |               |
| 2055 107 | 1        | HUELSE            | Item discontinued(5131039951) |               |
| 2056 108 | 1        | MUTTER            | Item discontinued(5131039895) |               |
| 2057 109 | 1        | ZUENDANLAGE       | Item discontinued(5131039896) |               |
| 2058 110 | 2        | SCHRAUBE          | Item discontinued(5131039897) |               |
| 2059 111 | 1        | DISTANZSCHEIBE    | Item discontinued(5131039898) |               |
| 2060 112 | 1        | ISOLATOR          | Item discontinued(5131039899) |               |
| 2061 113 | 1        | DISTANZSCHEIBE    | 5131039900                    | 4058546049621 |
| 2062 114 | 1        | DISTANZSCHEIBE    | Item discontinued(5131039901) |               |
| 2063 115 | 1        | STANGE            | Item discontinued(5131039902) |               |
| 2064 116 | 1        | FEDER             | Item discontinued(5131039903) |               |
| 2065 117 | 1        | ZUGSTARTER        | 5131040102                    | 4058546051648 |
| 2066 118 | 1        | HALTERUNG         | Item discontinued(5131039905) |               |
| 2067 119 | 1        | LUFTFILTER        | 5131039953                    | 4058546050153 |
| 2068 120 | 1        | VERBINDUNGSSTUECK | Item discontinued(5131039907) |               |
| 2069 121 | 1        | HALTERUNG         | Item discontinued(5131039908) |               |
| 2070 122 | 1        | FEDER             | 5131039909                    | 4058546049713 |
| 2071 123 | 1        | VERSTAERKER       | Item discontinued(5131039659) |               |
| 2072 124 | 1        | MESSSTAB          | Item discontinued(5131039910) |               |
| 2073 125 | 2        | KIPPHEBEL         | Item discontinued(5131039913) |               |
| 2074 126 | 1        | BEFESTIGUNGSTEIL  | Item discontinued(5131039954) |               |