

RBC430SBD Motor-Sense 30 cc XXX

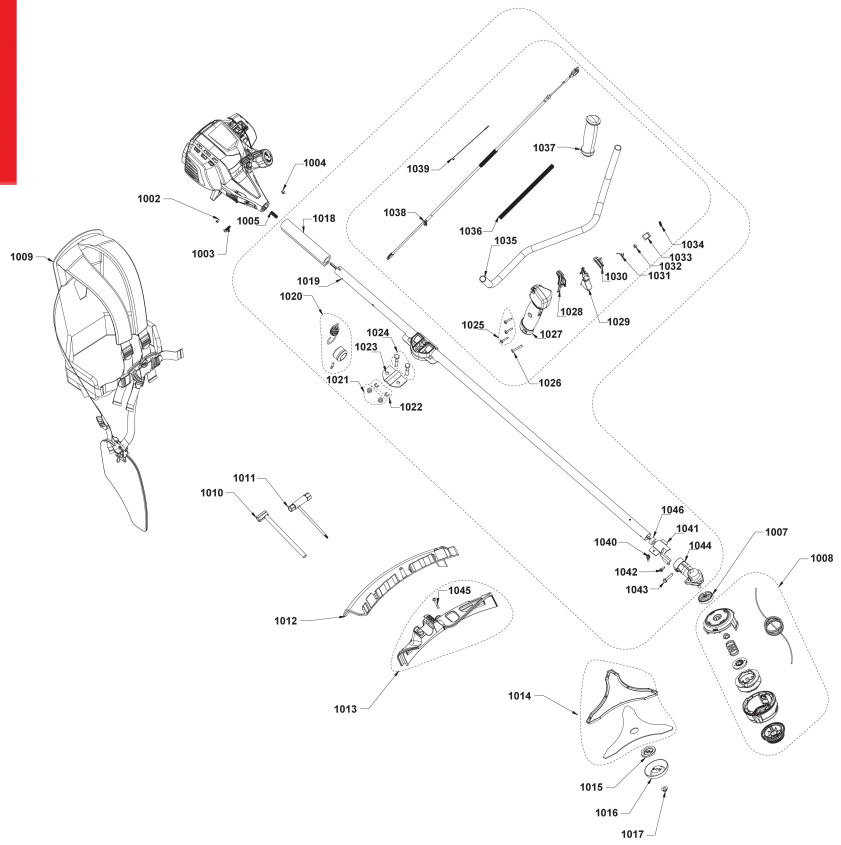
5133002923 - RBC430SBD - 4000462075

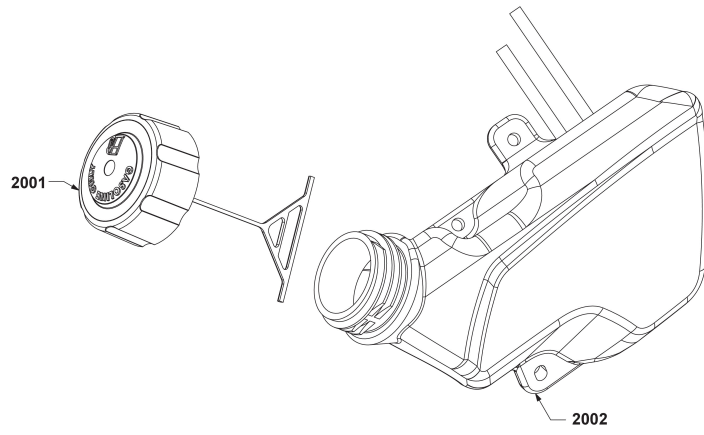


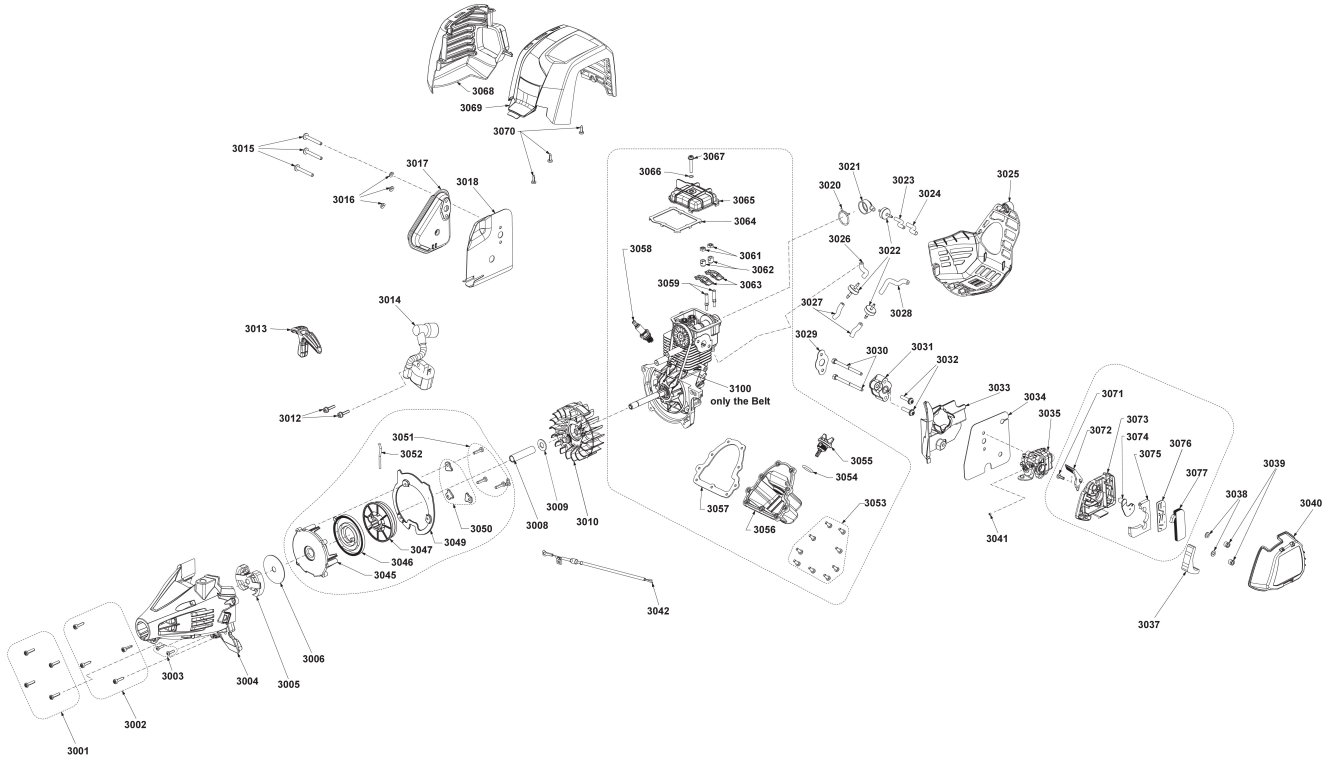




4000462075







| Position | Quantity | Description | Part number | EAN |
|----------|----------|--------------------------------------|-------------------------------|---------------|
| 1002 1 | 1 | SCHRAUBE | 5131034616 | 4058546142445 |
| 1003 2 | 1 | SCHRAUBE | 5131035135 | 4058546146351 |
| 1004 3 | 1 | Feder | 5131001907 | 4058546083700 |
| 1005 4 | 1 | MUTTER | 5131035136 | 4058546146368 |
| 1007 5 | 1 | SCHEIBE | 5131040667 | 4058546059316 |
| 1009 6 | 1 | Tragegurt | 5131035095 | 4058546146030 |
| 1010 7 | 1 | SCHLUESSEL | 5131038745 | 4058546018986 |
| 1011 8 | 1 | SCHLUESSEL | 5131035259 | 4058546147297 |
| 1012 9 | 1 | SCHUTZ | 5131039525 | 4058546043834 |
| 1013 10 | 1 | SCHUTZ | 5131039524 | 4058546043827 |
| 1014 11 | 1 | RAC117 TriArc Schlagmesser f. Sensen | 5132002668 | 4892210819734 |
| 1015 12 | 1 | SCHEIBE | 5131040668 | 4058546059323 |
| 1016 13 | 1 | SCHEIBE | 5131033940 | 4002395273072 |
| 1017 14 | 1 | MUTTER | 5131038736 | 4058546018894 |
| 1018 15 | 1 | GRIFF | Item discontinued(5131036649) | |
| 1019 16 | 1 | ANTRIEBSSCHAFT | 5131040669 | 4058546059330 |
| 1020 17 | 1 | KLEMMBUEGEL | 5131008553 | 4058546092955 |
| 1021 18 | 2 | Feder | 5131001886 | 4058546162399 |
| 1022 19 | 2 | FEDERKLEMME | 5131035679 | 4058546150839 |
| 1023 20 | 1 | KLEMME | Item discontinued(5131035064) | |
| 1024 21 | 2 | SCHRAUBE | Item discontinued(5131040670) | |
| 1025 22 | 3 | Schraube | 5131001850 | 4058546083533 |
| 1026 23 | 1 | Schraube | 5131001855 | 4058546083564 |
| 1027 24 | 1 | Handgriff Re | 5131001697 | 4058546082871 |
| 1028 25 | 1 | SPERRSTUECK | 5131034513 | 4058546141752 |
| 1029 26 | 1 | DRUECKER | 5131033813 | 4002395140459 |
| 1030 27 | 1 | KNOPF | Item discontinued(5131018496) | |
| 1031 28 | 1 | Feder Gashebel | 5131001887 | 4058546083656 |
| 1032 29 | 1 | Mutter | 5131001059 | 4058546080785 |
| 1033 30 | 1 | SCHALTER | Item discontinued(5131033814) | |
| 1034 31 | 1 | Feder | 5131001888 | 4058546083663 |
| 1035 32 | 1 | HANDGRIFF | 5131037828 | 4058546003425 |
| 1036 33 | 1 | Schutzhuelle | 5131001702 | 4058546082895 |
| 1037 34 | 1 | GRIFF | 5131035067 | 4058546145804 |
| 1038 35 | 1 | LEITUNG | Item discontinued(5131033850) | |
| 1039 36 | 1 | BAND | Item discontinued(5131013173) | |
| 1040 37 | 1 | SCHRAUBE | 5131040454 | 4058546055165 |
| 1041 38 | 1 | HALTERUNG | 5131040671 | 4058546059354 |
| 1042 39 | 1 | SCHRAUBE | 5131035057 | 4058546145729 |
| 1043 40 | 1 | SCHRAUBE | 5131035058 | 4058546145736 |
| 1044 41 | 1 | GETRIEBEKOPF | 5131040672 | 4058546059361 |
| 1045 42 | 1 | SCHRAUBE | 5131040459 | 4058546055219 |
| 1046 43 | 1 | DISTANZRING | 5131018499 | 4058546107154 |
| 2001 44 | 1 | STOPFEN | 5131034506 | 4058546141714 |
| 2002 45 | 1 | BEHAELTER | 5131033851 | 4002395143238 |
| 3001 46 | 4 | SCHRAUBE | 5131047770 | 4058546504069 |
| 3002 47 | 4 | SCHRAUBE | 5131011555 | 4058546098469 |
| 3003 48 | 2 | SCHRAUBE | Item discontinued(5131017775) | |
| 3004 49 | 1 | GEHAEUSE | 5131015983 | 4058546103088 |
| 3005 50 | 1 | Kupplung | 5131000573 | 4058546077990 |

| Position | Quantity | Description | Part number | EAN |
|----------|----------|---------------------|-------------------------------|---------------|
| 3006 51 | 1 | Distanzscheibe | 5131000909 | 4058546079826 |
| 3008 52 | 1 | Distanzhülse | 5131001827 | 4058546083410 |
| 3009 53 | 1 | Unterlegscheibe | 5131000946 | 4058546080051 |
| 3010 54 | 1 | LUeFTERRAD | Item discontinued(5131015969) | |
| 3012 55 | 2 | SCHRAUBE | 5131011554 | 4058546098452 |
| 3013 56 | 1 | GRIFF | 5131016028 | 4058546103163 |
| 3014 57 | 1 | ZUENDANLAGE | Item discontinued(5131033852) | |
| 3015 58 | 3 | BOLZEN | Item discontinued(5131018509) | |
| 3016 59 | 3 | SCHEIBE | Item discontinued(5131035758) | |
| 3017 60 | 1 | SCHALLDAEMPFER | Item discontinued(5131034470) | |
| 3018 61 | 1 | DICHTUNG | 5131016282 | 4058546067847 |
| 3020 62 | 1 | KLEMME | 5131034485 | 4058546141523 |
| 3021 63 | 1 | MOOSGUMMI | Item discontinued(5131034484) | |
| 3022 64 | 3 | VENTIL | 5131015965 | 4058546102982 |
| 3023 65 | 1 | MOOSGUMMI | 5131016449 | 4058546067854 |
| 3024 66 | 1 | HUELSE | 5131033853 | 4002395143252 |
| 3025 67 | 1 | ABDECKUNG | 5131033854 | 4002395143269 |
| 3026 68 | 1 | VERLAENGER.SCHLAUCH | 5131016101 | 4058546103323 |
| 3027 69 | 2 | VERLAENGER.SCHLAUCH | 5131016102 | 4058546103330 |
| 3028 70 | 1 | HUELSE | 5131033855 | 4002395143276 |
| 3029 71 | 1 | DICHTUNG | 5131018066 | 4058546106966 |
| 3030 72 | 2 | BOLZEN | 5131034493 | 4058546141608 |
| 3031 73 | 1 | DAEMPfungSELEMENT | 5131033856 | 4002395143283 |
| 3032 74 | 2 | SCHRAUBE | Item discontinued(5131019120) | |
| 3033 75 | 1 | ABWEISER | 5131034490 | 4058546141578 |
| 3034 76 | 1 | DICHTUNG | 5131033857 | 4002395143290 |
| 3035 77 | 1 | VERGASER | 5131033858 | 4002395140503 |
| 3037 78 | 1 | FILTERHALTER | 5131033859 | 4002395140510 |
| 3038 79 | 2 | SCHEIBE | 5131034504 | 4058546141691 |
| 3039 80 | 2 | MUTTER | Item discontinued(5131034469) | |
| 3040 81 | 1 | DECKEL | 5131016465 | 4058546171469 |
| 3041 82 | 1 | MOOSGUMMI | Item discontinued(5131034503) | |
| 3042 83 | 1 | NYLONFADEN | Item discontinued(5131015967) | |
| 3045 84 | 1 | AUFNAHME | 5131017406 | 4058546105365 |
| 3046 85 | 1 | Feder u. Gehäuse | 5131000906 | 4058546079802 |
| 3047 86 | 1 | RIEMENSCHLEIBE | 5131034468 | 4058546141370 |
| 3049 87 | 1 | PLATTE | 5131016077 | 4058546103279 |
| 3050 88 | 3 | HALTER | 5131001831 | 4058546083434 |
| 3051 89 | 3 | SCHRAUBE | 5131047770 | 4058546504069 |
| 3052 90 | 1 | Starter Seil | 5131001185 | 4058546081409 |
| 3053 91 | 9 | SCHRAUBE | Item discontinued(5131011543) | |
| 3054 92 | 1 | O-RING | Item discontinued(5131016094) | |
| 3055 93 | 1 | MESSGERÄT | 5131016053 | 4058546103187 |
| 3056 94 | 1 | GEHÄUSE | 5131033861 | 4002395140534 |
| 3057 95 | 1 | DICHTUNG | 5131016099 | 4058546103316 |
| 3058 96 | 1 | ZUENDKERZE | 5131016267 | 4058546103682 |
| 3059 97 | 2 | DRUCKBOLZEN | 5131034480 | 4058546141479 |
| 3061 98 | 2 | MUTTER | 5131034477 | 4058546141448 |
| 3062 99 | 2 | BUNDBUCHSE | Item discontinued(5131034478) | |
| 3063 100 | 2 | WIPPE | 5131034479 | 4058546141462 |

| Position | Quantity | Description | Part number | EAN |
|----------|----------|----------------------------------|-------------------------------|---------------|
| 3064 101 | 1 | DICHTUNG | 5131034476 | 4058546141431 |
| 3065 102 | 1 | DECKEL | 5131034475 | 4058546141424 |
| 3066 103 | 1 | O-RING | 5131033862 | 4002395140541 |
| 3067 104 | 1 | SCHRAUBE | Item discontinued(5131018604) | |
| 3068 105 | 1 | PLATTE | 5131016077 | 4058546103279 |
| 3069 106 | 1 | GEHAEUSE | 5131034471 | 4058546141394 |
| 3070 107 | 3 | SCHRAUBE | Item discontinued(5131033863) | |
| 3071 108 | 1 | SCHRAUBE | Item discontinued(5131011457) | |
| 3072 109 | 1 | ARM | 5131036281 | 4058546156527 |
| 3073 110 | 1 | DECKEL | 5131036282 | 4058546156534 |
| 3074 111 | 1 | PLATTE | 5131034501 | 4058546141660 |
| 3075 112 | 1 | FILZ | 5131034499 | 4058546141646 |
| 3076 113 | 1 | ABWEISER | 5131034500 | 4058546141653 |
| 3077 114 | 1 | MOOSGUMMI | 5131034502 | 4058546141677 |
| 3100 115 | 1 | RIEMEN | 5131016278 | 4058546103736 |
| 1008 116 | 1 | RAC150 ReelEasy Fadenaufwicklung | Item discontinued(5132003334) | |