

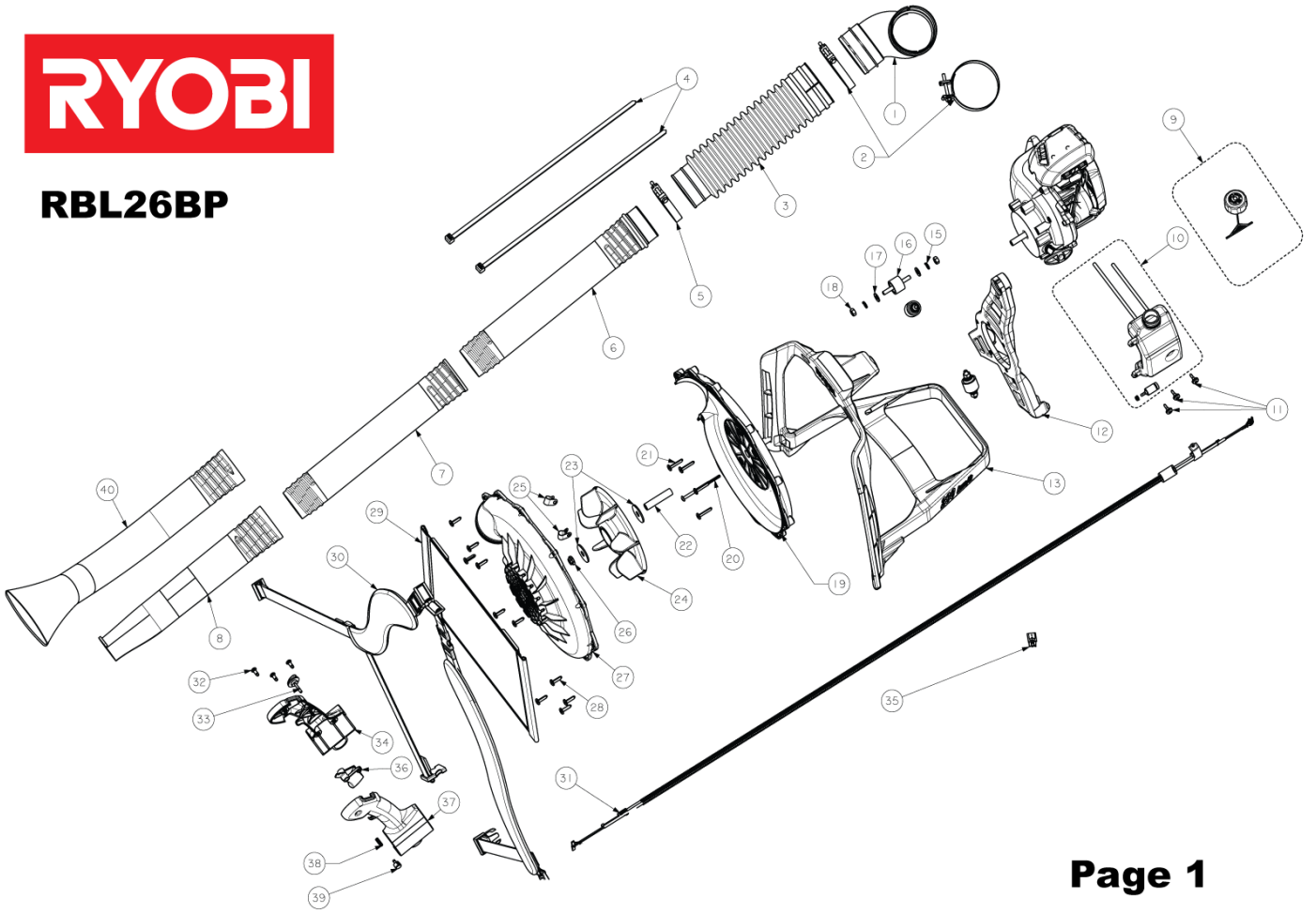
RBL26BP Motorgebläse IN2

5133001815 - RBL26BP - 4000462082



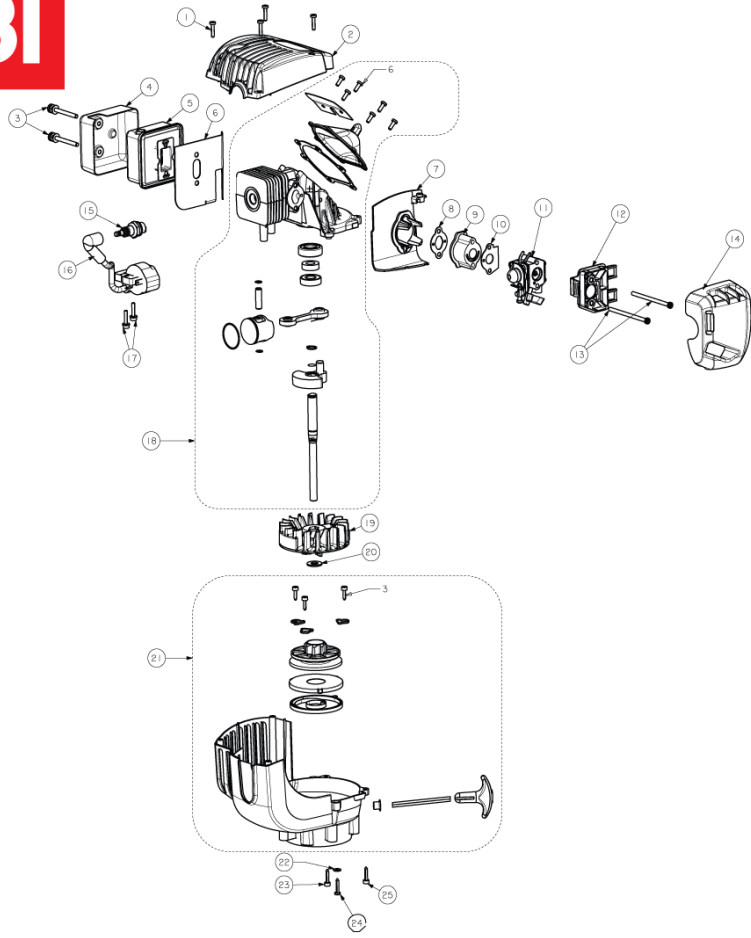


RBL26BP



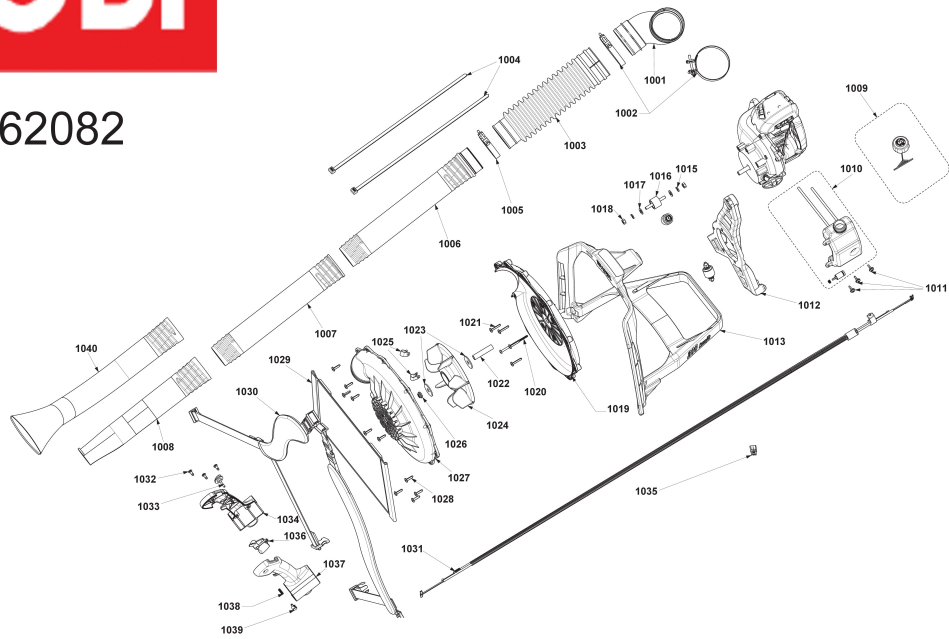


**RBL26BP
(HG)**



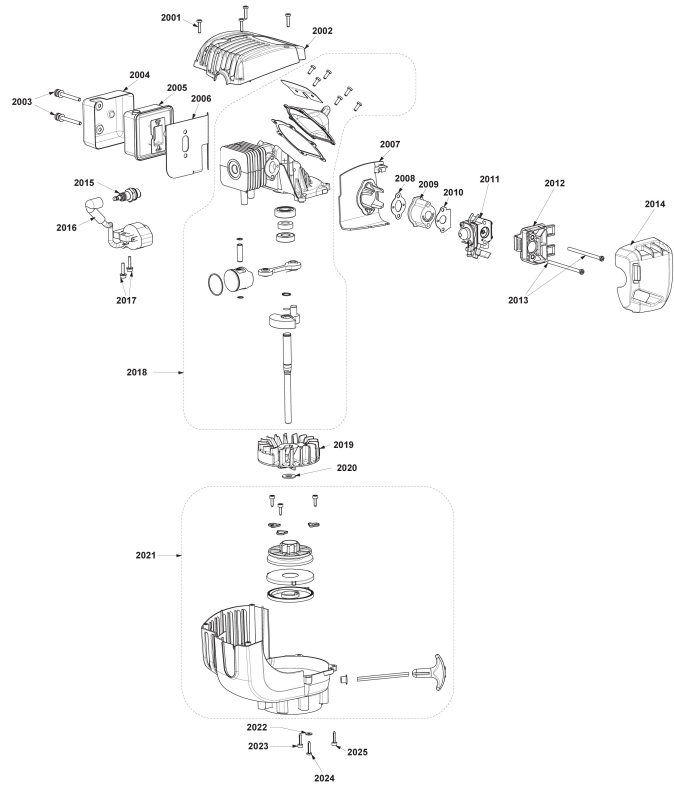


4000462082





4000462082



Position	Quantity	Description	Part number	EAN
1_001 1	1	ROHR	5131034618	4058546056599
1_002 2	2	Klemme	5131001825	4058546083397
1_003 3	1	SAUGROHR	Item discontinued(5131034619)	
1_004 4	2	BEFESTIGUNGSGURT	Item discontinued(5131013223)	
1_005 5	1	Klemme	5131001826	4058546083403
1_006 6	1	ROHR	5131034620	4058546142476
1_007 7	1	ROHR	5131034621	4058546142483
1_008 8	1	DUESE	Item discontinued(5131034622)	
1_009 9	1	STOPFEN	Item discontinued(5131020281)	
1_010 10	1	BEHAELTER	5131034623	4058546142506
1_011 11	3	SCHRAUBE TANKBEFESTIGUNG	5131011556	4058546098476
1_012 12	1	KONSOLE	5131034624	4058546142513
1_013 13	1	HALTER	Item discontinued(5131009192)	
1_015 14	6	SCHEIBE	5131017839	4058546106522
1_016 15	3	Daempfer	5131001777	4058546083168
1_017 16	6	SCHEIBE	Item discontinued(5131011779)	
1_018 17	6	MUTTER	5131011781	4058546098674
1_019 18	1	GEHAEUSE	Item discontinued(5131034625)	
1_020 19	1	SCHRAUBE	5131011558	4058546098483
1_021 20	1	SCHRAUBE	Item discontinued(5131011500)	
1_022 21	1	Distanzstueck	5131001821	4058546083380
1_023 22	2	SCHEIBE	Item discontinued(5131017654)	
1_024 23	1	Luefterfluegel	Item discontinued(5131000752)	
1_025 24	1	Kabelklemme	5131001901	4058546056704
1_026 25	1	Mutter 3/8x70	5131001016	4058546080501
1_027 26	1	GEHAEUSE	5131019092	4058546056629
1_028 27	10	SCHRAUBE	5131019095	4058546056735
1_029 28	1	SCHUTZVORRICHTUNG	5131013250	4058546056636
1_030 29	1	TRAGSCHLAUFE	5131019117	4058546107888
1_031 30	1	LEITUNG	5131034626	4058546142537
1_032 31	3	SCHRAUBE	5131011497	4058546098124
1_033 32	1	Plastik Knopf	5131001792	4058546083274
1_034 33	1	HANDGRIFF	Item discontinued(5131034627)	
1_035 34	1	SCHALTER	5131016261	4058546103668
1_036 35	1	DRUECKER	Item discontinued(5131034628)	
1_037 36	1	HANDGRIFF	5131034629	4058546056100
1_038 37	1	Feder	Item discontinued(5131001900)	
1_039 38	1	VERSCHLUSS	Item discontinued(5131034630)	
1_040 39	1	DUESE	5131034631	4058546142568
1001 40	1	ROHR	5131034618	4058546056599
1002 41	2	Klemme	5131001825	4058546083397
1003 42	1	SAUGROHR	Item discontinued(5131034619)	
1004 43	2	BEFESTIGUNGSGURT	Item discontinued(5131013223)	
1005 44	1	Klemme	5131001826	4058546083403
1006 45	1	ROHR	5131034620	4058546142476
1007 46	1	ROHR	5131034621	4058546142483
1008 47	1	DUESE	Item discontinued(5131034622)	
1009 48	1	STOPFEN	Item discontinued(5131020281)	
1010 49	1	BEHAELTER	5131034623	4058546142506
1011 50	3	SCHRAUBE TANKBEFESTIGUNG	5131011556	4058546098476

Position	Quantity	Description	Part number	EAN
1012 51	1	KONSOLE	5131034624	4058546142513
1013 52	1	TRAEGER	5131039357	4058546042158
1015 53	6	SCHEIBE	5131017839	4058546106522
1016 54	3	Daempfer	5131001777	4058546083168
1017 55	6	SCHEIBE	Item discontinued(5131011779)	
1018 56	6	MUTTER	5131011781	4058546098674
1019 57	1	GEHAEUSE	Item discontinued(5131034625)	
1020 58	1	SCHRAUBE	5131011558	4058546098483
1021 59	4	SCHRAUBE	Item discontinued(5131011500)	
1022 60	1	Distanzstueck	5131001821	4058546083380
1023 61	2	SCHEIBE	Item discontinued(5131017654)	
1024 62	1	Luefterfluegel	Item discontinued(5131000752)	
1025 63	2	Kabelklemme	5131001901	4058546056704
1026 64	1	Mutter 3/8x70	5131001016	4058546080501
1027 65	1	MOTORGEHAEUSE	Item discontinued(5131019092)	
1028 66	10	SCHRAUBE	5131019095	4058546056735
1029 67	1	SCHUTZVORRICHTUNG	5131013250	4058546056636
1030 68	1	TRAGSCHLAUFE	5131019117	4058546107888
1031 69	1	LEITUNG	5131034626	4058546142537
1032 70	3	SCHRAUBE	5131011497	4058546098124
1033 71	1	Plastik Knopf	5131001792	4058546083274
1034 72	1	HANDGRIFF	Item discontinued(5131034627)	
1035 73	1	SCHALTER	5131040144	4058546052065
1036 74	1	DRUECKER	Item discontinued(5131034628)	
1037 75	1	HANDGRIFF	5131034629	4058546056100
1038 76	1	Feder	Item discontinued(5131001900)	
1039 77	1	VERSCHLUSS	Item discontinued(5131034630)	
1040 78	1	DUESE	5131034631	4058546142568
2_001 79	4	SCHRAUBE	5131047770	4058546504069
2_002 80	1	GEHAEUSEKAPPE	5131009190	4058546067557
2_003 81	2	Schraube	5131001007	4058546080457
2_004 82	1	Abdeckung	5131001832	4058546056087
2_005 83	1	AUSPUFF	5131017312	4058546056070
2_007 84	1	Anschluss	5131001750	4058546056728
2_008 85	1	DICHTUNG	5131013247	4058546100629
2_009 86	1	HITZESCHUTZ	5131009178	4058546094119
2_010 87	1	Dichtung	5131001211	4058546081560
2_011 88	1	VERGASER	5131028856	4058546116781
2_012 89	1	GRUNDPLATTE	Item discontinued(5131009213)	
2_013 90	2	SCHRAUBE	5131026721	4058546110864
2_014 91	1	DECKEL	Item discontinued(5131028870)	
2_015 92	1	Zuendkerze	5131001166	4043673001628
2_016 93	1	SPULE	Item discontinued(5131028369)	
2_017 94	2	SCHRAUBE	5131011554	4058546098452
2_018 95	1	RUMPFMOTOR	Item discontinued(5131034608)	
2_019 96	1	SCHWUNGRAD	Item discontinued(5131028853)	
2_020 97	1	Unterlegscheibe	5131000946	4058546080051
2_021 98	1	ZUGSTARTER	Item discontinued(5131034609)	
2_022 99	1	WASHER PBC254YES	5131035879	4058546152680
2_023 100	3	SCHRAUBE	5131011555	4058546098469

Position	Quantity	Description	Part number	EAN
2_024 101	1	SCHRAUBE	Item discontinued(5131011557)	
2_025 102	1	SCHRAUBE	5131011555	4058546098469
2001 103	4	SCHRAUBE	5131047770	4058546504069
2002 104	1	GEHAEUSE	Item discontinued(5131034606)	
2003 105	2	Schraube	5131001007	4058546080457
2004 106	1	Abdeckung	5131001832	4058546056087
2005 107	1	AUSPUFF	5131017312	4058546056070
2006 108	1	DICHTUNG	5131034607	4058546056063
2007 109	1	Anschluss	5131001750	4058546056728
2008 110	1	DICHTUNG	5131013247	4058546100629
2009 111	1	HITZESCHUTZ	5131009178	4058546094119
2010 112	1	Dichtung	5131001211	4058546081560
2011 113	1	VERGASER	5131028856	4058546116781
2012 114	1	GRUNDPLATTE	Item discontinued(5131009213)	
2013 115	2	SCHRAUBE	5131026721	4058546110864
2014 116	1	DECKEL	Item discontinued(5131028870)	
2015 117	1	Zuendkerze	5131001166	4043673001628
2016 118	1	SPULE	Item discontinued(5131028369)	
2017 119	2	SCHRAUBE	5131011554	4058546098452
2018 120	1	RUMPFMOTOR	Item discontinued(5131034608)	
2019 121	1	SCHWUNGRAD	Item discontinued(5131028853)	
2020 122	1	Unterlegscheibe	5131000946	4058546080051
2021 123	1	ZUGSTARTER	Item discontinued(5131034609)	
2022 124	1	SCHEIBE	5131035879	4058546152680
2023 125	1	SCHRAUBE	5131011555	4058546098469
2024 126	1	SCHRAUBE	Item discontinued(5131011557)	
2025 127	1	SCHRAUBE	5131011555	4058546098469